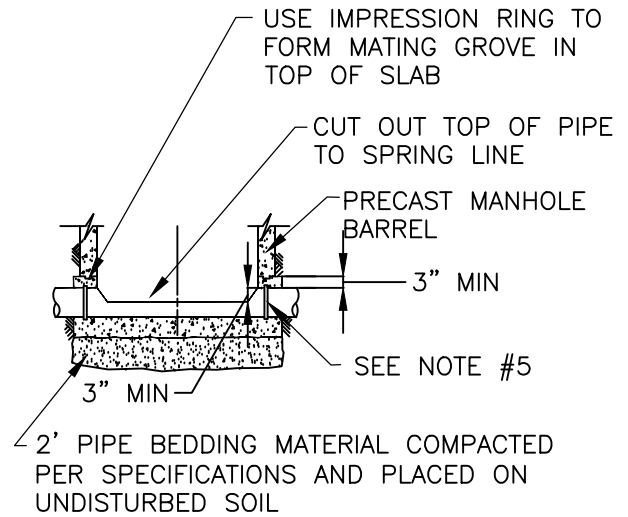


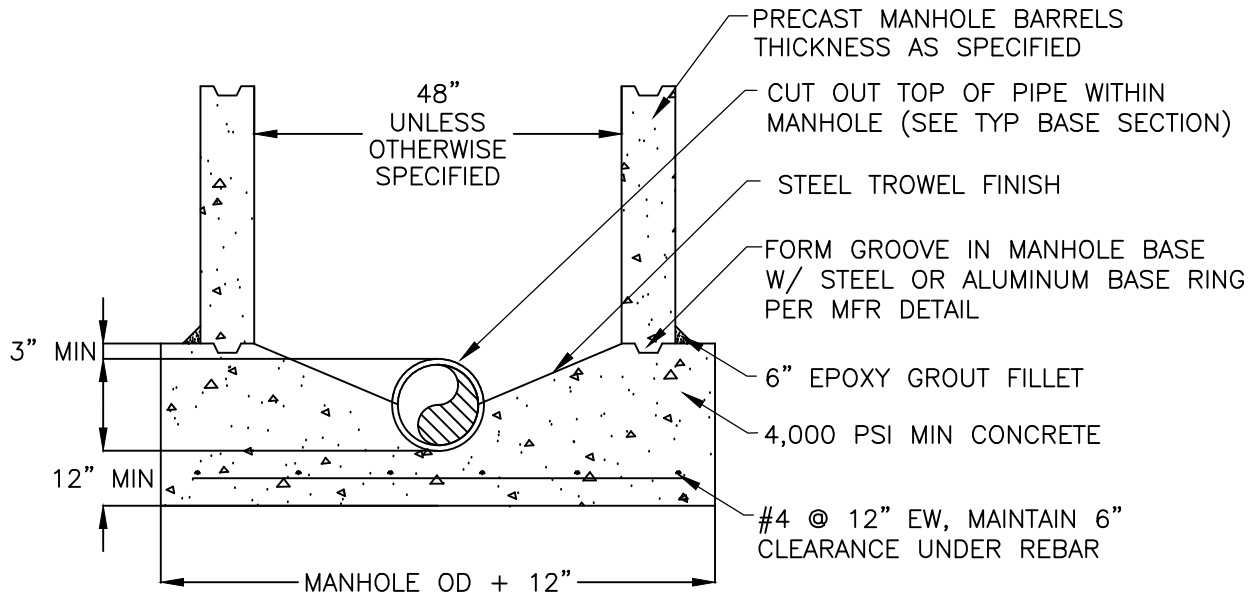
BRANCH INLET – TYPICAL SECTION

NO SCALE



MANHOLE BASE – TYPICAL SECTION

NO SCALE



NOTES:

- 1) MANHOLE PENETRATIONS THAT MAKE TRANSITION FROM DIFFERING PIPE MATERIALS AT THE CENTER OF THE MANHOLE, INSTALL A TWELVE INCH (12") LONG "U" SHAPED OPEN CHANNEL TRANSITION SECTION OF HAND FORMED CONCRETE TO PROVIDE A UNIFORM TRANSITION BETWEEN THE TWO PIPE MATERIALS.
- 2) ALL MANHOLE PIPE PENETRATIONS SHALL BE PROVIDED WITH A FLANGE OR OTHER SUBSTANTIAL DEVICE WELDED ONTO OR CAST INTEGRALLY WITH THE PIPE. SUCH DEVICE SHALL BE SUBJECT TO THE ENGINEER'S REVIEW AND SHALL BE ADEQUATE TO RESTRAIN LATERAL MOVEMENT DUE TO TEMPERATURE DIFFERENTIALS IN THE PIPE. FOR MANHOLES WITH PVC PIPE CONNECTIONS, FOR A WATERTIGHT SEAL TO BE ACHIEVED THE CONTRACTOR SHALL UTILIZE A FLEXIBLE ELASTOMERIC GASKET MATERIAL CAPABLE OF ACCOMMODATING THE DIFFERENTIAL THERMAL EXPANSION AND CONTRACTION BETWEEN THE CONCRETE AND PVC PIPE.
- 3) BASE OF MANHOLE SHOULD BE SMOOTH AND CONTOURED TO SLOPE TOWARDS PIPE.



MANHOLE BASE

NO SCALE

DATE: JUL 2016	SCALE: NO SCALE	DRAWN: MAM	FILE: STANDARDS	SHEET: S7-D3
-------------------	--------------------	---------------	--------------------	-----------------

SEWER DETAILS



SOUTH TAHOE PUBLIC UTILITY DISTRICT

Sewer . 1950 . Water A PUBLIC AGENCY
 1275 Meadow Crest Drive South Lake Tahoe, California 96150
 Phone (530) 544-6474 Fax (530) 541-4319
 WWW.STPUD.US