

ADDENDUM NO. 1

SPECIFICATIONS

AND

CONTRACT DOCUMENTS

FOR

2026 Pioneer Trail Waterline Project (REBID)

South Tahoe Public Utility District

South Lake Tahoe, California

May 29, 2026

GENERAL NOTES:

- The Mandatory Pre-Bid Meeting was held on May 20, 2026. The sign-in sheet and presentation from that meeting has been posted for Contractor reference on Planet Bids.
- This addendum adds a bid item to allow for gate valves instead of, or in addition to, butterfly valves, based on contractor and supplier concerns related to BABA compliant valve availability.
- An updated Bid Form is provided for reference, adding a bid item for gate valves and updated the number of trees to be removed.
- This addendum adds a requirement for the provision of Builder's Risk coverage.
- Updated prevailing wage
- There is no change to the bid opening date.
- As a reminder, hard copy bid bond MUST be received by the District prior to bid opening.

THE FOLLOWING CHANGES ARE TO BE MADE TO THE PLANS:

1. Sheet D5, Detail 3, Tree Removal Table, following the last line.

ADD: The information in quotes by column reflecting the addition of 26" pine:
ID "14", Sheet "P2", Diameter (IN) "26", Type "PINE"

THE FOLLOWING CHANGES ARE TO BE MADE TO THE SPECIFICATIONS:

1. Volume 1, Specifications and Contract Documents, cover page.

REPLACE: Existing cover page, dated 2025

WITH: Attached cover page, dated 2026.

2. Section 00 41 00 – Bid Forms, Page 36, following Bid Item 31 description.

Add:

Bid Item 32 – 16-inch Gate Valve Option - Bid item is for the added cost of supplying, handling, and installing 16-inch diameter gate valves instead of butterfly valves, at locations shown on the plans. The cost of 16-inch diameter butterfly valves remains incidental, as applicable, to Bid Item 9 - 16-inch DIP Water Main, Class 300 and Bid Items 20 through 24 – Waterline Interties.

Bid item will only be utilized at the direction of the District based on documented availability, or lack thereof, of compliant butterfly valves that jeopardize project implementation due to BABA compliant material lead times as documented in the CONTRACTOR's approved schedule.

The CONTRACTOR'S payment for this item shall be by the Each. The CONTRACTOR's unit price shall be valid for an actual quantity ranging from 0 to the estimated quantity indicated on the Bid Form.

3. Section 00 41 00 – Bid Forms, Pages 41 and 42.

REPLACE: Bid Forms dated May 2026..

WITH: Updated Bid Forms, dated May 29, 2026, as attached, modifying the quantity for Bid Item No. 6 – Tree Removal and adding Bid Item No. 32

4. Section 00 73 00 Supplementary Conditions, 2.01 Insurance, sub item O., following 4. Excess/Umbrella Liability.

REPLACE: “5. Not Used.”

WITH: “5. Builder's Risk: (Course of Construction) the Contractor shall provide Builder's Risk "All-Risk" Completed Value Insurance and/or Inland Marine All Risk Installation Floater Insurance, as may be applicable, in an amount equal to the Contract price for the entire project which is the subject of the Contract, including completed work and work in progress. This insurance shall be in effect until the work is completed and accepted by the District. This insurance shall cover, including but not limited to, fire, lightning, wind storms, hail, explosion, riot, riot attending a strike, civil commotion, smoke damage, damage by aircraft or vehicles, vandalism and malicious mischief, theft and collapse. The insurance shall be written in a completed form with losses payable to the Contractor and owner, as their interests may appear. The Builder's Risk policy shall also include the provisions and/or endorsements required in Other Provisions, Part 2.01.O.6.e of this Section.”

5. Section 00 73 00 Supplementary Conditions, 2.01 Insurance, sub item O.6.e

REPLACE: “e. Not Used”

WITH: “e. The Contractor's Builders Risk policy shall contain the following provisions:

- 1) Coverage is amended to include the South Tahoe Public Utility District as an additional insured and as the loss payee.
- 2) For any claims related to this Contract, the Contractor's insurance coverage shall be primary insurance as respects the District. Any insurance or self-insurance maintained by the District shall be excess of the Contractor's insurance and shall not contribute with it.
- 3) The insurer waives any and all transfer rights of recovery (subrogation) it may have against the South Tahoe Public Utility District.
- 4) Any failure to comply with the claim reporting provisions of the policies or any breach of a policy warranty shall not affect coverage under the policy applicable to the Additional Insureds.”

6. Section 00 73 00 Supplementary Conditions, Exhibit B, Wage Determinations, Residential

REPLACE: Attachment General Decision Number: CA20260019 01/30/2026, with date stamp of 3/9/2026, 3:29 PM

WITH: General Decision Number: CA20260019 05/18/2026, attached.

7. Section 00 73 00 Supplementary Conditions, Exhibit B, Wage Determinations, Building, Heavy (Heavy and Dredging) and Highway

REPLACE: Attachment General Decision Number: CA20260007 01/23/2026, with date stamp of 3/9/2026, 3:30 PM

WITH: General Decision Number: CA20260007 05/18/2026, attached.

This Addendum No. 1, pages 1 through 129 shall become part of the Contract and all provisions of the Contract shall apply therein.

The date and time for the Bid Opening has not changed. The time provided for the completion of the Contract has not changed.

The District appreciates the questions received and Contractor interest in this Project.

SOUTH TAHOE PUBLIC UTILITY DISTRICT

May 29, 2026



Trevor Coolidge, P.E.
Senior Engineer
Ph. (530) 543-6278

Attached:

Contract Plans and Specifications Cover Page, dated 2026

Bid Forms, dated May 29, 2026

Wage Determination, Residential, General Decision Number: CA20260019 05/18/2026

Wage Determination, Building, Heavy, General Decision Number: CA20260007 05/18/2026

**SPECIFICATIONS
AND
CONTRACT DOCUMENTS FOR THE**

**2026 PIONEER TRAIL WATERLINE PROJECT (REBID)
(PTRLWL)**



**SOUTH TAHOE PUBLIC UTILITY DISTRICT
SOUTH LAKE TAHOE, CALIFORNIA**

May 8, 2026

**CONSTRUCTION OF
2026 Pioneer Trail Waterline Project (Rebid)
FOR
SOUTH TAHOE PUBLIC UTILITY DISTRICT**

THE BID SCHEDULE IS TO BE COMPLETED ELECTRONICALLY IN THE ELECTRONIC BIDDING SYSTEM AND IS INCLUDED HERE FOR INFORMATION PURPOSES ONLY.

BID SCHEDULE A: (Refer to Bid Descriptions for a more detailed description for each of the following bid items)

Item No.	Description	Unit of Measure	Approx. Quantity	Unit Price	Line Total
1	Mobilization and Demobilization	LS	1		
2	Erosion Control/BMPs/SWPPP Compliance	LS	1		
3	Groundwater Dewatering	LS	1		
4	Traffic Control	LS	1		
5	Sheeting, Shoring and Bracing or Equivalent Method	LS	1		
6	Tree Removal	EA	14		
7	Project Layout and Waterline Surveying	LS	1		
8	As- Directed Pothole	EA	10		
9	16-inch DIP Water Main, Class 250	LF	8700		
10	12-Inch DIP Water Main, Class 350	LF	200		
11	8-Inch DIP Water Main, Class 350	LF	360		
12	Additional 1-foot Pipeline Depth	LF	420		
13	Waterline Non-Excavatable Rock Removal	CY	200		
14	2-inch Poly Service	LF	180		
15	3/4-inch Services	EA	2		
16	Fire Hydrant	EA	13		
17	Golden Bear Trail Pressure Reducing Valve Station	LS	1		
18	Jicarilla Drive Pressure Reducing Valve Station	LS	1		
19	Susquehana Drive Pressure Reducing Valve Station	LS	1		
20	Tie-In #1 - Near Marshall and Cattlemans (P9)	LS	1		
21	Tie-In #2 - Kokanee/Pioneer (P9)	LS	1		

Item No.	Description	Unit of Measure	Approx. Quantity	Unit Price	Line Total
22	Tie-In #3 - Golden Bear /Pioneer (Sheet P8)	LS	1		
23	Tie-In #4 - Jicarilla/Pioneer (Sheet P2)	LS	1		
24	Tie-In #5 - Sus/Pioneer (Sheet P1)	LS	1		
25	Abandon Water Main Blow-off	EA	1		
26	Abandon Water Main Valves	EA	4		
27	Abandon PRV Vault, Golden Bear PRV at Marshall	EA	1		
28	Abandon 6-inch and Larger Waterlines with Slurry	CY	45		
29	Waterline 8-inch Trench Patch	SF	27000		
30	Waterline 3-Inch Mill and Overlay	SF	48000		
31	Fire Hydrant Removal	EA	2		
32	16-inch Gate Valve Option	EA	15		

THE BID SCHEDULE IS TO BE COMPLETED ELECTRONICALLY IN THE ELECTRONIC BIDDING SYSTEM AND IS INCLUDED HERE FOR INFORMATION PURPOSES ONLY.

END OF BID SCHEDULE

"General Decision Number: CA20260019 05/18/2026

State: California

Construction Types: Residential

Counties: California Counties of Alameda, Contra Costa, El Dorado, Marin, Monterey, Napa, Placer, Sacramento, San Benito, San Francisco, San Mateo, Santa Clara, Santa Cruz, Solano, Sonoma, Sutter, Yolo and Yuba

RESIDENTIAL CONSTRUCTION PROJECTS (consisting of single family homes and apartments up to and including 4 stories)

Modification Number	Publication Date
4	01/30/2026
5	05/18/2026

ASBE0016-002 01/01/2024

	Rates	Fringes
ASBESTOS WORKERS/INSULATOR: INCLUDES THE APPLICATION OF ALL INSULATING MATERIALS, PROTECTIVE COVERINGS, COATINGS, AND FINISHES TO ALL TYPES OF MECHANICAL SYSTEMS (AREA 2: EL DORADO, MONTEREY, PLACER, SACRAMENTO, SAN BENITO, SANTA CRUZ, SOLANO, SONOMA, SUTTER, YOLO, & YUBA COUNTIES).....	\$ 64.56	25.07
ASBESTOS WORKERS/INSULATOR: INCLUDES THE APPLICATION OF ALL INSULATING MATERIALS, PROTECTIVE COVERINGS, COATINGS, AND FINISHES TO ALL TYPES OF MECHANICAL SYSTEMS (AREA 1: ALAMEDA, CONTRA COSTA, MARIN, NAPA, SAN FRANCISCO, SAN MATEO & SANTA CLARA COUNTIES).....	\$ 84.76	25.07

ASBE0016-009 05/01/2024

	Rates	Fringes
ASBESTOS REMOVAL WORKER/HAZARDOUS MATERIAL HANDLER: INCLUDES PREPARATION, WETTING, STRIPPING, REMOVAL, SCRAPPING, VACUUMING, BAGGING AND DISPOSING OF ALL INSULATION MATERIALS FROM MECHANICAL SYSTEMS, WHETHER THEY CONTAIN ASBESTOS OR NOT (AREA 1: EL DORADO, MONTEREY, PLACER, SACRAMENTO, SAN BENITO, SANTA CRUZ, SOLANO, SANOMA, SUTTER, YOLO & YUBA COUNTIES).....	\$ 34.56	11.40
ASBESTOS REMOVAL WORKER/HAZARDOUS MATERIAL HANDLER: INCLUDES PREPARATION, WETTING, STRIPPING, REMOVAL, SCRAPPING, VACUUMING, BAGGING AND DISPOSING OF ALL INSULATION MATERIALS FROM MECHANICAL SYSTEMS, WHETHER THEY CONTAIN ASBESTOS OR NOT (AREA 2: ALAMEDA, CONTRA COSTA, MARIN, NAPA, SAN FRANCISCO, SAN MATEO & SANTA CLARA COUNTIES).....	\$ 36.53	9.27

BRCA0003-001 08/01/2024

	Rates	Fringes
MARBLE FINISHER.....	\$ 42.06	19.80

BRCA0003-002 05/01/2024

	Rates	Fringes
BRICKLAYER: (16) MONTEREY, SANTA CRUZ SPECIALTY PAY: (A) UNDERGROUND WORK SUCH AS TUNNEL WORK, SEWER WORK, MANHOLES, CATCH BASINS, SEWER PIPES AND TELEPHONE CONDUIT SHALL BE PAID \$1.25 PER HOUR ABOVE THE REGULAR RATE. WORK IN DIRECT CONTACT WITH RAW SEWAGE SHALL RECEIVE \$1.25 PER HOUR IN ADDITION TO THE ABOVE. (B) OPERATING A SAW OR GRINDER SHALL RECEIVE \$1.25 PER HOUR ABOVE THE REGULAR RATE. (C) GUNITE NOZZLE PERSON SHALL RECEIVE \$1.25 PER HOUR ABOVE THE REGULAR RATE.....	\$ 54.18	27.82
BRICKLAYER: (9) EL DORADO, PLACER, SACRAMENTO, SUTTER SPECIALTY PAY: (A) UNDERGROUND WORK SUCH AS TUNNEL WORK, SEWER WORK, MANHOLES, CATCH BASINS, SEWER PIPES AND TELEPHONE CONDUIT SHALL BE PAID \$1.25 PER HOUR ABOVE THE REGULAR RATE. WORK IN DIRECT CONTACT WITH RAW SEWAGE SHALL RECEIVE \$1.25 PER HOUR IN ADDITION TO THE ABOVE. (B) OPERATING A SAW OR GRINDER SHALL RECEIVE \$1.25 PER HOUR ABOVE THE REGULAR RATE. (C) GUNITE NOZZLE PERSON SHALL RECEIVE \$1.25 PER HOUR ABOVE THE REGULAR RATE.....	\$ 52.76	25.01
BRICKLAYER: (8) ALAMEDA, CONTRA COSTA, SAN BENITO, SANTA CLARA SPECIALTY PAY: (A) UNDERGROUND WORK SUCH AS TUNNEL WORK, SEWER WORK, MANHOLES, CATCH BASINS, SEWER PIPES AND TELEPHONE CONDUIT SHALL BE PAID \$1.25 PER HOUR ABOVE THE REGULAR RATE. WORK IN DIRECT CONTACT WITH RAW SEWAGE SHALL RECEIVE \$1.25 PER HOUR IN ADDITION TO THE ABOVE. (B) OPERATING A SAW OR GRINDER SHALL RECEIVE \$1.25 PER HOUR ABOVE THE REGULAR RATE. (C) GUNITE NOZZLE PERSON SHALL RECEIVE \$1.25 PER HOUR ABOVE THE REGULAR RATE.....	\$ 56.94	26.28
BRICKLAYER: (7) MARIN, NAPA, SAN FRANCISCO, SAN MATEO, SOLANO, SONOMA SPECIALTY PAY: (A) UNDERGROUND WORK SUCH AS TUNNEL WORK, SEWER WORK, MANHOLES, CATCH BASINS, SEWER PIPES AND TELEPHONE CONDUIT SHALL BE PAID \$1.25 PER HOUR ABOVE THE REGULAR RATE. WORK IN DIRECT CONTACT WITH RAW SEWAGE SHALL RECEIVE \$1.25 PER HOUR IN ADDITION TO THE ABOVE. (B) OPERATING A SAW OR GRINDER SHALL RECEIVE \$1.25 PER HOUR ABOVE THE REGULAR RATE. (C) GUNITE NOZZLE PERSON SHALL RECEIVE \$1.25 PER HOUR ABOVE THE REGULAR RATE.....	\$ 57.02	28.50

BRCA0003-007 07/01/2024

	Rates	Fringes
TERRAZZO WORKER FOOTNOTE: BASE MACHINE OPERATOR: \$1.00 PER HOUR ADDITIONAL.....	\$ 60.58	29.79
TERRAZZO FINISHER FOOTNOTE: BASE MACHINE OPERATOR: \$1.00 PER HOUR ADDITIONAL.....	\$ 44.93	20.98

BRCA0003-009 08/01/2024

	Rates	Fringes
MARBLE MASON.....	\$ 61.72	30.31

BRCA0003-012 04/01/2024

	Rates	Fringes
TILE LAYER (SONOMA).....	\$ 56.79	22.54
TILE LAYER (EL DORADO, PLACER, SACRAMENTO, SUTTER, YOLO, YUBA).....	\$ 55.55	21.08
TILE LAYER (ALAMEDA, CONTRA COSTA, MARIN, MONTERREY, NAPA, SAN BENITO, SAN FRANCISCO, SAN MATEO, SANTA CLARA, SANTA CRUZ, SOLANO).....	\$ 59.92	22.62
TILE FINISHER (SONOMA).....	\$ 35.78	19.23
TILE FINISHER (EL DORADO, PLACER, SACRAMENTO, SUTTER, YOLO, YUBA).....	\$ 35.00	17.44
TILE FINISHER (ALAMEDA, CONTRA COSTA, MARIN, MONTEREY, NAPA, SAN BENITO, SAN FRANCISCO, SAN MATEO, SANTA CLARA, SANTA CRUZ, SOLANO).....	\$ 37.75	19.28

CARP0022-001 07/01/2023

	Rates	Fringes
CARPENTERS: MILLWRIGHT (SAN FRANCISCO COUNTY).....	\$ 60.49	35.11
CARPENTERS: JOURNEYMAN CARPENTER (SAN FRANCISCO COUNTY).....	\$ 60.39	33.52
CARPENTERS: HARDWOOD FLOORLAYER, SHINGLER, POWER SAW OPERATOR, STEEL SCAFFOLD & STEEL SHORING ERECTOR, SAW FILER (SAN FRANCISCO COUNTY).....	\$ 60.54	33.52
CARPENTERS: BRIDGE BUILDER/HIGHWAY CARPENTER (SAN FRANCISCO COUNTY).....	\$ 60.39	33.52

CARP0035-005 07/01/2021

	Rates	Fringes
DRYWALL STOCKER/SCRAPPER: (AREA 4) AREA 4: El Dorado, Placer, Sacramento, Sutter, Yolo, & Yuba Counties.....	\$ 24.07	18.58
DRYWALL STOCKER/SCRAPPER: (AREA 2) AREA 2: Monterey, San Benito & Santa Cruz Counties.....	\$ 24.49	18.58
DRYWALL STOCKER/SCRAPPER: (AREA 1) AREA 1: Alameda, Contra Costa, Marin, Napa, San Francisco, San Mateo, Santa Clara, Solano & Sonoma Counties....	\$ 27.43	18.58
DRYWALL INSTALLERS/LATHERS: (AREA 4) AREA 4: El Dorado, Placer, Sacramento, Sutter, Yolo, & YubaCounties.....	\$ 48.12	31.93
DRYWALL INSTALLERS/LATHERS: (AREA 2) AREA 2: Monterey, San Benito & Santa Cruz Counties.....	\$ 48.97	31.93
DRYWALL INSTALLERS/LATHERS: (AREA 1) AREA 1: Alameda, Contra Costa, Marin, Napa, San Francisco, San Mateo, Santa Clara, Solano & Sonoma Counties....	\$ 54.85	31.93

CARP0035-009 07/01/2020

	Rates	Fringes
CARPENTER: MILLWRIGHT MARIN COUNTY.....	\$ 52.75	32.41
CARPENTER: JOURNEYMAN CARPENTER MARIN COUNTY.....	\$ 52.65	30.82
CARPENTER: HARDWOOD FLOORLAYER, SHINGLER, POWER SAW OPERATOR, STEEL SCAFFOLD & STEEL SHORING ERECTOR, SAW FILER MARIN COUNTY.....	\$ 52.80	30.82
CARPENTER: BRIDGE BUILDER/HIGHWAY CARPENTER MARIN COUNTY.....	\$ 52.65	30.82

CARP0046-001 07/01/2023

	Rates	Fringes
CARPENTERS: MILLWRIGHT EL DORADO (WEST), PLACER (WEST), SACRAMENTO AND YOLO COUNTIES FOOTNOTE: PLACER COUNTY (WEST) INCLUDES TERRITORY WEST OF AND INCLUDING HIGHWAY 49 AND EL DORADO COUNTY (WEST)		

INCLUDES TERRITORY WEST OF AND INCLUDING HIGHWAY 49 AND TERRITORY INSIDE THE CITY LIMITS OF PLACERVILLE.....	\$ 57.01	35.11
CARPENTERS: JOURNEYMAN CARPENTER EL DORADO (WEST), PLACER (WEST), SACRAMENTO AND YOLO COUNTIES FOOTNOTE: PLACER COUNTY (WEST) INCLUDES TERRITORY WEST OF AND INCLUDING HIGHWAY 49 AND EL DORADO COUNTY (WEST) INCLUDES TERRITORY WEST OF AND INCLUDING HIGHWAY 49 AND TERRITORY INSIDE THE CITY LIMITS OF PLACERVILLE.....	\$ 54.51	33.52
CARPENTERS: HARDWOOD FLOORLAYER, SHINGLER, POWER SAW OPERATOR, STEEL SCAFFOLD & STEEL SHORING ERECTOR, SAW FILER EL DORADO (WEST), PLACER (WEST), SACRAMENTO AND YOLO COUNTIES FOOTNOTE: PLACER COUNTY (WEST) INCLUDES TERRITORY WEST OF AND INCLUDING HIGHWAY 49 AND EL DORADO COUNTY (WEST) INCLUDES TERRITORY WEST OF AND INCLUDING HIGHWAY 49 AND TERRITORY INSIDE THE CITY LIMITS OF PLACERVILLE.....	\$ 54.66	33.52
CARPENTERS: BRIDGE BUILDER/HIGHWAY CARPENTER EL DORADO (WEST), PLACER (WEST), SACRAMENTO AND YOLO COUNTIES FOOTNOTE: PLACER COUNTY (WEST) INCLUDES TERRITORY WEST OF AND INCLUDING HIGHWAY 49 AND EL DORADO COUNTY (WEST) INCLUDES TERRITORY WEST OF AND INCLUDING HIGHWAY 49 AND TERRITORY INSIDE THE CITY LIMITS OF PLACERVILLE.....	\$ 60.39	33.52

 CARP0046-003 07/01/2023

	Rates	Fringes
CARPENTERS: MILLWRIGHT (EL DORADO (EAST), PLACER (EAST), SUTTER AND YUBA COUNTIES).....	\$ 55.66	35.11
CARPENTERS: JOURNEYMAN CARPENTER (EL DORADO (EAST), PLACER (EAST), SUTTER AND YUBA COUNTIES).....	\$ 53.16	33.52
CARPENTERS: HARDWOOD FLOORLAYER, SHINGLER, POWER SAW OPERATOR, STEEL SCAFFOLD & STEEL SHORING ERECTOR, SAW FILER EL DORADO (EAST), PLACER (EAST), SUTTER AND YUBA COUNTIES.....	\$ 53.31	33.52
CARPENTERS: BRIDGE BUILDER/HIGHWAY CARPENTER (EL DORADO (EAST), PLACER (EAST), SUTTER AND YUBA COUNTIES).....	\$ 60.39	33.52

 CARP0152-001 07/01/2020

	Rates	Fringes
CARPENTERS: MILLWRIGHT (CONTRA COSTA COUNTY).....	\$ 52.75	32.41
CARPENTERS: JOURNEYMAN CARPENTER (CONTRA COSTA COUNTY).....	\$ 52.65	30.82
CARPENTERS: HARDWOOD FLOORLAYER, SHINGLER, POWER SAW OPERATOR, STEEL SCAFFOLD & STEEL SHORING ERECTOR, SAW FILER (CONTRA COSTA COUNTY).....	\$ 52.80	30.82
CARPENTERS: BRIDGE BUILDER/HIGHWAY CARPENTER (CONTRA COSTA COUNTY).....	\$ 52.65	30.82

 CARP0180-001 07/01/2021

	Rates	Fringes
CARPENTERS: MILLWRIGHT SOLANO COUNTY.....	\$ 54.95	33.08
CARPENTERS: JOURNEYMAN CARPENTER SOLANO COUNTY....	\$ 54.85	31.49
CARPENTERS: HARDWOOD FLOORLAYER, SHINGLER, POWER SAW OPERATOR, STEEL SCAFFOLD & STEEL SHORING ERECTOR, SAW FILER SOLANO COUNTY.....	\$ 55.00	31.49
CARPENTERS: BRIDGE BUILDER/HIGHWAY CARPENTER SOLANO COUNTY.....	\$ 54.85	31.49

CARP0217-001 07/01/2023

	Rates	Fringes
CARPENTERS: MILLWRIGHT (SAN MATEO COUNTY).....	\$ 60.49	35.11
CARPENTERS: JOURNEYMAN CARPENTER (SAN MATEO COUNTY)..	\$ 60.39	33.52
CARPENTERS: HARDWOOD FLOORLAYER, SHINGLER, POWER SAW OPERATOR, STEEL SCAFFOLD & STEEL SHORING ERECTOR, SAW FILER (SAN MATEO COUNTY).....	\$ 60.54	33.52
CARPENTERS: BRIDGE BUILDER/HIGHWAY CARPENTER (SAN MATEO COUNTY).....	\$ 60.39	33.52

CARP0405-001 07/01/2021

	Rates	Fringes
CARPENTERS: MILLWRIGHT (SANTA CLARA COUNTY).....	\$ 54.95	33.08
CARPENTERS: JOURNEYMAN CARPENTER (SANTA CLARA COUNTY).....	\$ 54.85	31.49
CARPENTERS: HARDWOOD FLOORLAYER, SHINGLER, POWER SAW OPERATOR, STEEL SCAFFOLD & STEEL SHORING ERECTOR, SAW FILER (SANTA CLARA COUNTY).....	\$ 55.00	31.49
CARPENTERS: BRIDGE BUILDER/HIGHWAY CARPENTER (SANTA CLARA COUNTY).....	\$ 54.85	31.49

CARP0405-002 07/01/2021

	Rates	Fringes
CARPENTERS: MILLWRIGHT (SAN BENITO COUNTY).....	\$ 51.47	33.08
CARPENTERS: JOURNEYMAN CARPENTER (SAN BENITO COUNTY).....	\$ 48.97	31.49
CARPENTERS: HARDWOOD FLOORLAYER, SHINGLER, POWER SAW OPERATOR, STEEL SCAFFOLD & STEEL SHORING ERECTOR, SAW FILER (SAN BENITO COUNTY).....	\$ 49.12	31.49
CARPENTERS: BRIDGE BUILDER/HIGHWAY CARPENTER (SAN BENITO COUNTY).....	\$ 54.85	31.49

CARP0505-001 07/01/2021

	Rates	Fringes
CARPENTERS: MILLWRIGHT (SANTA CRUZ COUNTY).....	\$ 51.47	33.08
CARPENTERS: JOURNEYMAN CARPENTER (SANTA CRUZ COUNTY).....	\$ 48.97	31.49
CARPENTERS: HARDWOOD FLOORLAYER, SHINGLER, POWER SAW OPERATOR, STEEL SCAFFOLD & STEEL SHORING ERECTOR, SAW FILER (SANTA CRUZ COUNTY).....	\$ 49.12	31.49
CARPENTERS: BRIDGE BUILDER/HIGHWAY CARPENTER (SANTA CRUZ COUNTY).....	\$ 54.85	31.49

CARP0605-001 07/01/2021

	Rates	Fringes
CARPENTERS: MILLWRIGHT (MONTEREY COUNTY).....	\$ 51.47	33.08
CARPENTERS: JOURNEYMAN CARPENTER (MONTEREY COUNTY)..	\$ 48.97	31.49
CARPENTERS: HARDWOOD FLOORLAYER, SHINGLER, POWER SAW OPERATOR, STEEL SCAFFOLD & STEEL SHORING ERECTOR, SAW FILER (MONTEREY COUNTY).....	\$ 49.12	31.49
CARPENTERS: BRIDGE BUILDER/HIGHWAY CARPENTER (MONTEREY COUNTY).....	\$ 54.85	31.49

CARP0713-001 07/01/2021

	Rates	Fringes
CARPENTERS: MILLWRIGHT (ALAMEDA COUNTY).....	\$ 54.95	33.08
CARPENTERS: JOURNEYMAN CARPENTER (ALAMEDA COUNTY)..	\$ 54.85	31.49
CARPENTERS: HARDWOOD FLOORLAYER, SHINGLER, POWER SAW OPERATOR, STEEL SCAFFOLD & STEEL SHORING		

ERECTOR, SAW FILER (ALAMEDA COUNTY).....\$ 55.00 31.49
 CARPENTERS: BRIDGE BUILDER/HIGHWAY CARPENTER
 (ALAMEDA COUNTY).....\$ 54.85 31.49

 CARP0751-001 07/01/2021

	Rates	Fringes
CARPENTERS: MILLWRIGHT (NAPA AND SONOMA COUNTIES).	\$ 54.95	33.08
CARPENTERS: JOURNEYMAN CARPENTER (NAPA AND SONOMA COUNTIES).....	\$ 54.85	31.49
CARPENTERS: HARDWOOD FLOORLAYER, SHINGLER, POWER SAW OPERATOR, STEEL SCAFFOLD & STEEL SHORING		
ERECTOR, SAW FILER (NAPA AND SONOMA COUNTIES).....	\$ 55.00	31.49
CARPENTERS: BRIDGE BUILDER/HIGHWAY CARPENTER (NAPA AND SONOMA COUNTIES).....	\$ 54.85	31.49

 ELEC0006-003 12/01/2025

	Rates	Fringes
SOUND & COMMUNICATIONS: TECHNICIAN (SAN FRANCISCO COUNTY) SCOPE OF WORK: INCLUDING ANY DATA SYSTEM WHOSE ONLY FUNCTION IS TO TRANSMIT OR RECEIVE INFORMATION; EXCLUDING ALL OTHER DATA SYSTEMS OR MULTIPLE SYSTEMS WHICH INCLUDE CONTROL FUNCTION OR POWER SUPPLY; INCLUSION OR EXCLUSION OF TERMINATIONS AND TESTINGS OF CONDUCTORS DETERMINED BY THEIR FUNCTION; EXCLUDING FIRE ALARM WORK WHEN INSTALLED IN RACEWAYS (INCLUDING WIRE AND CABLE PULLING) AND WHEN PERFORMED ON NEW OR MAJOR REMODEL BUILDING PROJECTS OR JOBS; EXCLUDING INSTALLATION OF RACEWAY SYSTEMS, LINE VOLTAGE WORK, INDUSTRIAL WORK, LIFE-SAFETY SYSTEMS (ALL BUILDINGS HAVING FLOORS LOCATED MORE THAN 75' ABOVE THE LOWEST FLOOR LEVEL HAVING BUILDING ACCESS); EXCLUDING ENERGY MANAGEMENT SYSTEMS.....	\$ 67.65	31.78
SOUND & COMMUNICATIONS: INSTALLER (SAN FRANCISCO COUNTY) SCOPE OF WORK: INCLUDING ANY DATA SYSTEM WHOSE ONLY FUNCTION IS TO TRANSMIT OR RECEIVE INFORMATION; EXCLUDING ALL OTHER DATA SYSTEMS OR MULTIPLE SYSTEMS WHICH INCLUDE CONTROL FUNCTION OR POWER SUPPLY; INCLUSION OR EXCLUSION OF TERMINATIONS AND TESTINGS OF CONDUCTORS DETERMINED BY THEIR FUNCTION; EXCLUDING FIRE ALARM WORK WHEN INSTALLED IN RACEWAYS (INCLUDING WIRE AND CABLE PULLING) AND WHEN PERFORMED ON NEW OR MAJOR REMODEL BUILDING PROJECTS OR JOBS; EXCLUDING INSTALLATION OF RACEWAY SYSTEMS, LINE VOLTAGE WORK, INDUSTRIAL WORK, LIFE-SAFETY SYSTEMS (ALL BUILDINGS HAVING FLOORS LOCATED MORE THAN 75' ABOVE THE LOWEST FLOOR LEVEL HAVING BUILDING ACCESS); EXCLUDING ENERGY MANAGEMENT SYSTEMS.....	\$ 58.83	31.51

 ELEC0006-005 06/01/2025

	Rates	Fringes
ELECTRICIAN (SAN FRANCISCO COUNTY) WORK ON RESIDENTIAL WOOD FRAME REMODEL AND REPAIR IN ALL WOOD-CONSTRUCTED BUILDINGS NOT TO EXCEED 24 LIVING UNITS; AND NEW WOOD FRAME SINGLE STRUCTURE 1 OR 2 FAMILY HOUSES, OR ON ALL WOOD- CONSTRUCTED BUILDINGS NOT TO EXCEED 20 LIVING UNITS UNDER 1 ROOF EXCLUDING PROJECTS OR TRACTS CONTAINING MORE THAN 2 HOUSES, OR MORE THAN 1 BUILDING.....	\$ 55.50	25.64

ELEC0006-009 06/01/2024		
	Rates	Fringes
ELECTRICIAN: ALL OTHER WORK (SAN FRANCISCO COUNTY):	\$ 91.25	48.05

ELEC0180-002 12/01/2023		
	Rates	Fringes
ELECTRICIAN (NAPA & SOLANO COUNTIES):	\$ 38.50	21.16

ELEC0234-002 12/30/2025		
	Rates	Fringes
ELECTRICIAN: ZONE B: (MONTEREY, SAN BENITO, AND SANTA CRUZ COUNTIES) ZONE B: ANY AREA OUTSIDE OF ZONE A:	\$ 77.45	33.97
ELECTRICIAN: ZONE A: (MONTEREY, SAN BENITO, AND SANTA CRUZ COUNTIES) ZONE A: ALL OF SANTA CRUZ, MONTEREY, AND SAN BENITO COUNTIES WITHIN 25 AIR MILES OF HIGHWAY 1 AND DOLAN ROAD IN MOSS LANDING, AND AN AREA EXTENDING 5 MILES EAST AND WEST OF HIGHWAY 101 SOUTH TO THE SAN LUIS OBISPO COUNTY LINE:	\$ 70.41	33.76

ELEC0234-004 12/01/2021		
	Rates	Fringes
SOUND & COMMUNICATIONS: TECHNICIAN (MONTEREY, SAN BENITO, AND SANTA CRUZ COUNTIES) SCOPE OF WORK: INCLUDING ANY DATA SYSTEM WHOSE ONLY FUNCTION IS TO TRANSMIT OR RECEIVE INFORMATION; EXCLUDING ALL OTHER DATA SYSTEMS OR MULTIPLE SYSTEMS WHICH INCLUDE CONTROL FUNCTION OR POWER SUPPLY; INCLUSION OR EXCLUSION OF TERMINATIONS AND TESTINGS OF CONDUCTORS DETERMINED BY THEIR FUNCTION; EXCLUDING FIRE ALARM WORK WHEN INSTALLED IN RACEWAYS (INCLUDING WIRE AND CABLE PULLING) AND WHEN PERFORMED ON NEW OR MAJOR REMODEL BUILDING PROJECTS OR JOBS; EXCLUDING INSTALLATION OF RACEWAY SYSTEMS, LINE VOLTAGE WORK, INDUSTRIAL WORK, LIFE-SAFETY SYSTEMS (ALL BUILDINGS HAVING FLOORS LOCATED MORE THAN 75' ABOVE THE LOWEST FLOOR LEVEL HAVING BUILDING ACCESS); EXCLUDING ENERGY MANAGEMENT SYSTEMS:	\$ 55.12	24.30
SOUND & COMMUNICATIONS: INSTALLER (MONTEREY, SAN BENITO, AND SANTA CRUZ COUNTIES) SCOPE OF WORK: INCLUDING ANY DATA SYSTEM WHOSE ONLY FUNCTION IS TO TRANSMIT OR RECEIVE INFORMATION; EXCLUDING ALL OTHER DATA SYSTEMS OR MULTIPLE SYSTEMS WHICH INCLUDE CONTROL FUNCTION OR POWER SUPPLY; INCLUSION OR EXCLUSION OF TERMINATIONS AND TESTINGS OF CONDUCTORS DETERMINED BY THEIR FUNCTION; EXCLUDING FIRE ALARM WORK WHEN INSTALLED IN RACEWAYS (INCLUDING WIRE AND CABLE PULLING) AND WHEN PERFORMED ON NEW OR MAJOR REMODEL BUILDING PROJECTS OR JOBS; EXCLUDING INSTALLATION OF RACEWAY SYSTEMS, LINE VOLTAGE WORK, INDUSTRIAL WORK, LIFE-SAFETY SYSTEMS (ALL BUILDINGS HAVING FLOORS LOCATED MORE THAN 75' ABOVE THE LOWEST FLOOR LEVEL HAVING BUILDING ACCESS); EXCLUDING ENERGY MANAGEMENT SYSTEMS:	\$ 47.93	24.09

ELEC0302-002 03/01/2025		
	Rates	Fringes
ELECTRICIAN (CONTRA COSTA COUNTY):	\$ 66.26	35.84

CABLE SPLICER (CONTRA COSTA COUNTY).....\$ 74.54 36.09

ELEC0302-004 12/01/2025

Rates Fringes

SOUND & COMMUNICATIONS: TECHNICIAN (CONTRA COSTA COUNTY) SCOPE OF WORK: INCLUDING ANY DATA SYSTEM WHOSE ONLY FUNCTION IS TO TRANSMIT OR RECEIVE INFORMATION; EXCLUDING ALL OTHER DATA SYSTEMS OR MULTIPLE SYSTEMS WHICH INCLUDE CONTROL FUNCTION OR POWER SUPPLY; INCLUSION OR EXCLUSION OF TERMINATIONS AND TESTINGS OF CONDUCTORS DETERMINED BY THEIR FUNCTION; EXCLUDING FIRE ALARM WORK WHEN INSTALLED IN RACEWAYS (INCLUDING WIRE AND CABLE PULLING) AND WHEN PERFORMED ON NEW OR MAJOR REMODEL BUILDING PROJECTS OR JOBS; EXCLUDING INSTALLATION OF RACEWAY SYSTEMS, LINE VOLTAGE WORK, INDUSTRIAL WORK, LIFE-SAFETY SYSTEMS (ALL BUILDINGS HAVING FLOORS LOCATED MORE THAN 75' ABOVE THE LOWEST FLOOR LEVEL HAVING BUILDING ACCESS); EXCLUDING ENERGY MANAGEMENT SYSTEMS.....\$ 61.04

31.08

SOUND & COMMUNICATIONS: INSTALLER (CONTRA COSTA COUNTY) SCOPE OF WORK: INCLUDING ANY DATA SYSTEM WHOSE ONLY FUNCTION IS TO TRANSMIT OR RECEIVE INFORMATION; EXCLUDING ALL OTHER DATA SYSTEMS OR MULTIPLE SYSTEMS WHICH INCLUDE CONTROL FUNCTION OR POWER SUPPLY; INCLUSION OR EXCLUSION OF TERMINATIONS AND TESTINGS OF CONDUCTORS DETERMINED BY THEIR FUNCTION; EXCLUDING FIRE ALARM WORK WHEN INSTALLED IN RACEWAYS (INCLUDING WIRE AND CABLE PULLING) AND WHEN PERFORMED ON NEW OR MAJOR REMODEL BUILDING PROJECTS OR JOBS; EXCLUDING INSTALLATION OF RACEWAY SYSTEMS, LINE VOLTAGE WORK, INDUSTRIAL WORK, LIFE-SAFETY SYSTEMS (ALL BUILDINGS HAVING FLOORS LOCATED MORE THAN 75' ABOVE THE LOWEST FLOOR LEVEL HAVING BUILDING ACCESS); EXCLUDING ENERGY MANAGEMENT SYSTEMS.....\$ 53.08

30.84

ELEC0332-002 06/01/2025

Rates Fringes

ELECTRICIAN (SANTA CLARA COUNTY).....\$ 47.35

23.49

ELEC0332-004 12/01/2025

Rates Fringes

SOUND & COMMUNICATIONS: TECHNICIAN (SANTA CLARA COUNTY) SCOPE OF WORK: INCLUDING ANY DATA SYSTEM WHOSE ONLY FUNCTION IS TO TRANSMIT OR RECEIVE INFORMATION; EXCLUDING ALL OTHER DATA SYSTEMS OR MULTIPLE SYSTEMS WHICH INCLUDE CONTROL FUNCTION OR POWER SUPPLY; INCLUSION OR EXCLUSION OF TERMINATIONS AND TESTINGS OF CONDUCTORS DETERMINED BY THEIR FUNCTION; EXCLUDING FIRE ALARM WORK WHEN INSTALLED IN RACEWAYS (INCLUDING WIRE AND CABLE PULLING) AND WHEN PERFORMED ON NEW OR MAJOR REMODEL BUILDING PROJECTS OR JOBS; EXCLUDING INSTALLATION OF RACEWAY SYSTEMS, LINE VOLTAGE WORK, INDUSTRIAL WORK, LIFE-SAFETY SYSTEMS (ALL BUILDINGS HAVING FLOORS LOCATED MORE THAN 75' ABOVE THE LOWEST FLOOR LEVEL HAVING BUILDING ACCESS); EXCLUDING ENERGY MANAGEMENT SYSTEMS.....\$ 67.08

31.26

SOUND & COMMUNICATIONS: INSTALLER (SANTA CLARA COUNTY) SCOPE OF WORK: INCLUDING ANY DATA SYSTEM WHOSE ONLY FUNCTION IS TO TRANSMIT OR RECEIVE

INFORMATION; EXCLUDING ALL OTHER DATA SYSTEMS OR MULTIPLE SYSTEMS WHICH INCLUDE CONTROL FUNCTION OR POWER SUPPLY; INCLUSION OR EXCLUSION OF TERMINATIONS AND TESTINGS OF CONDUCTORS DETERMINED BY THEIR FUNCTION; EXCLUDING FIRE ALARM WORK WHEN INSTALLED IN RACEWAYS (INCLUDING WIRE AND CABLE PULLING) AND WHEN PERFORMED ON NEW OR MAJOR REMODEL BUILDING PROJECTS OR JOBS; EXCLUDING INSTALLATION OF RACEWAY SYSTEMS, LINE VOLTAGE WORK, INDUSTRIAL WORK, LIFE-SAFETY SYSTEMS (ALL BUILDINGS HAVING FLOORS LOCATED MORE THAN 75' ABOVE THE LOWEST FLOOR LEVEL HAVING BUILDING ACCESS); EXCLUDING ENERGY MANAGEMENT SYSTEMS.....\$ 58.33 31.00

ELEC0340-001 02/01/2016

Rates Fringes

ELECTRICIAN: WORK ON SINGLE FAMILY HOMES AND APARTMENTS UP TO AND INCLUDING 3 STORIES (EL DORADO, PLACER, SACRAMENTO, SUTTER, YOLO AND YUBA COUNTIES).....\$ 23.10 12.48
 ELECTRICIAN: FOUR STORIES (EL DORADO, PLACER, SACRAMENTO, SUTTER, YOLO AND YUBA COUNTIES).....\$ 39.06 24.51

ELEC0340-004 03/01/2025

Rates Fringes

SOUND & COMMUNICATIONS: TECHNICIAN (COLUSA, PLACER, SUTTER, YOLO AND YUBA COUNTIES) SCOPE OF WORK: INCLUDING ANY DATA SYSTEM WHOSE ONLY FUNCTION IS TO TRANSMIT OR RECEIVE INFORMATION; EXCLUDING ALL OTHER DATA SYSTEMS OR MULTIPLE SYSTEMS WHICH INCLUDE CONTROL FUNCTION OR POWER SUPPLY; INCLUSION OR EXCLUSION OF TERMINATIONS AND TESTINGS OF CONDUCTORS DETERMINED BY THEIR FUNCTION; EXCLUDING FIRE ALARM WORK WHEN INSTALLED IN RACEWAYS (INCLUDING WIRE AND CABLE PULLING) AND WHEN PERFORMED ON NEW OR MAJOR REMODEL BUILDING PROJECTS OR JOBS; EXCLUDING INSTALLATION OF RACEWAY SYSTEMS, LINE VOLTAGE WORK, INDUSTRIAL WORK, LIFE-SAFETY SYSTEMS (ALL BUILDINGS HAVING FLOORS LOCATED MORE THAN 75' ABOVE THE LOWEST FLOOR LEVEL HAVING BUILDING ACCESS); EXCLUDING ENERGY MANAGEMENT SYSTEMS.....\$ 46.00 25.68

SOUND & COMMUNICATIONS: INSTALLER (COLUSA, PLACER, SUTTER, YOLO AND YUBA COUNTIES) SCOPE OF WORK: INCLUDING ANY DATA SYSTEM WHOSE ONLY FUNCTION IS TO TRANSMIT OR RECEIVE INFORMATION; EXCLUDING ALL OTHER DATA SYSTEMS OR MULTIPLE SYSTEMS WHICH INCLUDE CONTROL FUNCTION OR POWER SUPPLY; INCLUSION OR EXCLUSION OF TERMINATIONS AND TESTINGS OF CONDUCTORS DETERMINED BY THEIR FUNCTION; EXCLUDING FIRE ALARM WORK WHEN INSTALLED IN RACEWAYS (INCLUDING WIRE AND CABLE PULLING) AND WHEN PERFORMED ON NEW OR MAJOR REMODEL BUILDING PROJECTS OR JOBS; EXCLUDING INSTALLATION OF RACEWAY SYSTEMS, LINE VOLTAGE WORK, INDUSTRIAL WORK, LIFE-SAFETY SYSTEMS (ALL BUILDINGS HAVING FLOORS LOCATED MORE THAN 75' ABOVE THE LOWEST FLOOR LEVEL HAVING BUILDING ACCESS); EXCLUDING ENERGY MANAGEMENT SYSTEMS.....\$ 40.00 25.50

ELEC0401-006 01/01/2021

Rates Fringes

ELECTRICIAN (EL DORADO AND PLACER COUNTIES)
 ZONE PAY: ZONE 1 - 0 TO 70 MILES \$0.00 PER
 HOUR ZONE 2 - 70 TO 90 MILES \$5.00 PER HOUR
 ZONE 3 - 91 MILES AND OVER \$7.00 PER HOUR.....\$ 31.88 8.46

ELEC0551-003 12/01/2025

ELECTRICIAN (MARIN AND SONOMA COUNTIES).....\$ 41.00 Rates Fringes
 24.26

ELEC0595-004 06/01/2025

ELECTRICIAN (ALAMEDA COUNTY).....\$ 76.00 Rates Fringes
 49.07
 CABLE SPLICER (ALAMEDA COUNTY).....\$ 87.40 49.41

ELEC0595-007 12/01/2024

SOUND & COMMUNICATIONS, INSTALLER (ALAMEDA COUNTY) SCOPE OF WORK: INCLUDING ANY DATA SYSTEM WHOSE ONLY FUNCTION IS TO TRANSMIT OR RECEIVE INFORMATION; EXCLUDING ALL OTHER DATA SYSTEMS OR MULTIPLE SYSTEMS WHICH INCLUDE CONTROL FUNCTION OR POWER SUPPLY; INCLUSION OR EXCLUSION OF TERMINATIONS AND TESTINGS OF CONDUCTORS DETERMINED BY THEIR FUNCTION; EXCLUDING FIRE ALARM WORK WHEN INSTALLED IN RACEWAYS (INCLUDING WIRE AND CABLE PULLING) AND WHEN PERFORMED ON NEW OR MAJOR REMODEL BUILDING PROJECTS OR JOBS; EXCLUDING INSTALLATION OF RACEWAY SYSTEMS, LINE VOLTAGE WORK, INDUSTRIAL WORK, LIFE-SAFETY SYSTEMS (ALL BUILDINGS HAVING FLOORS LOCATED MORE THAN 75' ABOVE THE LOWEST FLOOR LEVEL HAVING BUILDING ACCESS); EXCLUDING ENERGY MANAGEMENT SYSTEMS.....\$ 56.68 Rates Fringes
 28.35

ELEC0617-002 06/01/2025

ELECTRICIAN (SAN MATEO COUNTY).....\$ 86.00 Rates Fringes
 51.07

ELEV0008-001 01/01/2025

ELEVATOR MECHANIC FOOTNOTE: A. PAID VACATION: EMPLOYER CONTRIBUTES 8% OF REGULAR HOURLY RATE AS VACATION PAY CREDIT FOR EMPLOYEES WITH MORE THAN 5 YEARS OF SERVICE, AND 6% FOR 6 MONTHS TO 5 YEARS OF SERVICE. B. PAID HOLIDAYS: NEW YEAR'S DAY, MEMORIAL DAY, INDEPENDENCE DAY, LABOR DAY, VETERANS' DAY, THANKSGIVING DAY, FRIDAY AFTER THANKSGIVING, AND CHRISTMAS DAY.....\$ 84.05 Rates Fringes
 38.44

ENGI0003-009 06/30/2025

OPERATOR: POWER EQUIPMENT, CRANES AND ATTACHMENTS - AREA 1: GROUP 3: CRANES: Clamshell and dragline up to and including 1 cu. yd.; Cranes 45 tons and under; Self-propelled boom-type lifting device 45 tons and under (EL DORADO, MONTEREY, NAPA, PLACER, SACRAMENTO, SAN BENITO, SANTA CRUZ, SONOMA, SUTTER, YOLO AND YUBA COUNTIES) FOOTNOTE: Work suspended by ropes or cables, or work on a Yo-Yo Cat: \$.60 per hour additional. ""AREA 1"" WAGE RATES ARE LISTED Rates Fringes

""AREA 2"" RECEIVES AN ADDITIONAL \$2.00 PER HOUR ABOVE AREA 1 RATES. (SEE AREA DESCRIPTIONS BELOW) AREA 1: ALAMEDA, CONTRA COSTA, MARIN, NAPA, SACRAMENTO, SAN BENITO, SAN FRANCISCO, SANTA CLARA, SANTA CRUZ, SOLANO, YOLO, AND YUBA COUNTIES THE REMAINING COUNTIES ARE SPLIT BETWEEN AREA 1 AND AREA 2 AS NOTED

ELDORADO

Area 1: North Central

Area 2:

MONTEREY COUNTY

Area 1: Remainder

Area 2: Southwestern

PLACER

Area 1: All but the Central

Area 2:

SONOMA

Area 1: All but the Northwestern

Area 2: Reaminder.....\$ 63.06

34.69

OPERATOR: POWER EQUIPMENT, CRANES AND ATTACHMENTS

- AREA 1: GROUP 3: HYDRAULIC: Clamshell and dragline up to and including 1 cu. yd.; Cranes 45 tons and under; Self-propelled boom-type lifting device 45 tons and under (EL DORADO, MONTEREY, NAPA, PLACER, SACRAMENTO, SAN BENITO, SANTA CRUZ, SONOMA, SUTTER, YOLO AND YUBA COUNTIES) FOOTNOTE: Work suspended by ropes or cables, or work on a Yo-Yo Cat: \$.60 per hour additional. ""AREA 1"" WAGE RATES ARE LISTED ""AREA 2"" RECEIVES AN ADDITIONAL \$2.00 PER HOUR ABOVE AREA 1 RATES. (SEE AREA DESCRIPTIONS BELOW) AREA 1: ALAMEDA, CONTRA COSTA, MARIN, NAPA, SACRAMENTO, SAN BENITO, SAN FRANCISCO, SANTA CLARA, SANTA CRUZ, SOLANO, YOLO, AND YUBA COUNTIES THE REMAINING COUNTIES ARE SPLIT BETWEEN AREA 1 AND AREA 2 AS NOTED

ELDORADO

Area 1: North Central

Area 2:

MONTEREY COUNTY

Area 1: Remainder

Area 2: Southwestern

PLACER

Area 1: All but the Central

Area 2:

SONOMA

Area 1: All but the Northwestern

Area 2: Reaminder.....\$ 44.44

31.15

OPERATOR: POWER EQUIPMENT, CRANES AND ATTACHMENTS

- AREA 1: GROUP 3: OILER: Clamshell and dragline up to and including 1 cu. yd.; Cranes 45 tons and under; Self-propelled boom-type lifting device 45 tons and under (EL DORADO, MONTEREY, NAPA, PLACER, SACRAMENTO, SAN BENITO, SANTA CRUZ, SONOMA, SUTTER, YOLO AND YUBA COUNTIES) FOOTNOTE: Work suspended by ropes or cables, or work on a Yo-Yo Cat: \$.60 per hour additional. ""AREA 1"" WAGE RATES ARE LISTED

""AREA 2"" RECEIVES AN ADDITIONAL \$2.00 PER HOUR ABOVE AREA 1 RATES. (SEE AREA DESCRIPTIONS BELOW) AREA 1: ALAMEDA, CONTRA COSTA, MARIN, NAPA, SACRAMENTO, SAN BENITO, SAN FRANCISCO, SANTA CLARA, SANTA CRUZ, SOLANO, YOLO, AND YUBA COUNTIES THE REMAINING COUNTIES ARE SPLIT BETWEEN AREA 1 AND AREA 2 AS NOTED

ELDORADO

Area 1: North Central

Area 2:

MONTEREY COUNTY

Area 1: Remainder

Area 2: Southwestern

PLACER

Area 1: All but the Central

Area 2:

SONOMA

Area 1: All but the Northwestern

Area 2: Reaminder.....\$ 42.55 31.15

OPERATOR: POWER EQUIPMENT, CRANES AND ATTACHMENTS

- AREA 1: GROUP 3: TRUCK CRANE OILER: Clamshell and

dragline up to and including 1 cu. yd.; Cranes 45

tons and under; Self-propelled boom-type lifting

device 45 tons and under (EL DORADO, MONTEREY,

NAPA, PLACER, SACRAMENTO, SAN BENITO, SANTA CRUZ,

SONOMA, SUTTER, YOLO AND YUBA COUNTIES) FOOTNOTE:

Work suspended by ropes or cables, or work on a

Yo-Yo Cat: \$.60 per hour additional. ""AREA 1"" WAGE

RATES ARE LISTED ""AREA 2"" RECEIVES AN ADDITIONAL

\$2.00 PER HOUR ABOVE AREA 1 RATES. (SEE AREA

DESCRIPTIONS BELOW) AREA 1: ALAMEDA, CONTRA COSTA,

MARIN, NAPA, SACRAMENTO, SAN BENITO, SAN

FRANCISCO, SANTA CLARA, SANTA CRUZ, SOLANO, YOLO,

AND YUBA COUNTIES THE REMAINING COUNTIES ARE SPLIT

BETWEEN AREA 1 AND AREA 2 AS NOTED

ELDORADO

Area 1: North Central

Area 2:

MONTEREY COUNTY

Area 1: Remainder

Area 2: Southwestern

PLACER

Area 1: All but the Central

Area 2:

SONOMA

Area 1: All but the Northwestern

Area 2: Reaminder.....\$ 44.83 31.15

OPERATOR: POWER EQUIPMENT, CRANES AND ATTACHMENTS

- AREA 1: GROUP 2: CRANES: Clamshell and dragline

over 1 cu. yd. up to and including 7 cu. yds.;

Crane, over 45 tons up to and including 100 tons;

Derrick barge, 100 tons and under; Self-propelled

boom-type lifting device, over 45 tons; Tower crane

(EL DORADO, MONTEREY, NAPA, PLACER, SACRAMENTO,

SAN BENITO, SANTA CRUZ, SONOMA, SUTTER, YOLO AND

YUBA COUNTIES) FOOTNOTE: Work suspended by ropes or

cables, or work on a Yo-Yo Cat: \$.60 per hour

additional. ""AREA 1"" WAGE RATES ARE LISTED ""AREA

2"" RECEIVES AN ADDITIONAL \$2.00 PER HOUR ABOVE AREA

1 RATES. (SEE AREA DESCRIPTIONS BELOW) AREA 1:

ALAMEDA, CONTRA COSTA, MARIN, NAPA, SACRAMENTO,

SAN BENITO, SAN FRANCISCO, SANTA CLARA, SANTA CRUZ,

SOLANO, YOLO, AND YUBA COUNTIES THE REMAINING

COUNTIES ARE SPLIT BETWEEN AREA 1 AND AREA 2 AS

NOTED

ELDORADO

Area 1: North Central

Area 2:

MONTEREY COUNTY

Area 1: Remainder

Area 2: Southwestern

PLACER

Area 1: All but the Central

Area 2:

SONOMA

Area 1: All but the Northwestern
Area 2: Reaminder.....\$ 64.70 34.69

OPERATOR: POWER EQUIPMENT, CRANES AND ATTACHMENTS
- AREA 1: GROUP 2: OILER: Clamshell and dragline
over 1 cu. yd. up to and including 7 cu. yds.;
Crane, over 45 tons up to and including 100 tons;
Derrick barge, 100 tons and under; Self-propelled
boom-type lifting device, over 45 tons; Tower crane
(EL DORADO, MONTEREY, NAPA, PLACER, SACRAMENTO,
SAN BENITO, SANTA CRUZ, SONOMA, SUTTER, YOLO AND
YUBA COUNTIES) FOOTNOTE: Work suspended by ropes or
cables, or work on a Yo-Yo Cat: \$.60 per hour
additional. ""AREA 1"" WAGE RATES ARE LISTED ""AREA
2"" RECEIVES AN ADDITIONAL \$2.00 PER HOUR ABOVE AREA
1 RATES. (SEE AREA DESCRIPTIONS BELOW) AREA 1:
ALAMEDA, CONTRA COSTA, MARIN, NAPA, SACRAMENTO,
SAN BENITO, SAN FRANCISCO, SANTA CLARA, SANTA CRUZ,
SOLANO, YOLO, AND YUBA COUNTIES THE REMAINING
COUNTIES ARE SPLIT BETWEEN AREA 1 AND AREA 2 AS
NOTED

ELDORADO

Area 1: North Central

Area 2:

MONTEREY COUNTY

Area 1: Remainder

Area 2: Southwestern

PLACER

Area 1: All but the Central

Area 2:

SONOMA

Area 1: All but the Northwestern
Area 2: Reaminder.....\$ 42.83 31.15

OPERATOR: POWER EQUIPMENT, CRANES AND ATTACHMENTS
- AREA 1: GROUP 2: TRUCK CRANE OILER: Clamshell and
dragline over 1 cu. yd. up to and including 7 cu.
yds.; Crane, over 45 tons up to and including 100
tons; Derrick barge, 100 tons and under;
Self-propelled boom-type lifting device, over 45
tons; Tower crane (EL DORADO, MONTEREY, NAPA,
PLACER, SACRAMENTO, SAN BENITO, SANTA CRUZ, SONOMA,
SUTTER, YOLO AND YUBA COUNTIES) FOOTNOTE: Work
suspended by ropes or cables, or work on a Yo-Yo
Cat: \$.60 per hour additional. ""AREA 1"" WAGE RATES
ARE LISTED ""AREA 2"" RECEIVES AN ADDITIONAL \$2.00
PER HOUR ABOVE AREA 1 RATES. (SEE AREA
DESCRIPTIONS BELOW) AREA 1: ALAMEDA, CONTRA COSTA,
MARIN, NAPA, SACRAMENTO, SAN BENITO, SAN
FRANCISCO, SANTA CLARA, SANTA CRUZ, SOLANO, YOLO,
AND YUBA COUNTIES THE REMAINING COUNTIES ARE SPLIT
BETWEEN AREA 1 AND AREA 2 AS NOTED

ELDORADO

Area 1: North Central

Area 2:

MONTEREY COUNTY

Area 1: Remainder

Area 2: Southwestern

PLACER

Area 1: All but the Central

Area 2:

SONOMA

Area 1: All but the Northwestern
Area 2: Reaminder.....\$ 45.07 31.15

OPERATOR: POWER EQUIPMENT, CRANES AND ATTACHMENTS
- AREA 1: GROUP 1: CRANES: Clamshell and dragline

over 7 cu. yds.; Crane, over 100 tons; Derrick, over 100 tons; Derrick barge pedestal-mounted, over 100 tons; Self-propelled boom-type lifting device, over 100 tons (EL DORADO, MONTEREY, NAPA, PLACER, SACRAMENTO, SAN BENITO, SANTA CRUZ, SONOMA, SUTTER, YOLO AND YUBA COUNTIES) FOOTNOTE: Work suspended by ropes or cables, or work on a Yo-Yo Cat: \$.60 per hour additional. ""AREA 1"" WAGE RATES ARE LISTED ""AREA 2"" RECEIVES AN ADDITIONAL \$2.00 PER HOUR ABOVE AREA 1 RATES. (SEE AREA DESCRIPTIONS BELOW) AREA 1: ALAMEDA, CONTRA COSTA, MARIN, NAPA, SACRAMENTO, SAN BENITO, SAN FRANCISCO, SANTA CLARA, SANTA CRUZ, SOLANO, YOLO, AND YUBA COUNTIES THE REMAINING COUNTIES ARE SPLIT BETWEEN AREA 1 AND AREA 2 AS NOTED

ELDORADO

Area 1: North Central

Area 2:

MONTEREY COUNTY

Area 1: Remainder

Area 2: Southwestern

PLACER

Area 1: All but the Central

Area 2:

SONOMA

Area 1: All but the Northwestern

Area 2: Reaminder.....	\$ 66.39	34.69
------------------------	----------	-------

OPERATOR: POWER EQUIPMENT, CRANES AND ATTACHMENTS

- AREA 1: GROUP 1: OILER: Clamshell and dragline over 7 cu. yds.; Crane, over 100 tons; Derrick, over 100 tons; Derrick barge pedestal-mounted, over 100 tons; Self-propelled boom-type lifting device, over 100 tons (EL DORADO, MONTEREY, NAPA, PLACER, SACRAMENTO, SAN BENITO, SANTA CRUZ, SONOMA, SUTTER, YOLO AND YUBA COUNTIES) FOOTNOTE: Work suspended by ropes or cables, or work on a Yo-Yo Cat: \$.60 per hour additional. ""AREA 1"" WAGE RATES ARE LISTED ""AREA 2"" RECEIVES AN ADDITIONAL \$2.00 PER HOUR ABOVE AREA 1 RATES. (SEE AREA DESCRIPTIONS BELOW) AREA 1: ALAMEDA, CONTRA COSTA, MARIN, NAPA, SACRAMENTO, SAN BENITO, SAN FRANCISCO, SANTA CLARA, SANTA CRUZ, SOLANO, YOLO, AND YUBA COUNTIES THE REMAINING COUNTIES ARE SPLIT BETWEEN AREA 1 AND AREA 2 AS NOTED

ELDORADO

Area 1: North Central

Area 2:

MONTEREY COUNTY

Area 1: Remainder

Area 2: Southwestern

PLACER

Area 1: All but the Central

Area 2:

SONOMA

Area 1: All but the Northwestern

Area 2: Reaminder.....	\$ 43.79	31.15
------------------------	----------	-------

OPERATOR: POWER EQUIPMENT, CRANES AND ATTACHMENTS

- AREA 1: GROUP 1: TRUCK CRANE OILER: Clamshell and dragline over 7 cu. yds.; Crane, over 100 tons; Derrick, over 100 tons; Derrick barge pedestal-mounted, over 100 tons; Self-propelled boom-type lifting device, over 100 tons (EL DORADO, MONTEREY, NAPA, PLACER, SACRAMENTO, SAN BENITO, SANTA CRUZ, SONOMA, SUTTER, YOLO AND YUBA COUNTIES) FOOTNOTE: Work suspended by ropes or

cables, or work on a Yo-Yo Cat: \$.60 per hour additional. ""AREA 1"" WAGE RATES ARE LISTED ""AREA 2"" RECEIVES AN ADDITIONAL \$2.00 PER HOUR ABOVE AREA 1 RATES. (SEE AREA DESCRIPTIONS BELOW) AREA 1: ALAMEDA, CONTRA COSTA, MARIN, NAPA, SACRAMENTO, SAN BENITO, SAN FRANCISCO, SANTA CLARA, SANTA CRUZ, SOLANO, YOLO, AND YUBA COUNTIES THE REMAINING COUNTIES ARE SPLIT BETWEEN AREA 1 AND AREA 2 AS NOTED

ELDORADO

Area 1: North Central

Area 2:

MONTEREY COUNTY

Area 1: Remainder

Area 2: Southwestern

PLACER

Area 1: All but the Central

Area 2:

SONOMA

Area 1: All but the Northwestern

Area 2: Reaminder.....\$ 46.08 31.15

OPERATOR: POWER EQUIPMENT, AREA 1:: GROUP 8-A: Elevator operator; Skidsteer loader-Bobcat 743 series or smaller, and similar (without attachments); Mini excavator under 25 H.P. (backhoe-trencher); Tub grinder wood chipper (EL DORADO, MONTEREY, NAPA, PLACER, SACRAMENTO, SAN BENITO, SANTA CRUZ, SONOMA, SUTTER, YOLO AND YUBA COUNTIES FOOTNOTE: Work suspended by ropes or cables, or work on a Yo-Yo Cat: \$.60 per hour additional. ""AREA 1"" WAGE RATES ARE LISTED ""AREA 2"" RECEIVES AN ADDITIONAL \$2.00 PER HOUR ABOVE AREA 1 RATES. (SEE AREA DESCRIPTIONS BELOW) AREA 1: ALAMEDA, CONTRA COSTA, MARIN, NAPA, SACRAMENTO, SAN BENITO, SAN FRANCISCO, SANTA CLARA, SANTA CRUZ, SOLANO, YOLO, AND YUBA COUNTIES THE REMAINING COUNTIES ARE SPLIT BETWEEN AREA 1 AND AREA 2 AS NOTED

ELDORADO

Area 1: North Central

Area 2:

MONTEREY COUNTY

Area 1: Remainder

Area 2: Southwestern

PLACER

Area 1: All but the Central

Area 2:

SONOMA

Area 1: All but the Northwestern

Area 2: Reaminder.....\$ 54.69 34.69

OPERATOR: POWER EQUIPMENT, AREA 1: GROUP 8: Bit sharpener; Boiler tender; Box operator; Brakeperson; Combination mixer and compressor (shotcrete/gunite); Compressor operator; Deckhand; Fire tender; Forklift (under 20 ft.); Generator; Gunite/shotcrete equipment operator; Hydraulic monitor; Ken seal machine (or similar); Mixermobile; Oiler; Pump operator; Refrigeration plant; Reservoir-debris tug (self-propelled floating); Ross Carrier (construction site); Rotomist operator; Self-propelled tape machine; Shuttlecar; Self-propelled power sweeper operator (includes vacuum sweeper); Slusher operator; Surface heater; Switchperson; Tar pot firetender; Tugger hoist, single drum; Vacuum cooling plant;

Welding machine (powered other than by electricity)
 (EL DORADO, MONTEREY, NAPA, PLACER, SACRAMENTO,
 SAN BENITO, SANTA CRUZ, SONOMA, SUTTER, YOLO AND
 YUBA COUNTIES FOOTNOTE: Work suspended by ropes or
 cables, or work on a Yo-Yo Cat: \$.60 per hour
 additional. ""AREA 1"" WAGE RATES ARE LISTED ""AREA
 2"" RECEIVES AN ADDITIONAL \$2.00 PER HOUR ABOVE AREA
 1 RATES. (SEE AREA DESCRIPTIONS BELOW) AREA 1:
 ALAMEDA, CONTRA COSTA, MARIN, NAPA, SACRAMENTO,
 SAN BENITO, SAN FRANCISCO, SANTA CLARA, SANTA CRUZ,
 SOLANO, YOLO, AND YUBA COUNTIES THE REMAINING
 COUNTIES ARE SPLIT BETWEEN AREA 1 AND AREA 2 AS
 NOTED

ELDORADO

Area 1: North Central

Area 2:

MONTEREY COUNTY

Area 1: Remainder

Area 2: Southwestern

PLACER

Area 1: All but the Central

Area 2:

SONOMA

Area 1: All but the Northwestern

Area 2: Reaminder.....\$ 56.71

34.69

OPERATOR: POWER EQUIPMENT, AREA 1: GROUP 7:

Ballast regulator; Boom truck or dual-purpose
 A-frame truck, non-rotating - under 15 tons; Cary
 lift or similar; Combination slurry mixer and/or
 cleaner; Drilling equipment, 20 ft. and under
 m.r.c.; Firetender (hot plant); Grouting machine
 operator; Highline cableway signalperson;
 Stationary belt loader (Kolman or similar); Lift
 slab machine (Vagtborg and similar types); Maginnes
 internal full slab vibrator; Material hoist (1
 drum); Mechanical trench shield; Pavement breaker
 with or without compressor combination); Pipe
 cleaning machine (tractor propelled and supported);
 Post driver; Roller (except asphalt); Chip Seal;
 Self-propelled automatically applied concrete
 curing mahcine (on streets, highways, airports and
 canals); Self-propelled compactor (without dozer);
 Signalperson; Slip-form pumps (lifting device for
 concrete forms); Tie spacer; Tower mobile;
 Trenching machine, maximum digging capacity up to
 and including 5 ft. depth; Truck- type loader (EL
 DORADO, MONTEREY, NAPA, PLACER, SACRAMENTO, SAN
 BENITO, SANTA CRUZ, SONOMA, SUTTER, YOLO AND YUBA
 COUNTIES FOOTNOTE: Work suspended by ropes or
 cables, or work on a Yo-Yo Cat: \$.60 per hour
 additional. ""AREA 1"" WAGE RATES ARE LISTED ""AREA
 2"" RECEIVES AN ADDITIONAL \$2.00 PER HOUR ABOVE AREA
 1 RATES. (SEE AREA DESCRIPTIONS BELOW) AREA 1:
 ALAMEDA, CONTRA COSTA, MARIN, NAPA, SACRAMENTO,
 SAN BENITO, SAN FRANCISCO, SANTA CLARA, SANTA CRUZ,
 SOLANO, YOLO, AND YUBA COUNTIES THE REMAINING
 COUNTIES ARE SPLIT BETWEEN AREA 1 AND AREA 2 AS
 NOTED

ELDORADO

Area 1: North Central

Area 2:

MONTEREY COUNTY

Area 1: Remainder

Area 2: Southwestern

PLACER

Area 1: All but the Central

Area 2:

SONOMA

Area 1: All but the Northwestern

Area 2: Reaminder.....\$ 57.79 34.69

OPERATOR: POWER EQUIPMENT, AREA 1: GROUP 6:
Armor-Coater (or similar); Ballast jack tamper;
Boom-type backfilling machine; Assistant plant
engineer; Bridge and/or gantry crane; Chemical
grouting machine, truck-mounted; Chip spreading
machine operator; Concrete saw (self-propelled unit
on streets, highways, airports and canals); Deck
engineer; Drilling equipment Texoma 600, Hughes 200
Series or similar up to and including 30 ft.
m.r.c.; Drill doctor; Helicopter radio operator;
Hydro-hammer or similar; Line master; Skidsteer
loader, Bobcat larger than 743 series or similar
(with attachments); Locomotive; Lull hi-lift or
similar; Oiler, truck mounted equipment; Pavement
breaker, truck-mounted, with compressor
combination; Paving fabric installation and/or
laying machine; Pipe bending machine (pipelines
only); Pipewrapping machine (tractor propelled and
supported); Screed(except asphaltic concrete
paving); Self- propelled pipeline wrapping machine;
Tractor; Self-loading chipper; Concrete barrier
moving machine (EL DORADO, MONTEREY, NAPA, PLACER,
SACRAMENTO, SAN BENITO, SANTA CRUZ, SONOMA, SUTTER,
YOLO AND YUBA COUNTIES FOOTNOTE: Work suspended
by ropes or cables, or work on a Yo-Yo Cat: \$.60
per hour additional. ""AREA 1"" WAGE RATES ARE
LISTED ""AREA 2"" RECEIVES AN ADDITIONAL \$2.00 PER
HOUR ABOVE AREA 1 RATES. (SEE AREA DESCRIPTIONS
BELOW) AREA 1: ALAMEDA, CONTRA COSTA, MARIN, NAPA,
SACRAMENTO, SAN BENITO, SAN FRANCISCO, SANTA CLARA,
SANTA CRUZ, SOLANO, YOLO, AND YUBA COUNTIES THE
REMAINING COUNTIES ARE SPLIT BETWEEN AREA 1 AND
AREA 2 AS NOTED

ELDORADO

Area 1: North Central

Area 2:

MONTEREY COUNTY

Area 1: Remainder

Area 2: Southwestern

PLACER

Area 1: All but the Central

Area 2:

SONOMA

Area 1: All but the Northwestern

Area 2: Reaminder.....\$ 58.88 34.69

OPERATOR: POWER EQUIPMENT, AREA 1: GROUP 5:
Cast-in-place pipe laying machine; Combination
slusher and motor operator; Concrete conveyor or
concrete pump, truck or equipment mounted; Concrete
conveyor, building site; Concrete pump or pumpcrete
gun; Drilling equipment, Watson 2000, Texoma 700 or
similar; Drilling and boring machinery, horizontal
(not to apply to waterliners, wagon drills or
jackhammers); Concrete mixer/all; Person and/or
material hoist; Mechanical finishers (concrete)
(Clary, Johnson, Bidwell Bridge Deck or similar
types); Mechanical burm, curb and/or curb and
gutter machine, concrete or asphalt); Mine or shaft
hoist; Portable crusher; Power jumbo operator
(setting slip-forms, etc., in tunnels); Screed

(automatic or manual); Self-propelled compactor with dozer; Tractor with boom D6 or smaller; Trenching machine, maximum digging capacity over 5 ft. depth; Vermeer T-600B rock cutter or similar (EL DORADO, MONTEREY, NAPA, PLACER, SACRAMENTO, SAN BENITO, SANTA CRUZ, SONOMA, SUTTER, YOLO AND YUBA COUNTIES FOOTNOTE: Work suspended by ropes or cables, or work on a Yo-Yo Cat: \$.60 per hour additional. ""AREA 1"" WAGE RATES ARE LISTED ""AREA 2"" RECEIVES AN ADDITIONAL \$2.00 PER HOUR ABOVE AREA 1 RATES. (SEE AREA DESCRIPTIONS BELOW) AREA 1: ALAMEDA, CONTRA COSTA, MARIN, NAPA, SACRAMENTO, SAN BENITO, SAN FRANCISCO, SANTA CLARA, SANTA CRUZ, SOLANO, YOLO, AND YUBA COUNTIES THE REMAINING COUNTIES ARE SPLIT BETWEEN AREA 1 AND AREA 2 AS NOTED

NOTED

ELDORADO

Area 1: North Central

Area 2:

MONTEREY COUNTY

Area 1: Remainder

Area 2: Southwestern

PLACER

Area 1: All but the Central

Area 2:

SONOMA

Area 1: All but the Northwestern

Area 2: Reaminder.....\$ 60.15

34.69

OPERATOR: POWER EQUIPMENT, AREA 1: GROUP 4:

Asphalt plant engineer/box person; Chicago boom; Combination backhoe and loader up to and including 3/4 cu. yd.; Concrete batch plant (wet or dry); Dozer and/or push cat; Pull- type elevating loader; Gradesetter, grade checker (GPS, mechanical or otherwise); Grooving and grinding machine; Heading shield operator; Heavy-duty drilling equipment, Hughes, LDH, Watson 3000 or similar; Heavy-duty repairperson and/or welder; Lime spreader; Loader under 4 cu. yds.; Lubrication and service engineer (mobile and grease rack); Mechanical finishers or spreader machine (asphalt, Barber-Greene and similar); Miller Formless M-9000 slope paver or similar; Portable crushing and screening plants; Power blade support; Roller operator, asphalt; Rubber-tired scraper, self-loading (paddle-wheels, etc.); Rubber- tired earthmoving equipment (scrapers); Slip form paver (concrete); Small tractor with drag; Soil stabilizer (P & H or equal); Spider plow and spider puller; Tubex pile rig; Unlicensed constuction work boat operator, on site; Timber skidder; Track loader up to 4 yds.; Tractor-drawn scraper; Tractor, compressor drill combination; Welder; Woods-Mixer (and other similar Pugmill equipment) (EL DORADO, MONTEREY, NAPA, PLACER, SACRAMENTO, SAN BENITO, SANTA CRUZ, SONOMA, SUTTER, YOLO AND YUBA COUNTIES FOOTNOTE: Work suspended by ropes or cables, or work on a Yo-Yo Cat: \$.60 per hour additional. ""AREA 1"" WAGE RATES ARE LISTED ""AREA 2"" RECEIVES AN ADDITIONAL \$2.00 PER HOUR ABOVE AREA 1 RATES. (SEE AREA DESCRIPTIONS BELOW) AREA 1: ALAMEDA, CONTRA COSTA, MARIN, NAPA, SACRAMENTO, SAN BENITO, SAN FRANCISCO, SANTA CLARA, SANTA CRUZ, SOLANO, YOLO, AND YUBA COUNTIES THE REMAINING COUNTIES ARE SPLIT BETWEEN AREA 1 AND AREA 2 AS NOTED

ELDORADO

Area 1: North Central

Area 2:

MONTEREY COUNTY

Area 1: Remainder

Area 2: Southwestern

PLACER

Area 1: All but the Central

Area 2:

SONOMA

Area 1: All but the Northwestern

Area 2: Reaminder.....\$ 61.36 34.69

OPERATOR: POWER EQUIPMENT, AREA 1: GROUP 3:

Asphalt milling machine; Cable backhoe; Combination backhoe and loader over 3/4 cu. yds.; Continuous flight tie back machine assistant to engineer or mechanic; Crane mounted continuous flight tie back machine, tonnage to apply; Crane mounted drill attachment, tonnage to apply; Dozer, slope brd; Gradall; Hydraulic excavator, up to 3 1/2 cu. yds.; Loader 4 cu. yds. and over; Long reach excavator; Multiple engine scraper (when used as push pull); Power shovels, up to and including 1 cu. yd.; Pre-stress wire wrapping machine; Side boom cat, 572 or larger; Track loader 4 cu. yds. and over; Wheel excavator (up to and including 750 cu. yds. per hour) (EL DORADO, MONTEREY, NAPA, PLACER, SACRAMENTO, SAN BENITO, SANTA CRUZ, SONOMA, SUTTER,

YOLO AND YUBA COUNTIES FOOTNOTE: Work suspended by ropes or cables, or work on a Yo-Yo Cat: \$.60 per hour additional. ""AREA 1"" WAGE RATES ARE LISTED ""AREA 2"" RECEIVES AN ADDITIONAL \$2.00 PER HOUR ABOVE AREA 1 RATES. (SEE AREA DESCRIPTIONS BELOW) AREA 1: ALAMEDA, CONTRA COSTA, MARIN, NAPA, SACRAMENTO, SAN BENITO, SAN FRANCISCO, SANTA CLARA, SANTA CRUZ, SOLANO, YOLO, AND YUBA COUNTIES THE REMAINING COUNTIES ARE SPLIT BETWEEN AREA 1 AND AREA 2 AS NOTED

ELDORADO

Area 1: North Central

Area 2:

MONTEREY COUNTY

Area 1: Remainder

Area 2: Southwestern

PLACER

Area 1: All but the Central

Area 2:

SONOMA

Area 1: All but the Northwestern

Area 2: Reaminder.....\$ 62.69 34.69

OPERATOR: POWER EQUIPMENT, AREA 1: GROUP 2:

Highline cableway; Hydraulic excavator, 3-1/2 cu. yds. up to 7 cu. yds.; Licensed construction work boat operator, on site; Power blade operator (finish); Power shovels, over 1 cu. yd. up to and including 7 cu. yds. m.r.c. (EL DORADO, MONTEREY, NAPA, PLACER, SACRAMENTO, SAN BENITO, SANTA CRUZ, SONOMA, SUTTER, YOLO AND YUBA COUNTIES FOOTNOTE: Work suspended by ropes or cables, or work on a Yo-Yo Cat: \$.60 per hour additional. ""AREA 1"" WAGE RATES ARE LISTED ""AREA 2"" RECEIVES AN ADDITIONAL \$2.00 PER HOUR ABOVE AREA 1 RATES. (SEE AREA DESCRIPTIONS BELOW) AREA 1: ALAMEDA, CONTRA COSTA, MARIN, NAPA, SACRAMENTO, SAN BENITO, SAN FRANCISCO, SANTA CLARA, SANTA CRUZ, SOLANO, YOLO,

AND YUBA COUNTIES THE REMAINING COUNTIES ARE SPLIT BETWEEN AREA 1 AND AREA 2 AS NOTED

ELDORADO

Area 1: North Central

Area 2:

MONTEREY COUNTY

Area 1: Remainder

Area 2: Southwestern

PLACER

Area 1: All but the Central

Area 2:

SONOMA

Area 1: All but the Northwestern

Area 2: Reaminder.....\$ 64.09 34.69

OPERATOR: POWER EQUIPMENT, AREA 1: GROUP 1:

Operator of helicopter (when used in erection work); Hydraulic excavator, 7 cu. yds. and over; Power shovels, over 7cu. yds. (EL DORADO, MONTEREY, NAPA, PLACER, SACRAMENTO, SAN BENITO, SANTA CRUZ, SONOMA, SUTTER, YOLO AND YUBA COUNTIES FOOTNOTE:

Work suspended by ropes or cables, or work on a Yo-Yo Cat: \$.60 per hour additional. ""AREA 1"" WAGE RATES ARE LISTED ""AREA 2"" RECEIVES AN ADDITIONAL \$2.00 PER HOUR ABOVE AREA 1 RATES. (SEE AREA DESCRIPTIONS BELOW) AREA 1: ALAMEDA, CONTRA COSTA, MARIN, NAPA, SACRAMENTO, SAN BENITO, SAN FRANCISCO, SANTA CLARA, SANTA CRUZ, SOLANO, YOLO, AND YUBA COUNTIES THE REMAINING COUNTIES ARE SPLIT BETWEEN AREA 1 AND AREA 2 AS NOTED

ELDORADO

Area 1: North Central

Area 2:

MONTEREY COUNTY

Area 1: Remainder

Area 2: Southwestern

PLACER

Area 1: All but the Central

Area 2:

SONOMA

Area 1: All but the Northwestern

Area 2: Reaminder.....\$ 65.54 34.69

ENGI0003-010 06/30/2025

Rates

Fringes

OPERATOR: POWER EQUIPMENT, CRANES AND ATTACHMENTS - AREA 1: GROUP 4: CRANES: Boom Truck or dual purpose A-frame truck, non-rotating over 15 tons; Truck-mounted rotating telescopic boom type lifting device, Manitex or similar (boom truck) over 15 tons; Truck-mounted rotating telescopic boom type lifting device, Manitex or similar (boom truck) - under 15 tons;(ALAMEDA, CONTRA COSTA, MARIN, SAN FRANCISCO, SAN MATEO, SANTA CLARA AND SOLANO COUNTIES) FOOTNOTE: Work suspended by ropes or cables, or work on a Yo-Yo Cat: \$.60 per hour additional. ""AREA 1"" WAGES RATES ARE LISTED. AREA 2"" RECEIVES AN ADDITIONAL \$2.00 PER HOUR ABOVE AREA 1

AREA DESCRIPTIONS: AREA 1: ALAMEDA, CONTRA COSTA, MARIN, NAPA, SACRAMENTO, SAN BENITO, SAN FRANCISCO, SANTA CLARA, SANTA CRUZ, SOLANO, AND YUBA THE REMAINING COUNTIES ARE SPLIT BETWEEN AREA 1 AND AREA 2

NOTED

ELDORADO

Area 1: North Central

Area 2:

MONTEREY COUNTY

Area 1: Remainder

Area 2: Southwestern

PLACER

Area 1: All but the Central

Area 2: Remainder.....\$ 37.86 28.03

OPERATOR: POWER EQUIPMENT, CRANES AND ATTACHMENTS

- AREA 1: GROUP 3: TRUCK CRAINE OILER: Clamshell and dragline up to and including 1 cu. yd.; Cranes 45 tons and under; Self-propelled boom-type lifting device 45 tons and under (ALAMEDA, CONTRA COSTA, MARIN, SAN FRANCISCO, SAN MATEO, SANTA CLARA AND SOLANO COUNTIES) FOOTNOTE: Work suspended by ropes or cables, or work on a Yo-Yo Cat: \$.60 per hour additional. ""AREA 1"" WAGES RATES ARE LISTED. AREA 2"" RECEIVES AN ADDITIONAL \$2.00 PER HOUR ABOVE AREA 1

AREA DESCRIPTIONS: AREA 1: ALAMEDA, CONTRA COSTA, MARIN, NAPA, SACRAMENTO, SAN BENITO, SAN FRANCISCO, SANTA CLARA, SANTA CRUZ, SOLANO, YOLO, AND YUBA

THE REMAINING COUNTIES ARE SPLIT BETWEEN AREA 1 AND AREA 2 AS NOTED

ELDORADO

Area 1: North Central

Area 2:

MONTEREY COUNTY

Area 1: Remainder

Area 2: Southwestern

PLACER

Area 1: All but the Central

Area 2: Remainder.....\$ 37.58 28.03

OPERATOR: POWER EQUIPMENT, CRANES AND ATTACHMENTS

- AREA 1: GROUP 3: OILER: Clamshell and dragline up to and including 1 cu. yd.; Cranes 45 tons and under; Self-propelled boom-type lifting device 45 tons and under (ALAMEDA, CONTRA COSTA, MARIN, SAN FRANCISCO, SAN MATEO, SANTA CLARA AND SOLANO COUNTIES) FOOTNOTE: Work suspended by ropes or cables, or work on a Yo-Yo Cat: \$.60 per hour additional. ""AREA 1"" WAGES RATES ARE LISTED. AREA 2"" RECEIVES AN ADDITIONAL \$2.00 PER HOUR ABOVE AREA 1

AREA DESCRIPTIONS: AREA 1: ALAMEDA, CONTRA COSTA, MARIN, NAPA, SACRAMENTO, SAN BENITO, SAN FRANCISCO, SANTA CLARA, SANTA CRUZ, SOLANO, YOLO, AND YUBA

THE REMAINING COUNTIES ARE SPLIT BETWEEN AREA 1 AND AREA 2 AS NOTED

ELDORADO

Area 1: North Central

Area 2:

MONTEREY COUNTY

Area 1: Remainder

Area 2: Southwestern

PLACER

Area 1: All but the Central

Area 2: Remainder.....\$ 35.11 28.03

OPERATOR: POWER EQUIPMENT, CRANES AND ATTACHMENTS

- AREA 1: GROUP 3: HYDRAULIC: Clamshell and dragline up to and including 1 cu. yd.; Cranes 45

tons and under; Self-propelled boom-type lifting device 45 tons and under (ALAMEDA, CONTRA COSTA, MARIN, SAN FRANCISCO, SAN MATEO, SANTA CLARA AND SOLANO COUNTIES) FOOTNOTE: Work suspended by ropes or cables, or work on a Yo-Yo Cat: \$.60 per hour additional. ""AREA 1"" WAGES RATES ARE LISTED. AREA 2"" RECEIVES AN ADDITIONAL \$2.00 PER HOUR ABOVE AREA 1

AREA DESCRIPTIONS: AREA 1: ALAMEDA, CONTRA COSTA, MARIN, NAPA, SACRAMENTO, SAN BENITO, SAN FRANCISCO, SANTA CLARA, SANTA CRUZ, SOLANO, AND YUBA

THE REMAINING COUNTIES ARE SPLIT BETWEEN AREA 1 AND AREA 2

NOTED
ELDORADO

Area 1: North Central

Area 2:

MONTEREY COUNTY

Area 1: Remainder

Area 2: Southwestern

PLACER

Area 1: All but the Central

Area 2: Remainder.....\$ 37.20 28.03

OPERATOR: POWER EQUIPMENT, CRANES AND ATTACHMENTS
- AREA 1: GROUP 3: CRANES: Clamshell and dragline up to and including 1 cu. yd.; Cranes 45 tons and under; Self-propelled boom-type lifting device 45 tons and under (ALAMEDA, CONTRA COSTA, MARIN, SAN FRANCISCO, SAN MATEO, SANTA CLARA AND SOLANO COUNTIES) FOOTNOTE: Work suspended by ropes or cables, or work on a Yo-Yo Cat: \$.60 per hour additional. ""AREA 1"" WAGES RATES ARE LISTED. AREA 2"" RECEIVES AN ADDITIONAL \$2.00 PER HOUR ABOVE AREA 1

AREA DESCRIPTIONS: AREA 1: ALAMEDA, CONTRA COSTA, MARIN, NAPA, SACRAMENTO, SAN BENITO, SAN FRANCISCO, SANTA CLARA, SANTA CRUZ, SOLANO, AND YUBA

THE REMAINING COUNTIES ARE SPLIT BETWEEN AREA 1 AND AREA 2

NOTED
ELDORADO

Area 1: North Central

Area 2:

MONTEREY COUNTY

Area 1: Remainder

Area 2: Southwestern

PLACER

Area 1: All but the Central

Area 2: Remainder.....\$ 63.06 34.69

OPERATOR: POWER EQUIPMENT, CRANES AND ATTACHMENTS
- AREA 1: GROUP 2: TRUCK CRANE OILER: Clamshell and dragline over 1 cu. yd. up to and including 7 cu. yds.; Crane, over 45 tons up to and including 100 tons; Derrick barge, 100 tons and under; Self-propelled boom-type lifting device, over 45 tons; Tower crane (ALAMEDA, CONTRA COSTA, MARIN, SAN FRANCISCO, SAN MATEO, SANTA CLARA AND SOLANO COUNTIES) FOOTNOTE: Work suspended by ropes or cables, or work on a Yo-Yo Cat: \$.60 per hour additional. ""AREA 1"" WAGES RATES ARE LISTED. AREA 2"" RECEIVES AN ADDITIONAL \$2.00 PER HOUR ABOVE AREA 1

AREA DESCRIPTIONS: AREA 1: ALAMEDA, CONTRA COSTA,

MARIN, NAPA, SACRAMENTO, SAN BENITO, SAN FRANCISCO, SANTA CLARA, SANTA CRUZ, SOLANO, AND YUBA
THE REMAINING COUNTIES ARE SPLIT BETWEEN AREA 1 AND AREA 2

NOTED
ELDORADO

Area 1: North Central

Area 2:

MONTEREY COUNTY

Area 1: Remainder

Area 2: Southwestern

PLACER

Area 1: All but the Central

Area 2: Remainder.....\$ 37.83 28.03

OPERATOR: POWER EQUIPMENT, CRANES AND ATTACHMENTS
- AREA 1: GROUP 2: OILER: Clamshell and dragline over 1 cu. yd. up to and including 7 cu. yds.; Crane, over 45 tons up to and including 100 tons; Derrick barge, 100 tons and under; Self-propelled boom-type lifting device, over 45 tons; Tower crane (ALAMEDA, CONTRA COSTA, MARIN, SAN FRANCISCO, SAN MATEO, SANTA CLARA AND SOLANO COUNTIES) FOOTNOTE: Work suspended by ropes or cables, or work on a Yo-Yo Cat: \$.60 per hour additional. ""AREA 1"" WAGES RATES ARE LISTED. AREA 2"" RECEIVES AN ADDITIONAL \$2.00 PER HOUR ABOVE AREA 1

AREA DESCRIPTIONS: AREA 1: ALAMEDA, CONTRA COSTA, MARIN, NAPA, SACRAMENTO, SAN BENITO, SAN FRANCISCO, SANTA CLARA, SANTA CRUZ, SOLANO, AND YUBA

THE REMAINING COUNTIES ARE SPLIT BETWEEN AREA 1 AND AREA 2

NOTED
ELDORADO

Area 1: North Central

Area 2:

MONTEREY COUNTY

Area 1: Remainder

Area 2: Southwestern

PLACER

Area 1: All but the Central

Area 2: Remainder.....\$ 35.34 28.03

OPERATOR: POWER EQUIPMENT, CRANES AND ATTACHMENTS
- AREA 1: GROUP 2: CRANES: Clamshell and dragline over 1 cu. yd. up to and including 7 cu. yds.; Crane, over 45 tons up to and including 100 tons; Derrick barge, 100 tons and under; Self-propelled boom-type lifting device, over 45 tons; Tower crane (ALAMEDA, CONTRA COSTA, MARIN, SAN FRANCISCO, SAN MATEO, SANTA CLARA AND SOLANO COUNTIES) FOOTNOTE: Work suspended by ropes or cables, or work on a Yo-Yo Cat: \$.60 per hour additional. ""AREA 1"" WAGES RATES ARE LISTED. AREA 2"" RECEIVES AN ADDITIONAL \$2.00 PER HOUR ABOVE AREA 1

AREA DESCRIPTIONS: AREA 1: ALAMEDA, CONTRA COSTA, MARIN, NAPA, SACRAMENTO, SAN BENITO, SAN FRANCISCO, SANTA CLARA, SANTA CRUZ, SOLANO, AND YUBA

THE REMAINING COUNTIES ARE SPLIT BETWEEN AREA 1 AND AREA 2

NOTED
ELDORADO

Area 1: North Central

Area 2:

MONTEREY COUNTY

Area 1: Remainder

Area 2: Southwestern

PLACER

Area 1: All but the Central

Area 2: Remainder.....\$ 64.70 34.69

OPERATOR: POWER EQUIPMENT, CRANES AND ATTACHMENTS
- AREA 1: GROUP 1: CRANES: Clamshell and dragline
over 7 cu. yds.; Crane, over 100 tons; Derrick,
over 100 tons; Derrick barge pedestal-mounted, over
100 tons; Self-propelled boom-type lifting device,
over 100 tons (ALAMEDA, CONTRA COSTA, MARIN, SAN
FRANCISCO, SAN MATEO, SANTA CLARA AND SOLANO
COUNTIES) FOOTNOTE: Work suspended by ropes or
cables, or work on a Yo-Yo Cat: \$.60 per hour
additional. ""AREA 1"" WAGES RATES ARE LISTED. AREA
2"" RECEIVES AN ADDITIONAL \$2.00 PER HOUR ABOVE AREA
1

AREA DESCRIPTIONS: AREA 1: ALAMEDA, CONTRA COSTA,
MARIN, NAPA, SACRAMENTO, SAN BENITO, SAN
FRANCISCO, SANTA CLARA, SANTA CRUZ, SOLANO,
AND YUBA

THE REMAINING COUNTIES ARE SPLIT BETWEEN AREA 1 AND
AREA 2

NOTED

ELDORADO

Area 1: North Central

Area 2:

MONTEREY COUNTY

Area 1: Remainder

Area 2: Southwestern

PLACER

Area 1: All but the Central

Area 2: Remainder.....\$ 66.39 34.69

OPERATOR: POWER EQUIPMENT, CRANES AND ATTACHMENTS
- AREA 1: GROUP 1: OILER: Clamshell and dragline
over 7 cu. yds.; Crane, over 100 tons; Derrick,
over 100 tons; Derrick barge pedestal-mounted, over
100 tons; Self-propelled boom-type lifting device,
over 100 tons (ALAMEDA, CONTRA COSTA, MARIN, SAN
FRANCISCO, SAN MATEO, SANTA CLARA AND SOLANO
COUNTIES) FOOTNOTE: Work suspended by ropes or
cables, or work on a Yo-Yo Cat: \$.60 per hour
additional. ""AREA 1"" WAGES RATES ARE LISTED. AREA
2"" RECEIVES AN ADDITIONAL \$2.00 PER HOUR ABOVE AREA
1

AREA DESCRIPTIONS: AREA 1: ALAMEDA, CONTRA COSTA,
MARIN, NAPA, SACRAMENTO, SAN BENITO, SAN
FRANCISCO, SANTA CLARA, SANTA CRUZ, SOLANO,
AND YUBA

THE REMAINING COUNTIES ARE SPLIT BETWEEN AREA 1 AND
AREA 2

NOTED

ELDORADO

Area 1: North Central

Area 2:

MONTEREY COUNTY

Area 1: Remainder

Area 2: Southwestern

PLACER

Area 1: All but the Central

Area 2: Remainder.....\$ 35.59 28.03

OPERATOR: POWER EQUIPMENT, CRANES AND ATTACHMENTS
- AREA 1: GROUP 1: TRUCK CRANE OILER: Clamshell and
dragline over 7 cu. yds.; Crane, over 100 tons;

Derrick, over 100 tons; Derrick barge pedestal-mounted, over 100 tons; Self-propelled boom-type lifting device, over 100 tons (ALAMEDA, CONTRA COSTA, MARIN, SAN FRANCISCO, SAN MATEO, SANTA CLARA AND SOLANO COUNTIES) FOOTNOTE: Work suspended by ropes or cables, or work on a Yo-Yo Cat: \$.60 per hour additional. ""AREA 1"" WAGES RATES ARE LISTED. AREA 2"" RECEIVES AN ADDITIONAL \$2.00 PER HOUR ABOVE AREA 1

AREA DESCRIPTIONS: AREA 1: ALAMEDA, CONTRA COSTA, MARIN, NAPA, SACRAMENTO, SAN BENITO, SAN FRANCISCO, SANTA CLARA, SANTA CRUZ, SOLANO, AND YUBA
THE REMAINING COUNTIES ARE SPLIT BETWEEN AREA 1 AND AREA 2

NOTED
ELDORADO

Area 1: North Central

Area 2:

MONTEREY COUNTY

Area 1: Remainder

Area 2: Southwestern

PLACER

Area 1: All but the Central

Area 2: Remainder.....\$ 38.05 28.03

OPERATOR: POWER EQUIPMENT, AREA 1:GROUP 8-A:
Elevator operator; Skidsteer loader-Bobcat 743 series or smaller, and similar (without attachments); Mini excavator under 25 H.P. (backhoe-trencher); Tub grinder wood chipper (ALAMEDA, CONTRA COSTA, MARIN, SAN FRANCISCO, SAN MATEO, SANTA CLARA AND SOLANO COUNTIES) ""AREA 1"" WAGE RATES ARE LISTED ""AREA 2"" RECEIVES AN ADDITIONAL \$2.00 PER HOUR ABOVE AREA 1 RATES. (SEE AREA DESCRIPTIONS BELOW) FOOTNOTE: Work suspended by ropes or cables, or work on a Yo-Yo Cat: \$.60 per hour additional. AREA 1: ALAMEDA, CONTRA COSTA, MARIN, NAPA, SACRAMENTO, SAN BENITO, SAN FRANCISCO, SANTA CLARA, SANTA CRUZ, SOLANO, YOLO, AND YUBA

THE REMAINING COUNTIES ARE SPLIT BETWEEN AREA 1 AND AREA 2 AS NOTED

ELDORADO

Area 1: North Central

Area 2:

MONTEREY COUNTY

Area 1: Remainder

Area 2: Southwestern

PLACER

Area 1: All but the Central

Area 2: Remainder.....\$ 54.69 34.69

OPERATOR: POWER EQUIPMENT, AREA 1: GROUP 8: Bit sharpener; Boiler tender; Box operator; Brakeperson; Combination mixer and compressor (shotcrete/gunite); Compressor operator; Deckhand; Fire tender; Forklift (under 20 ft.); Generator; Gunite/shotcrete equipment operator; Hydraulic monitor; Ken seal machine (or similar); Mixermobile; Oiler; Pump operator; Refrigeration plant; Reservoir-debris tug (self-propelled floating); Ross Carrier (construction site); Rotomist operator; Self-propelled tape machine; Shuttlecar; Self-propelled power sweeper operator (includes vacuum sweeper); Slusher operator; Surface heater; Switchperson; Tar pot firetender;

Tugger hoist, single drum; Vacuum cooling plant;
 Welding machine (powered other than by electricity)
 (ALAMEDA, CONTRA COSTA, MARIN, SAN FRANCISCO, SAN
 MATEO, SANTA CLARA AND SOLANO COUNTIES ""AREA 1""
 WAGE RATES ARE LISTED BELOW ""AREA 2"" RECEIVES AN
 ADDITIONAL \$2.00 PER HOUR ABOVE AREA 1 RATES. SEE
 AREA DESCRIPTIONS BELOW) FOOTNOTE: Work suspended
 by ropes or cables, or work on a Yo-Yo Cat: \$.60
 per hour additional. ""AREA 1"" WAGE RATES ARE
 LISTED ""AREA 2"" RECEIVES AN ADDITIONAL \$2.00 PER
 HOUR ABOVE AREA 1 RATES. (SEE AREA DESCRIPTIONS
 BELOW) FOOTNOTE: Work suspended by ropes or cables,
 or work on a Yo-Yo Cat: \$.60 per hour additional.
 AREA 1: ALAMEDA, CONTRA COSTA, MARIN, NAPA,
 SACRAMENTO, SAN BENITO, SAN FRANCISCO, SANTA CLARA,
 SANTA CRUZ, SOLANO, YOLO, AND YUBA
 THE REMAINING COUNTIES ARE SPLIT BETWEEN AREA 1 AND
 AREA 2 AS NOTED

ELDORADO

Area 1: North Central

Area 2:

MONTEREY COUNTY

Area 1: Remainder

Area 2: Southwestern

PLACER

Area 1: All but the Central

Area 2: Remainder.....	\$ 56.71	34.69
------------------------	----------	-------

OPERATOR: POWER EQUIPMENT, AREA 1: GROUP 7:
 Ballast regulator; Boom truck or dual-purpose
 A-frame truck, non-rotating - under 15 tons; Cary
 lift or similar; Combination slurry mixer and/or
 cleaner; Drilling equipment, 20 ft. and under
 m.r.c.; Firetender (hot plant); Grouting machine
 operator; Highline cableway signalperson;
 Stationary belt loader (Kolman or similar); Lift
 slab machine (Vagtborg and similar types); Maginnes
 internal full slab vibrator; Material hoist (1
 drum); Mechanical trench shield; Pavement breaker
 with or without compressor combination); Pipe
 cleaning machine (tractor propelled and supported);
 Post driver; Roller (except asphalt); Chip Seal;
 Self-propelled automatically applied concrete
 curing machine (on streets, highways, airports and
 canals); Self-propelled compactor (without dozer);
 Signalperson; Slip-form pumps (lifting device for
 concrete forms); Tie spacer; Tower mobile;
 Trenching machine, maximum digging capacity up to
 and including 5 ft. depth; Truck- type loader
 (ALAMEDA, CONTRA COSTA, MARIN, SAN FRANCISCO, SAN
 MATEO, SANTA CLARA AND SOLANO COUNTIES ""AREA 1""
 WAGE RATES ARE LISTED BELOW ""AREA 2"" RECEIVES AN
 ADDITIONAL \$2.00 PER HOUR ABOVE AREA 1 RATES. SEE
 AREA DESCRIPTIONS BELOW) FOOTNOTE: Work suspended
 by ropes or cables, or work on a Yo-Yo Cat: \$.60
 per hour additional. ""AREA 1"" WAGE RATES ARE
 LISTED ""AREA 2"" RECEIVES AN ADDITIONAL \$2.00 PER
 HOUR ABOVE AREA 1 RATES. (SEE AREA DESCRIPTIONS
 BELOW) FOOTNOTE: Work suspended by ropes or cables,
 or work on a Yo-Yo Cat: \$.60 per hour additional.
 AREA 1: ALAMEDA, CONTRA COSTA, MARIN, NAPA,
 SACRAMENTO, SAN BENITO, SAN FRANCISCO, SANTA CLARA,
 SANTA CRUZ, SOLANO, YOLO, AND YUBA
 THE REMAINING COUNTIES ARE SPLIT BETWEEN AREA 1 AND
 AREA 2 AS NOTED

ELDORADO

Area 1: North Central

Area 2:

MONTEREY COUNTY

Area 1: Remainder

Area 2: Southwestern

PLACER

Area 1: All but the Central

Area 2: Remainder.....\$ 57.79 34.69

OPERATOR: POWER EQUIPMENT, AREA 1: GROUP 6:
 Armor-Coater (or similar); Ballast jack tamper;
 Boom- type backfilling machine; Assistant plant
 engineer; Bridge and/or gantry crane; Chemical
 grouting machine, truck-mounted; Chip spreading
 machine operator; Concrete saw (self-propelled unit
 on streets, highways, airports and canals); Deck
 engineer; Drilling equipment Texoma 600, Hughes 200
 Series or similar up to and including 30 ft.
 m.r.c.; Drill doctor; Helicopter radio operator;
 Hydro-hammer or similar; Line master; Skidsteer
 loader, Bobcat larger than 743 series or similar
 (with attachments); Locomotive; Lull hi-lift or
 similar; Oiler, truck mounted equipment; Pavement
 breaker, truck-mounted, with compressor
 combination; Paving fabric installation and/or
 laying machine; Pipe bending machine (pipelines
 only); Pipe wrapping machine (tractor propelled and
 supported); Screed (except asphaltic concrete
 paving); Self- propelled pipeline wrapping machine;
 Tractor; Self-loading chipper; Concrete barrier
 moving machine (ALAMEDA, CONTRA COSTA, MARIN, SAN
 FRANCISCO, SAN MATEO, SANTA CLARA AND SOLANO
 COUNTIES ""AREA 1"" WAGE RATES ARE LISTED BELOW
 ""AREA 2"" RECEIVES AN ADDITIONAL \$2.00 PER HOUR
 ABOVE AREA 1 RATES. SEE AREA DESCRIPTIONS BELOW)
 FOOTNOTE: Work suspended by ropes or cables, or
 work on a Yo-Yo Cat: \$.60 per hour additional.
 ""AREA 1"" WAGE RATES ARE LISTED ""AREA 2"" RECEIVES
 AN ADDITIONAL \$2.00 PER HOUR ABOVE AREA 1 RATES.
 (SEE AREA DESCRIPTIONS BELOW) FOOTNOTE: Work
 suspended by ropes or cables, or work on a Yo-Yo
 Cat: \$.60 per hour additional. AREA 1: ALAMEDA,
 CONTRA COSTA, MARIN, NAPA, SACRAMENTO, SAN BENITO,
 SAN FRANCISCO, SANTA CLARA, SANTA CRUZ, SOLANO,
 YOLO, AND YUBA
 THE REMAINING COUNTIES ARE SPLIT BETWEEN AREA 1 AND
 AREA 2 AS NOTED

Area 1: North Central

Area 2:

MONTEREY COUNTY

Area 1: Remainder

Area 2: Southwestern

PLACER

Area 1: All but the Central

Area 2: Remainder.....\$ 58.88 34.69

OPERATOR: POWER EQUIPMENT, AREA 1: GROUP 5:
 Cast-in-place pipe laying machine; Combination
 slusher and motor operator; Concrete conveyor or
 concrete pump, truck or equipment mounted; Concrete
 conveyor, building site; Concrete pump or pumpcrete
 gun; Drilling equipment, Watson 2000, Texoma 700 or
 similar; Drilling and boring machinery, horizontal
 (not to apply to waterliners, wagon drills or
 jackhammers); Concrete mixer/all; Person and/or
 material hoist; Mechanical finishers (concrete)

(Clary, Johnson, Bidwell Bridge Deck or similar types); Mechanical burm, curb and/or curb and gutter machine, concrete or asphalt); Mine or shaft hoist; Portable crusher; Power jumbo operator (setting slip-forms, etc., in tunnels); Screed (automatic or manual); Self-propelled compactor with dozer; Tractor with boom D6 or smaller; Trenching machine, maximum digging capacity over 5 ft. depth; Vermeer T-600B rock cutter or similar (ALAMEDA, CONTRA COSTA, MARIN, SAN FRANCISCO, SAN MATEO, SANTA CLARA AND SOLANO COUNTIES ""AREA 1"" WAGE RATES ARE LISTED BELOW ""AREA 2"" RECEIVES AN ADDITIONAL \$2.00 PER HOUR ABOVE AREA 1 RATES. SEE AREA DESCRIPTIONS BELOW) FOOTNOTE: Work suspended by ropes or cables, or work on a Yo-Yo Cat: \$.60 per hour additional. ""AREA 1"" WAGE RATES ARE LISTED ""AREA 2"" RECEIVES AN ADDITIONAL \$2.00 PER HOUR ABOVE AREA 1 RATES. (SEE AREA DESCRIPTIONS BELOW) FOOTNOTE: Work suspended by ropes or cables, or work on a Yo-Yo Cat: \$.60 per hour additional. AREA 1: ALAMEDA, CONTRA COSTA, MARIN, NAPA, SACRAMENTO, SAN BENITO, SAN FRANCISCO, SANTA CLARA, SANTA CRUZ, SOLANO, YOLO, AND YUBA THE REMAINING COUNTIES ARE SPLIT BETWEEN AREA 1 AND AREA 2 AS NOTED

ELDORADO

Area 1: North Central

Area 2:

MONTEREY COUNTY

Area 1: Remainder

Area 2: Southwestern

PLACER

Area 1: All but the Central

Area 2: Remainder.....\$ 60.15

34.69

OPERATOR: POWER EQUIPMENT, AREA 1: GROUP 4:

Asphalt plant engineer/box person; Chicago boom; Combination backhoe and loader up to and including 3/4 cu. yd.; Concrete batch plant (wet or dry); Dozer and/or push cat; Pull- type elevating loader; Gradesetter, grade checker (GPS, mechanical or otherwise); Grooving and grinding machine; Heading shield operator; Heavy-duty drilling equipment, Hughes, LDH, Watson 3000 or similar; Heavy-duty repairperson and/or welder; Lime spreader; Loader under 4 cu. yds.; Lubrication and service engineer (mobile and grease rack); Mechanical finishers or spreader machine (asphalt, Barber-Greene and similar); Miller Formless M-9000 slope paver or similar; Portable crushing and screening plants; Power blade support; Roller operator, asphalt; Rubber-tired scraper, self-loading (paddle-wheels, etc.); Rubber- tired earthmoving equipment (scrapers); Slip form paver (concrete); Small tractor with drag; Soil stabilizer (P & H or equal); Spider plow and spider puller; Tubex pile rig; Unlicensed constuction work boat operator, on site; Timber skidder; Track loader up to 4 yds.; Tractor-drawn scraper; Tractor, compressor drill combination; Welder; Woods-Mixer (and other similar Pugmill equipment) (ALAMEDA, CONTRA COSTA, MARIN, SAN FRANCISCO, SAN MATEO, SANTA CLARA AND SOLANO COUNTIES ""AREA 1"" WAGE RATES ARE LISTED BELOW ""AREA 2"" RECEIVES AN ADDITIONAL \$2.00 PER HOUR ABOVE AREA 1 RATES. SEE AREA DESCRIPTIONS BELOW) FOOTNOTE: Work suspended by ropes or cables, or

work on a Yo-Yo Cat: \$.60 per hour additional.
 ""AREA 1"" WAGE RATES ARE LISTED ""AREA 2"" RECEIVES
 AN ADDITIONAL \$2.00 PER HOUR ABOVE AREA 1 RATES.
 (SEE AREA DESCRIPTIONS BELOW) FOOTNOTE: Work
 suspended by ropes or cables, or work on a Yo-Yo
 Cat: \$.60 per hour additional. AREA 1: ALAMEDA,
 CONTRA COSTA, MARIN, NAPA, SACRAMENTO, SAN BENITO,
 SAN FRANCISCO, SANTA CLARA, SANTA CRUZ, SOLANO,
 YOLO, AND YUBA

THE REMAINING COUNTIES ARE SPLIT BETWEEN AREA 1 AND
 AREA 2 AS NOTED

ELDORADO

Area 1: North Central

Area 2:

MONTEREY COUNTY

Area 1: Remainder

Area 2: Southwestern

PLACER

Area 1: All but the Central

Area 2: Remainder.....\$ 61.36 34.69

OPERATOR: POWER EQUIPMENT, AREA 1: GROUP 3:
 Asphalt milling machine; Cable backhoe; Combination
 backhoe and loader over 3/4 cu. yds.; Continuous
 flight tie back machine assistant to engineer or
 mechanic; Crane mounted continuous flight tie back
 machine, tonnage to apply; Crane mounted drill
 attachment, tonnage to apply; Dozer, slope brd;
 Gradall; Hydraulic excavator, up to 3 1/2 cu. yds.;
 Loader 4 cu. yds. and over; Long reach excavator;
 Multiple engine scraper (when used as push pull);
 Power shovels, up to and including 1 cu. yd.;
 Pre-stress wire wrapping machine; Side boom cat,
 572 or larger; Track loader 4 cu. yds. and over;
 Wheel excavator (up to and including 750 cu. yds.
 per hour) (ALAMEDA, CONTRA COSTA, MARIN, SAN
 FRANCISCO, SAN MATEO, SANTA CLARA AND SOLANO
 COUNTIES ""AREA 1"" WAGE RATES ARE LISTED BELOW
 ""AREA 2"" RECEIVES AN ADDITIONAL \$2.00 PER HOUR
 ABOVE AREA 1 RATES. SEE AREA DESCRIPTIONS BELOW)
 FOOTNOTE: Work suspended by ropes or cables, or
 work on a Yo-Yo Cat: \$.60 per hour additional.

""AREA 1"" WAGE RATES ARE LISTED ""AREA 2"" RECEIVES
 AN ADDITIONAL \$2.00 PER HOUR ABOVE AREA 1 RATES.
 (SEE AREA DESCRIPTIONS BELOW) FOOTNOTE: Work
 suspended by ropes or cables, or work on a Yo-Yo
 Cat: \$.60 per hour additional. AREA 1: ALAMEDA,
 CONTRA COSTA, MARIN, NAPA, SACRAMENTO, SAN BENITO,
 SAN FRANCISCO, SANTA CLARA, SANTA CRUZ, SOLANO,
 YOLO, AND YUBA

THE REMAINING COUNTIES ARE SPLIT BETWEEN AREA 1 AND
 AREA 2 AS NOTED

ELDORADO

Area 1: North Central

Area 2:

MONTEREY COUNTY

Area 1: Remainder

Area 2: Southwestern

PLACER

Area 1: All but the Central

Area 2: Remainder.....\$ 62.69 34.69

OPERATOR: POWER EQUIPMENT, AREA 1: GROUP 2:
 Highline cableway; Hydraulic excavator, 3-1/2 cu.
 yds. up to 7 cu. yds.; Licensed construction work
 boat operator, on site; Power blade operator
 (finish); Power shovels, over 1 cu. yd. up to and

including 7 cu. yds. m.r.c. (ALAMEDA, CONTRA COSTA, MARIN, SAN FRANCISCO, SAN MATEO, SANTA CLARA AND SOLANO COUNTIES ""AREA 1"" WAGE RATES ARE LISTED BELOW ""AREA 2"" RECEIVES AN ADDITIONAL \$2.00 PER HOUR ABOVE AREA 1 RATES. SEE AREA DESCRIPTIONS BELOW) FOOTNOTE: Work suspended by ropes or cables, or work on a Yo-Yo Cat: \$.60 per hour additional. ""AREA 1"" WAGE RATES ARE LISTED ""AREA 2"" RECEIVES AN ADDITIONAL \$2.00 PER HOUR ABOVE AREA 1 RATES. (SEE AREA DESCRIPTIONS BELOW) FOOTNOTE: Work suspended by ropes or cables, or work on a Yo-Yo Cat: \$.60 per hour additional. AREA 1: ALAMEDA, CONTRA COSTA, MARIN, NAPA, SACRAMENTO, SAN BENITO, SAN FRANCISCO, SANTA CLARA, SANTA CRUZ, SOLANO, YOLO, AND YUBA THE REMAINING COUNTIES ARE SPLIT BETWEEN AREA 1 AND AREA 2 AS NOTED ELDORADO

Area 1: North Central

Area 2:

MONTEREY COUNTY

Area 1: Remainder

Area 2: Southwestern

PLACER

Area 1: All but the Central

Area 2: Remainder.....	\$ 64.09	34.69
------------------------	----------	-------

OPERATOR: POWER EQUIPMENT, AREA 1: GROUP 1:
 Operator of helicopter (when used in erection work); Hydraulic excavator, 7 cu. yds. and over; Power shovels, over 7 cu. yds. (ALAMEDA, CONTRA COSTA, MARIN, SAN FRANCISCO, SAN MATEO, SANTA CLARA AND SOLANO COUNTIES ""AREA 1"" WAGE RATES ARE LISTED BELOW ""AREA 2"" RECEIVES AN ADDITIONAL \$2.00 PER HOUR ABOVE AREA 1 RATES. SEE AREA DESCRIPTIONS BELOW) FOOTNOTE: Work suspended by ropes or cables, or work on a Yo-Yo Cat: \$.60 per hour additional. ""AREA 1"" WAGE RATES ARE LISTED ""AREA 2"" RECEIVES AN ADDITIONAL \$2.00 PER HOUR ABOVE AREA 1 RATES. (SEE AREA DESCRIPTIONS BELOW) FOOTNOTE: Work suspended by ropes or cables, or work on a Yo-Yo Cat: \$.60 per hour additional. AREA 1: ALAMEDA, CONTRA COSTA, MARIN, NAPA, SACRAMENTO, SAN BENITO, SAN FRANCISCO, SANTA CLARA, SANTA CRUZ, SOLANO, YOLO, AND YUBA THE REMAINING COUNTIES ARE SPLIT BETWEEN AREA 1 AND AREA 2 AS NOTED ELDORADO

Area 1: North Central

Area 2:

MONTEREY COUNTY

Area 1: Remainder

Area 2: Southwestern

PLACER

Area 1: All but the Central

Area 2: Remainder.....	\$ 65.54	34.69
------------------------	----------	-------

ENGI0003-011 06/30/2025

Rates

Fringes

OPERATOR: POWER EQUIPMENT, LANDSCAPE WORK ONLY:
 GROUP 3 (AREA 2) THE REMAINING COUNTIES ARE SPLIT BETWEEN AREA 1 AND AREA 2 AS NOTED ELDORADO

Area 1: North Central

Area 2:

MONTEREY COUNTY

Area 1: Remainder

Area 2: Southwestern

PLACER

Area 1: All but the Central

Area 2: Remainder.....\$ 49.64 28.56

OPERATOR: POWER EQUIPMENT, LANDSCAPE WORK ONLY:

GROUP 3 (AREA 1) AREA 1: ALAMEDA, CONTRA COSTA, MARIN, NAPA, SACRAMENTO, SAN BENITO, SAN FRANCISCO, SANTA CLARA, SANTA CRUZ, SOLANO, YOLO, AND YUBA COUNTIESTHE REMAINING COUNTIES ARE SPLIT BETWEEN AREA 1 AND AREA 2 AS NOTED

ELDORADO

Area 1: North Central

Area 2:

MONTEREY COUNTY

Area 1: Remainder

Area 2: Southwestern

PLACER

Area 1: All but the Central

Area 2: Remainder.....\$ 47.64 28.56

OPERATOR: POWER EQUIPMENT, LANDSCAPE WORK ONLY:

GROUP 2 (AREA 2) THE REMAINING COUNTIES ARE SPLIT BETWEEN AREA 1 AND AREA 2 AS NOTED

ELDORADO

Area 1: North Central

Area 2:

MONTEREY COUNTY

Area 1: Remainder

Area 2: Southwestern

PLACER

Area 1: All but the Central

Area 2: Remainder.....\$ 54.25 28.56

OPERATOR: POWER EQUIPMENT, LANDSCAPE WORK ONLY:

GROUP 2 (AREA 1) AREA 1: ALAMEDA, CONTRA COSTA, MARIN, NAPA, SACRAMENTO, SAN BENITO, SAN FRANCISCO, SANTA CLARA, SANTA CRUZ, SOLANO, YOLO, AND YUBA COUNTIESTHE REMAINING COUNTIES ARE SPLIT BETWEEN AREA 1 AND AREA 2 AS NOTED

ELDORADO

Area 1: North Central

Area 2:

MONTEREY COUNTY

Area 1: Remainder

Area 2: Southwestern

PLACER

Area 1: All but the Central

Area 2: Remainder.....\$ 52.25 28.56

OPERATOR: POWER EQUIPMENT, LANDSCAPE WORK ONLY:

GROUP 1 (AREA 2) THE REMAINING COUNTIES ARE SPLIT BETWEEN AREA 1 AND AREA 2 AS NOTED

ELDORADO

Area 1: North Central

Area 2:

MONTEREY COUNTY

Area 1: Remainder

Area 2: Southwestern

PLACER

Area 1: All but the Central

Area 2: Remainder.....\$ 57.85 28.56

OPERATOR: POWER EQUIPMENT, LANDSCAPE WORK ONLY:

GROUP 1 (AREA 1) AREA 1: ALAMEDA, CONTRA COSTA, MARIN, NAPA, SACRAMENTO, SAN BENITO, SAN FRANCISCO, SANTA CLARA, SANTA CRUZ, SOLANO, YOLO, AND YUBA COUNTIESTHE REMAINING COUNTIES ARE SPLIT

BETWEEN AREA 1 AND AREA 2 AS NOTED
ELDORADO

Area 1: North Central

Area 2:

MONTEREY COUNTY

Area 1: Remainder

Area 2: Southwestern

PLACER

Area 1: All but the Central

Area 2: Remainder.....\$ 55.85 28.56

IRON0377-001 01/01/2025

Rates

Fringes

IRONWORKERS: ORNAMENTAL, REINFORCING AND STRUCTURAL
(ALAMEDA, CONTRA COSTA, SAN MATEO, SANTA CLARA
COUNTIES) PREMIUM

\$6.00 additional per hour at the following
locations: China Lake Naval Test Station, Chocolate
Mountains Naval Reserve-Niland, Edwards AFB, Fort
Irwin Military Station, Fort Irwin Training
Center-Goldstone, San Clemente Island, San Nicholas
Island, Susanville Federal Prison, 29 Palms -
Marine Corps, U.S. Marine Base - Barstow, U.S.
Naval Air Facility - Sealey, Vandenberg

\$4.00 additional per hour at the following
locations: Army Defense Language Institute -
Monterey, Fallon Air Base, Naval Post Graduate
School - Monterey, Yermo Marine Corps Logistics

\$2.00 additional per hour at the following
locations: Port Hueneme, Port Mugu, U.S. Coast
Guard Station - Two Rock.....\$ 55.33

35.15

IRONWORKERS: FENCE ERECTOR (ALAMEDA, CONTRA COSTA,
SAN MATEO, SANTA CLARA COUNTIES) PREMIUM

\$6.00 additional per hour at the following
locations: China Lake Naval Test Station, Chocolate
Mountains Naval Reserve-Niland, Edwards AFB, Fort
Irwin Military Station, Fort Irwin Training
Center-Goldstone, San Clemente Island, San Nicholas
Island, Susanville Federal Prison, 29 Palms -
Marine Corps, U.S. Marine Base - Barstow, U.S.
Naval Air Facility - Sealey, Vandenberg

\$4.00 additional per hour at the following
locations: Army Defense Language Institute -
Monterey, Fallon Air Base, Naval Post Graduate
School - Monterey, Yermo Marine Corps Logistics

\$2.00 additional per hour at the following
locations: Port Hueneme, Port Mugu, U.S. Coast
Guard Station - Two Rock.....\$ 45.78

26.51

IRON0377-003 01/01/2025

Rates

Fringes

IRONWORKERS: ORNAMENTAL, REINFORCING AND STRUCTURAL
(SAN FRANCISCO CITY AND COUNTY) PREMIUM

\$6.00 additional per hour at the following
locations: China Lake Naval Test Station, Chocolate
Mountains Naval Reserve-Niland, Edwards AFB, Fort
Irwin Military Station, Fort Irwin Training
Center-Goldstone, San Clemente Island, San Nicholas
Island, Susanville Federal Prison, 29 Palms -
Marine Corps, U.S. Marine Base - Barstow, U.S.
Naval Air Facility - Sealey, Vandenberg

\$4.00 additional per hour at the following
locations: Army Defense Language Institute -

Monterey, Fallon Air Base, Naval Post Graduate School - Monterey, Yermo Marine Corps Logistics
 \$2.00 additional per hour at the following locations: Port Hueneme, Port Mugu, U.S. Coast Guard Station - Two Rock.....\$ 55.83 35.15
 IRONWORKERS: FENCE ERECTOR (SAN FRANCISCO CITY AND COUNTY) PREMIUM

\$6.00 additional per hour at the following locations: China Lake Naval Test Station, Chocolate Mountains Naval Reserve-Niland, Edwards AFB, Fort Irwin Military Station, Fort Irwin Training Center-Goldstone, San Clemente Island, San Nicholas Island, Susanville Federal Prison, 29 Palms - Marine Corps, U.S. Marine Base - Barstow, U.S. Naval Air Facility - Sealey, Vandenberg

\$4.00 additional per hour at the following locations: Army Defense Language Institute - Monterey, Fallon Air Base, Naval Post Graduate School - Monterey, Yermo Marine Corps Logistics
 \$2.00 additional per hour at the following locations: Port Hueneme, Port Mugu, U.S. Coast Guard Station - Two Rock.....\$ 45.78 26.51

 IRON0433-005 01/01/2025

Rates Fringes

IRONWORKER: ORNAMENTAL, REINFORCING AND STRUCTURAL (REMAINING COUNTIES) PREMIUM

\$6.00 additional per hour at the following locations: China Lake Naval Test Station, Chocolate Mountains Naval Reserve-Niland, Edwards AFB, Fort Irwin Military Station, Fort Irwin Training Center-Goldstone, San Clemente Island, San Nicholas Island, Susanville Federal Prison, 29 Palms - Marine Corps, U.S. Marine Base - Barstow, U.S. Naval Air Facility - Sealey, Vandenberg

\$4.00 additional per hour at the following locations: Army Defense Language Institute - Monterey, Fallon Air Base, Naval Post Graduate School - Monterey, Yermo Marine Corps Logistics
 \$2.00 additional per hour at the following locations: Port Hueneme, Port Mugu, U.S. Coast Guard Station - Two Rock.....\$ 50.70 35.15

IRONWORKER: FENCE ERECTOR (REMAINING COUNTIES) PREMIUM

\$6.00 additional per hour at the following locations: China Lake Naval Test Station, Chocolate Mountains Naval Reserve-Niland, Edwards AFB, Fort Irwin Military Station, Fort Irwin Training Center-Goldstone, San Clemente Island, San Nicholas Island, Susanville Federal Prison, 29 Palms - Marine Corps, U.S. Marine Base - Barstow, U.S. Naval Air Facility - Sealey, Vandenberg

\$4.00 additional per hour at the following locations: Army Defense Language Institute - Monterey, Fallon Air Base, Naval Post Graduate School - Monterey, Yermo Marine Corps Logistics
 \$2.00 additional per hour at the following locations: Port Hueneme, Port Mugu, U.S. Coast Guard Station - Two Rock.....\$ 45.78 26.51

 LAB00067-007 06/30/2025

Rates Fringes

LABORER, ASBESTOS/MOLD/LEAD LABORER: AREA 2 (AREA

2: EL DORADO, MONTEREY, PLACE, SACRAMENTO, SAN BENITO, SANTA CRUZ, SOLANO, SONOMA, SUTTER, YOLO, AND YUBA COUNTIES) SCOPE OF WORK: Covers site mobilization; initial site clean-up; site preparation; removal of asbestos-containing materials from walls and ceilings; or from pipes, boilers and mechanical systems only if they are being scrapped; encapsulation, enclosure and disposal of asbestos-containing materials by hand or with equipment or machinery; scaffolding; fabrication of temporary wooden barriers; and assembly of decontamination stations.....	\$ 38.15	30.03
LABORER, ASBESTOS/MOLD/LEAD LABORER: AREA 1 (AREA 1: ALAMEDA, CONTRA COSTA, MARIN, NAPA, SAN FRANCISCO, SANMATEO, SANTA CLARA) SCOPE OF WORK: Covers site mobilization; initial site clean-up; site preparation; removal of asbestos-containing materials from walls and ceilings; or from pipes, boilers and mechanical systems only if they are being scrapped; encapsulation, enclosure and disposal of asbestos-containing materials by hand or with equipment or machinery; scaffolding; fabrication of temporary wooden barriers; and assembly of decontamination stations.....	\$ 39.15	30.03

LAB00185-001 06/26/2023

Rates Fringes

LANDSCAPE LABORER: GARDENERS, HORTICULTURAL & LANDSCAPE LABORERS: ESTABLISHMENT WARRANTY PERIOD (EL DORADO, PLACER, SACRAMENTO, SUTTER, YOLO AND YUBA COUNTIES) FOOTNOTE: LABORERS WORKING OFF OR WITH OR FROM BOS'N CHAIRS, SWINGING SCAFFOLDS, BELTS : \$0.25 PER HOUR ADDITIONAL.....	\$ 28.94	27.30
LANDSCAPE LABORER, GARDENERS, HORTICULTURAL & LANDSCAPE LABORERS: NEW CONSTRUCTION (EL DORADO, PLACER, SACRAMENTO, SUTTER, YOLO AND YUBA COUNTIES) FOOTNOTE: LABORERS WORKING OFF OR WITH OR FROM BOS'N CHAIRS, SWINGING SCAFFOLDS, BELTS: \$0.25 PER HOUR ADDITIONAL.....	\$ 35.25	27.30
LABORERS:, WRECKING: GROUP 2 Semi-skilled wrecker (salvaging of other building materials) (EL DORADO, PLACER, SACRAMENTO, SUTTER, YOLO AND YUBA COUNTIES) FOOTNOTE: LABORERS WORKING OFF OR WITH OR FROM BOS'N CHAIRS, SWINGING SCAFFOLDS, BELTS: \$0.25 PER HOUR ADDITIONAL.....	\$ 35.35	27.30
LABORERS:, WRECKING: GROUP 1 Skilled wrecker (removing and salvaging of sash, windows and materials) (EL DORADO, PLACER, SACRAMENTO, SUTTER, YOLO AND YUBA COUNTIES) FOOTNOTE: LABORERS WORKING OFF OR WITH OR FROM BOS'N CHAIRS, SWINGING SCAFFOLDS, BELTS): \$0.25 PER HOUR ADDITIONAL.....	\$ 35.50	27.30
LABORERS:, GUNITE: GROUP 4 GUNITE LABORER (EL DORADO, PLACER, SACRAMENTO, SUTTER, YOLO AND YUBA COUNTIES) FOOTNOTE: LABORERS WORKING OFF OR WITH OR FROM BOS'N CHAIRS, SWINGING SCAFFOLDS, BELTS : \$0.25 PER HOUR ADDITIONAL.....	\$ 35.25	27.30
LABORERS:, GUNITE: GROUP 3 REBOUNDMAN (EL DORADO, PLACER, SACRAMENTO, SUTTER, YOLO AND YUBA COUNTIES) FOOTNOTE: LABORERS WORKING OFF OR WITH OR FROM BOS'N CHAIRS, SWINGING SCAFFOLDS, BELTS : \$0.25 PER HOUR ADDITIONAL.....	\$ 35.37	27.30
LABORERS:, GUNITE: GROUP 2 NOZZLEMAN, GUNMAN, POTMAN, GROUNDMAN (EL DORADO, PLACER, SACRAMENTO, SUTTER, YOLO AND YUBA COUNTIES) FOOTNOTE: LABORERS		

WORKING OFF OR WITH OR FROM BOS'N CHAIRS, SWINGING SCAFFOLDS, BELTS : \$0.25 PER HOUR ADDITIONAL.....\$ 35.96 27.30
LABORERS:, GUNITE: GROUP 1 STRUCTURAL NOZZLEMAN (EL DORADO, PLACER, SACRAMENTO, SUTTER, YOLO AND YUBA COUNTIES) FOOTNOTE: LABORERS WORKING OFF OR WITH OR FROM BOS'N CHAIRS, SWINGING SCAFFOLDS, BELTS : \$0.25 PER HOUR ADDITIONAL.....\$ 36.46 27.30
LABORERS:, CONSTRUCTION CRAFT LABORERS: GROUP 4: ALL CLEAN-UP WORK OF DEBRIS, GROUNDS AND BUILDING INCLUDING BUT NOT LIMITED TO: STREET CLEANER; CLEANING AND WASHING WINDOWS; BRICK CLEANER (JOBSITE ONLY); MATERIAL CLEANER (JOBSITE ONLY). THE CLASSIFICATION ""MATERIAL CLEANER"" IS TO BE UTILIZED UNDER THE FOLLOWING CONDITIONS: A: AT DEMOLITION SITE FOR THE SALVAGE OF THE MATERIAL. B: AT THE CONCLUSION OF A JOB WHERE THE MATERIAL IS TO BE SALVAGED AND STOCKED TO BE REUSED ON ANOTHER JOB. C: FOR THE CLEANING OF SALVAGE MATERIAL AT THE JOBSITE OR TEMPORARY JOBSITE YARD. THE MATERIAL CLEANER CLASSIFICATION SHOULD NOT BE USED IN THE PERFORMANCE OF ""FORM STRIPPING, CLEANING AND OILING AND MOVING TO THE NEXT POINT OF ERECTION"". (EL DORADO, PLACER, SACRAMENTO, SUTTER, YOLO AND YUBA COUNTIES) FOOTNOTE: LABORERS WORKING OFF OR WITH OR FROM BOS'N CHAIRS, SWINGING SCAFFOLDS, BELTS (NOT APPLICABLE TO WORKERS ENTITLED TO RECEIVE THE WAGE RATE SET FORTH IN GROUP 1-A): \$0.25 PER HOUR ADDITIONAL.\$ 28.94 27.30
LABORERS:, CONSTRUCTION CRAFT LABORERS: GROUP 3: CONSTRUCTION LABORERS, INCLUDING BRIDGE AND GENERAL LABORER; DUMP, LOAD SPOTTER; FLAG PERSON; FIRE WATCHER; FENCE ERECTOR; GUARDRAIL ERECTOR; GARDENER, HORTICULTURAL AND LANDSCAPE LABORER; JETTING; LIMBER, BRUSH LOADER AND PILER; PAVEMENT MARKER (BUTTON SETTER); MAINTENANCE, REPAIR TRACK AND ROAD BEDS; STREETCAR AND RAILROAD CONSTRUCTION TRACK LABORER; TEMPORARY AIR AND WATER LINES, VICTAULIC OR SIMILAR; TOOL ROOM ATTENDANT (JOBSITE ONLY) (EL DORADO, PLACER, SACRAMENTO, SUTTER, YOLO AND YUBA COUNTIES) FOOTNOTE: LABORERS WORKING OFF OR WITH OR FROM BOS'N CHAIRS, SWINGING SCAFFOLDS, BELTS (NOT APPLICABLE TO WORKERS ENTITLED TO RECEIVE THE WAGE RATE SET FORTH IN GROUP 1-A): \$0.25 PER HOUR ADDITIONAL.....\$ 35.25 27.30
LABORERS:, CONSTRUCTION CRAFT LABORERS: GROUP 2: ASPHALT SHOVELER; CEMENT DUMPER AND HANDLING DRY CEMENT OR GYPSUM; CHOKE-SETTER AND RIGGER (CLEARING WORK); CONCRETE BUCKET DUMPER AND CHUTE; CONCRETE CHIPPING AND GRINDING; CONCRETE LABORER (WET OR DRY); DRILLER TENDER, CHUCK TENDER, NIPPER; GUINEA CHASER (STAKE), GROUT CREW; HIGH PRESSURE NOZZLE, ADDUCTOR; HYDRAULIC MONITOR (OVER 100 LBS. PRESSURE); LOADING AND UNLOADING, CARRYING AND HAULING OF ALL RODS AND MATERIALS FOR USE IN REINFORCING CONCRETE CONSTRUCTION; PITTSBURGH CHIPPER AND SIMILAR TYPE BRUSH SHREDDERS; SLOPER; SINGLE FOOT, HAND-HELD, PNEUMATIC TAMPER; ALL PNEUMATIC, AIR, GAS AND ELECTRIC TOOLS NOT LISTED IN GROUPS 1 THROUGH 1-F; JACKING OF PIPE - UNDER 12 INCHES (EL DORADO, PLACER, SACRAMENTO, SUTTER, YOLO AND YUBA COUNTIES) FOOTNOTE: LABORERS WORKING OFF OR WITH OR FROM BOS'N CHAIRS, SWINGING SCAFFOLDS, BELTS (NOT APPLICABLE TO WORKERS ENTITLED TO RECEIVE THE WAGE RATE SET FORTH IN GROUP 1-A): \$0.25 PER HOUR ADDITIONAL.....\$ 35.35 27.30

LABORERS:, CONSTRUCTION CRAFT LABORERS: GROUP 1-E:
 WORK ON AND/OR IN BELL HOLE FOOTINGS AND SHAFTS
 THEREOF, AND WORK ON AND IN DEEP FOOTINGS. (A DEEP
 FOOTING IS A HOLE 15 FEET OR MORE IN DEPTH.) IN
 THE EVENT THE DEPTH OF THE FOOTING IS UNKNOWN AT
 THE COMMENCEMENT OF EXCAVATION, AND THE FINAL DEPTH
 EXCEEDS 15 FEET, THE DEEP FOOTING WAGE RATE WOULD
 APPLY TO ALL EMPLOYEES FOR EACH AND EVERY DAY
 WORKED ON OR IN THE EXCAVATION OF THE FOOTING FROM
 THE DATE OF INCEPTION. (EL DORADO, PLACER,
 SACRAMENTO, SUTTER, YOLO AND YUBA COUNTIES)
 FOOTNOTE: LABORERS WORKING OFF OR WITH OR FROM
 BOS'N CHAIRS, SWINGING SCAFFOLDS, BELTS (NOT
 APPLICABLE TO WORKERS ENTITLED TO RECEIVE THE WAGE
 RATE SET FORTH IN GROUP 1-A): \$0.25 PER HOUR
 ADDITIONAL.....\$ 36.05 27.30

LABORERS:, CONSTRUCTION CRAFT LABORERS: GROUP 1-C:
 BURNING AND WELDING IN CONNECTION WITH LABORERS'
 WORK; SYNTHETIC THERMOPLASTICS AND SIMILAR TYPE
 WELDING (EL DORADO, PLACER, SACRAMENTO, SUTTER,
 YOLO AND YUBA COUNTIES) FOOTNOTE: LABORERS WORKING
 OFF OR WITH OR FROM BOS'N CHAIRS, SWINGING
 SCAFFOLDS, BELTS (NOT APPLICABLE TO WORKERS
 ENTITLED TO RECEIVE THE WAGE RATE SET FORTH IN
 GROUP 1-A): \$0.25 PER HOUR ADDITIONAL.
\$ 35.55 27.30

LABORERS:, CONSTRUCTION CRAFT LABORERS: GROUP 1-A:
 JOY DRILL MODEL TWM-2A; GARDNER-DENVER MODEL DH143
 AND SIMILAR TYPE DRILLS; TRACK DRILLER; JACK LEG
 DRILLER; WAGON DRILLER; MECHANICAL DRILLERS, ALL
 TYPES REGARDLESS OF TYPE OR METHOD OF POWER;
 MECHANICAL PIPE LAYERS, ALL TYPES REGARDLESS OF
 TYPE OR METHOD OF POWER; BLASTER AND POWDER; ALL
 WORK OF LOADING, PLACING AND BLASTING OF ALL POWDER
 AND EXPLOSIVES OF WHATEVER TYPE REGARDLESS OF
 METHOD USED FOR SUCH LOADING AND PLACING; HIGH
 SCALERS (INCLUDING DRILLING OF SAME); TREE TOPPER;
 BIT GRINDER (EL DORADO, PLACER, SACRAMENTO,
 SUTTER, YOLO AND YUBA COUNTIES) FOOTNOTE: LABORERS
 WORKING OFF OR WITH OR FROM BOS'N CHAIRS, SWINGING
 SCAFFOLDS, BELTS (NOT APPLICABLE TO WORKERS
 ENTITLED TO RECEIVE THE WAGE RATE SET FORTH IN
 GROUP 1-A): \$0.25 PER HOUR ADDITIONAL.....\$ 35.72 27.30

LABORERS:, CONSTRUCTION CRAFT LABORERS: GROUP 1:
 Asphalt spreader boxes (all types); Barko, Wacker
 and similar type tampers; Buggymobile; Caulker,
 bander, pipewrapper, conduit layer, plastic
 pipelayer; Certified hazardous waste worker
 including Leade Abatement; Compactors of all types;
 Concrete and magnesite mixer, 1/2 yd. and under;
 Concrete pan work; Concrete sander; Concrete saw;
 Cribber and/or shoring; Cut granite curb setter;
 Dri-pak-it machine; Faller, logloader and bucket;
 Form raiser, slip forms; Green cutter; Headerboard,
 Hubsetter, aligner, by any method; High pressure
 blow pipe (1-1/2" or over, 100 lbs.
 pressure/over); Hydro seeder and similar type;
 Jackhammer operator; Jacking of pipe over 12
 inches; Jackson and similar type compactor; Kettle
 tender, pot and worker applying asphalt, lay-kold,
 creosote, lime, caustic and similar type materials
 (applying means applying, dipping or handling of
 such materials); Lagging, sheeting, whaling,
 bracing, trenchjacking, lagging hammer; Magnesite,
 epoxyresin, fiberglass, mastic worker (wet or dry);

No joint pipe and stripping of same, including repair of voids; Pavement breaker and spader, including tool grinder; Perma curb; Pipelayer (including grade checking in connection with pipelaying); Precast-manhole setter; Pressure pipe tester; Post hole digger, air, gas and electric; Power broom sweeper; Power tampers of all types (except as shown in Group 2); Ram set gun and stud gun; Riprap stonepaver and rock-slinger, including placing of sacked concrete and/or sand (wet or dry) and gabions and similar type; Rotary scarifier or multiple head concrete chipping scarifier; Roto and Ditch Witch; Rototiller; Sandblaster, pot, gun, nozzle operators; Signalling and rigging; Tank cleaner; Tree climber; Turbo blaster; Vibrascreed, bull float in connection with laborers' work; Vibrator; Hazardous waste worker (lead removal); Asbestos and mold removal worker (EL DORADO, PLACER, SACRAMENTO, SUTTER, YOLO AND YUBA COUNTIES)

FOOTNOTE: LABORERS WORKING OFF OR WITH OR FROM BOS'N CHAIRS, SWINGING SCAFFOLDS, BELTS (NOT APPLICABLE TO WORKERS ENTITLED TO RECEIVE THE WAGE RATE SET FORTH IN GROUP 1-A): \$0.25 PER HOUR
 ADDITIONAL.....\$ 35.50 27.30

LABORERS: CONSTRUCTION CRAFT LABORERS: CONSTRUCTION SPECIALIST: ASPHALT IRONER AND RAKER; CHAINSAW; LASER BEAM IN CONNECTION WITH LABORERS' WORK; CAST-IN- PLACE MANHOLE FORM SETTER; PRESSURE PIPELAYER; DAVIS TRENCHER - 300 OR SIMILAR TYPE (AND ALL SMALL TRENCHERS); BLASTER; DIAMOND DRILLER; MULTIPLE UNIT DRILL; HYDRAULIC DRILL (EL DORADO, PLACER, SACRAMENTO, SUTTER, YOLO AND YUBA COUNTIES) FOOTNOTE: LABORERS WORKING OFF OR WITH OR FROM BOS'N CHAIRS, SWINGING SCAFFOLDS, BELTS (NOT APPLICABLE TO WORKERS ENTITLED TO RECEIVE THE WAGE RATE SET FORTH IN GROUP 1-A): \$0.25 PER HOUR ADDITIONAL.....\$ 36.20 27.30

LAB00185-003 07/01/2023

Rates Fringes

LABORER: MASON TENDER-BRICK (EL DORADO, PLACER, SACRAMENTO, SUTTER, YOLO AND YUBA COUNTIES).....\$ 36.29 25.55

LAB00261-001 06/26/2023

Rates Fringes

LANDSCAPE LABORER, GARDENERS, HORTICULTURAL & LANDSCAPE LABORERS: NEW CONSTRUCTION (MARIN, SAN FRANCISCO, AND SAN MATEO COUNTIES) FOOTNOTE: LABORERS WORKING OFF OR WITH OR FROM BOS'N CHAIRS, SWINGING SCAFFOLDS, BELTS): \$0.25 PER HOUR ADDITIONAL.....\$ 36.25 27.30

LANDSCAPE LABORER, GARDENERS, HORTICULTURAL & LANDSCAPE LABORERS: ESTABLISHMENT WARRANTY PERIOD (MARIN, SAN FRANCISCO, AND SAN MATEO COUNTIES) FOOTNOTE: LABORERS WORKING OFF OR WITH OR FROM BOS'N CHAIRS, SWINGING SCAFFOLDS, BELTS: \$0.25 PER HOUR ADDITIONAL.....\$ 29.94 27.30

LABORERS:, WRECKING: GROUP 2 SEMI-SKILLED WRECKER (SALVAGING OF OTHER BUILDING MATERIALS) (MARIN, SAN FRANCISCO, AND SAN MATEO COUNTIES) FOOTNOTE: LABORERS WORKING OFF OR WITH OR FROM BOS'N CHAIRS, SWINGING SCAFFOLDS, BELTS): \$0.25 PER HOUR ADDITIONAL.....\$ 36.35 27.30

LABORERS:, WRECKING: GROUP 1 SKILLED WRECKER
 (REMOVING AND SALVAGING OF SASH, WINDOWS AND
 MATERIALS (MARIN, SAN FRANCISCO, AND SAN MATEO
 COUNTIES) FOOTNOTE: LABORERS WORKING OFF OR WITH
 OR FROM BOS'N CHAIRS, SWINGING SCAFFOLDS, BELTS:
 \$0.25 PER HOUR ADDITIONAL.\$ 36.50 27.30

LABORERS:, GUNITE: GROUP 4 GUNITE LABORER (MARIN,
 SAN FRANCISCO, AND SAN MATEO COUNTIES) FOOTNOTE:
 LABORERS WORKING OFF OR WITH OR FROM BOS'N CHAIRS,
 SWINGING SCAFFOLDS, BELTS (NOT APPLICABLE TO
 WORKERS ENTITLED TO RECEIVE THE WAGE RATE SET FORTH
 IN GROUP 1-A): \$0.25 PER HOUR ADDITIONAL.....\$ 36.25 27.30

LABORERS:, GUNITE: GROUP 3 REBOUNDMAN (MARIN, SAN
 FRANCISCO, AND SAN MATEO COUNTIES) FOOTNOTE:
 LABORERS WORKING OFF OR WITH OR FROM BOS'N CHAIRS,
 SWINGING SCAFFOLDS, BELTS (NOT APPLICABLE TO
 WORKERS ENTITLED TO RECEIVE THE WAGE RATE SET FORTH
 IN GROUP 1-A): \$0.25 PER HOUR ADDITIONAL.....\$ 36.37 27.30

LABORERS:, GUNITE: GROUP 2 NOZZLEMAN, GUNMAN,
 POTMAN, GROUNDMAN (MARIN, SAN FRANCISCO, AND SAN
 MATEO COUNTIES) FOOTNOTE: LABORERS WORKING OFF OR
 WITH OR FROM BOS'N CHAIRS, SWINGING SCAFFOLDS,
 BELTS (NOT APPLICABLE TO WORKERS ENTITLED TO
 RECEIVE THE WAGE RATE SET FORTH IN GROUP 1-A):
 \$0.25 PER HOUR ADDITIONAL.....\$ 36.96 27.30

LABORERS:, GUNITE: GROUP 1 STRUCTURAL NOZZLEMAN
 (MARIN, SAN FRANCISCO, AND SAN MATEO COUNTIES)
 FOOTNOTE: LABORERS WORKING OFF OR WITH OR FROM
 BOS'N CHAIRS, SWINGING SCAFFOLDS, BELTS (NOT
 APPLICABLE TO WORKERS ENTITLED TO RECEIVE THE WAGE
 RATE SET FORTH IN GROUP 1-A): \$0.25 PER HOUR
 ADDITIONAL.....\$ 37.46 27.30

LABORERS:, CONSTRUCTION CRAFT LABORERS: GROUP 4:
 ALL CLEAN-UP WORK OF DEBRIS, GROUNDS AND BUILDING
 INCLUDING BUT NOT LIMITED TO: STREET CLEANER;
 CLEANING AND WASHING WINDOWS; BRICK CLEANER
 (JOBSITE ONLY); MATERIAL CLEANER (JOBSITE ONLY).
 THE CLASSIFICATION ""MATERIAL CLEANER"" IS TO BE
 UTILIZED UNDER THE FOLLOWING CONDITIONS: A: AT
 DEMOLITION SITE FOR THE SALVAGE OF THE MATERIAL.
 B: AT THE CONCLUSION OF A JOB WHERE THE MATERIAL IS
 TO BE SALVAGED AND STOCKED TO BE REUSED ON
 ANOTHER JOB. C: FOR THE CLEANING OF SALVAGE
 MATERIAL AT THE JOBSITE OR TEMPORARY JOBSITE YARD.
 THE MATERIAL CLEANER CLASSIFICATION SHOULD NOT BE
 USED IN THE PERFORMANCE OF ""FORM STRIPPING,
 CLEANING AND OILING AND MOVING TO THE NEXT
 POINT OF ERECTION"". (MARIN, SAN FRANCISCO, AND SAN
 MATEO COUNTIES) FOOTNOTE: LABORERS WORKING OFF OR
 WITH OR FROM BOS'N CHAIRS, SWINGING SCAFFOLDS,
 BELTS (NOT APPLICABLE TO WORKERS ENTITLED TO
 RECEIVE THE WAGE RATE SET FORTH IN GROUP 1-A):
 \$0.25 PER HOUR ADDITIONAL. SEWER CLEANERS
 SHALL RECEIVE \$4.00 PER DAY ABOVE GROUP 1 WAGE
 RATES. ""SEWER CLEANER"" MEANS ANY WORKER WHO
 HANDLES OR COMES IN CONTACT WITH RAW SEWAGE IN
 SMALL DIAMETER SEWERS. THOSE WHO WORK INSIDE
 RECENTLY ACTIVE, LARGE DIAMETER SEWERS, AND ALL
 RECENTLY ACTIVE SEWER MANHOLES, SHALL RECEIVE \$5.00
 PER DAY ABOVE GROUP 1 WAGE RATES. MAINTENANCE AND
 REPAIR TRACK AND ROAD BEDS (UNDERGROUND
 STRUCTURES). ALL EMPLOYEES PERFORMING WORK COVERED
 HEREIN SHALL RECEIVE \$.25 PER HOUR ABOVE THEIR
 REGULAR RATE FOR ALL WORK PERFORMED ON UNDERGROUND
 STRUCTURES NOT SPECIFICALLY COVERED HEREIN. THIS

PARAGRAPH SHALL NOT BE CONSTRUED TO APPLY TO WORK BELOW GROUND LEVEL IN OPEN CUT. IT SHALL APPLY TO CUT AND COVER WORK OF SUBWAY CONSTRUCTION AFTER THE TEMPORARY COVER HAS BEEN PLACED.....\$ 29.94

27.30

LABORERS:, CONSTRUCTION CRAFT LABORERS: GROUP 3: CONSTRUCTION LABORERS, INCLUDING BRIDGE AND GENERAL LABORER; DUMP, LOAD SPOTTER; FLAG PERSON; FIRE WATCHER; FENCE ERECTOR; GUARDRAIL ERECTOR; GARDENER, HORTICULTURAL AND LANDSCAPE LABORER; JETTING; LIMBER, BRUSH LOADER AND PILER; PAVEMENT MARKER (BUTTON SETTER); MAINTENANCE, REPAIR TRACK AND ROAD BEDS; STREETCAR AND RAILROAD CONSTRUCTION TRACK LABORER; TEMPORARY AIR AND WATER LINES, VICTAULIC OR SIMILAR; TOOL ROOM ATTENDANT (JOBSITE ONLY) (MARIN, SAN FRANCISCO, AND SAN MATEO COUNTIES) FOOTNOTE: LABORERS WORKING OFF OR WITH OR FROM BOS'N CHAIRS, SWINGING SCAFFOLDS, BELTS (NOT APPLICABLE TO WORKERS ENTITLED TO RECEIVE THE WAGE RATE SET FORTH IN GROUP 1-A): \$0.25 PER HOUR ADDITIONAL. SEWER CLEANERS SHALL RECEIVE \$4.00 PER DAY ABOVE GROUP 1 WAGE RATES. ""SEWER CLEANER"" MEANS ANY WORKER WHO HANDLES OR COMES IN CONTACT WITH RAW SEWAGE IN SMALL DIAMETER SEWERS. THOSE WHO WORK INSIDE RECENTLY ACTIVE, LARGE DIAMETER SEWERS, AND ALL RECENTLY ACTIVE SEWER MANHOLES, SHALL RECEIVE \$5.00 PER DAY ABOVE GROUP 1 WAGE RATES. MAINTENANCE AND REPAIR TRACK AND ROAD BEDS (UNDERGROUND STRUCTURES). ALL EMPLOYEES PERFORMING WORK COVERED HEREIN SHALL RECEIVE \$.25 PER HOUR ABOVE THEIR REGULAR RATE FOR ALL WORK PERFORMED ON UNDERGROUND STRUCTURES NOT SPECIFICALLY COVERED HEREIN. THIS PARAGRAPH SHALL NOT BE CONSTRUED TO APPLY TO WORK BELOW GROUND LEVEL IN OPEN CUT. IT SHALL APPLY TO CUT AND COVER WORK OF SUBWAY CONSTRUCTION AFTER THE TEMPORARY COVER HAS BEEN PLACED.....\$ 36.25

27.30

LABORERS:, CONSTRUCTION CRAFT LABORERS: GROUP 2: ASPHALT SHOVELER; CEMENT DUMPER AND HANDLING DRY CEMENT OR GYPSUM; CHOKE-SETTER AND RIGGER (CLEARING WORK); CONCRETE BUCKET DUMPER AND CHUTE; CONCRETE CHIPPING AND GRINDING; CONCRETE LABORER (WET OR DRY); DRILLER TENDER, CHUCK TENDER, NIPPER; GUINEA CHASER (STAKE), GROUT CREW; HIGH PRESSURE NOZZLE, ADDUCTOR; HYDRAULIC MONITOR (OVER 100 LBS. PRESSURE); LOADING AND UNLOADING, CARRYING AND HAULING OF ALL RODS AND MATERIALS FOR USE IN REINFORCING CONCRETE CONSTRUCTION; PITTSBURGH CHIPPER AND SIMILAR TYPE BRUSH SHREDDERS; SLOPER; SINGLE FOOT, HAND-HELD, PNEUMATIC TAMPER; ALL PNEUMATIC, AIR, GAS AND ELECTRIC TOOLS NOT LISTED IN GROUPS 1 THROUGH 1-F; JACKING OF PIPE - UNDER 12 INCHES (MARIN, SAN FRANCISCO, AND SAN MATEO COUNTIES) FOOTNOTE: LABORERS WORKING OFF OR WITH OR FROM BOS'N CHAIRS, SWINGING SCAFFOLDS, BELTS (NOT APPLICABLE TO WORKERS ENTITLED TO RECEIVE THE WAGE RATE SET FORTH IN GROUP 1-A): \$0.25 PER HOUR ADDITIONAL. SEWER CLEANERS SHALL RECEIVE \$4.00 PER DAY ABOVE GROUP 1 WAGE RATES. ""SEWER CLEANER"" MEANS ANY WORKER WHO HANDLES OR COMES IN CONTACT WITH RAW SEWAGE IN SMALL DIAMETER SEWERS. THOSE WHO WORK INSIDE RECENTLY ACTIVE, LARGE DIAMETER SEWERS, AND ALL RECENTLY ACTIVE SEWER MANHOLES, SHALL RECEIVE \$5.00 PER DAY ABOVE GROUP 1 WAGE RATES. MAINTENANCE AND REPAIR TRACK AND ROAD BEDS (UNDERGROUND STRUCTURES). ALL EMPLOYEES PERFORMING

WORK COVERED HEREIN SHALL RECEIVE \$.25 PER HOUR ABOVE THEIR REGULAR RATE FOR ALL WORK PERFORMED ON UNDERGROUND STRUCTURES NOT SPECIFICALLY COVERED HEREIN. THIS PARAGRAPH SHALL NOT BE CONSTRUED TO APPLY TO WORK BELOW GROUND LEVEL IN OPEN CUT. IT SHALL APPLY TO CUT AND COVER WORK OF SUBWAY CONSTRUCTION AFTER THE TEMPORARY COVER HAS BEEN PLACED.....\$ 36.35

27.30

LABORERS:, CONSTRUCTION CRAFT LABORERS: GROUP 1-E: WORK ON AND/OR IN BELL HOLE FOOTINGS AND SHAFTS THEREOF, AND WORK ON AND IN DEEP FOOTINGS. (A DEEP FOOTING IS A HOLE 15 FEET OR MORE IN DEPTH.) IN THE EVENT THE DEPTH OF THE FOOTING IS UNKNOWN AT THE COMMENCEMENT OF EXCAVATION, AND THE FINAL DEPTH EXCEEDS 15 FEET, THE DEEP FOOTING WAGE RATE WOULD APPLY TO ALL EMPLOYEES FOR EACH AND EVERY DAY WORKED ON OR IN THE EXCAVATION OF THE FOOTING FROM THE DATE OF INCEPTION. (MARIN, SAN FRANCISCO, AND SAN MATEO COUNTIES) FOOTNOTE: LABORERS WORKING OFF OR WITH OR FROM BOS'N CHAIRS, SWINGING SCAFFOLDS, BELTS (NOT APPLICABLE TO WORKERS ENTITLED TO RECEIVE THE WAGE RATE SET FORTH IN GROUP 1-A): \$0.25 PER HOUR ADDITIONAL. SEWER CLEANERS SHALL RECEIVE \$4.00 PER DAY ABOVE GROUP 1 WAGE RATES. ""SEWER CLEANER"" MEANS ANY WORKER WHO HANDLES OR COMES IN CONTACT WITH RAW SEWAGE IN SMALL DIAMETER SEWERS. THOSE WHO WORK INSIDE RECENTLY ACTIVE, LARGE DIAMETER SEWERS, AND ALL RECENTLY ACTIVE SEWER MANHOLES, SHALL RECEIVE \$5.00 PER DAY ABOVE GROUP 1 WAGE RATES. MAINTENANCE AND REPAIR TRACK AND ROAD BEDS (UNDERGROUND STRUCTURES). ALL EMPLOYEES PERFORMING WORK COVERED HEREIN SHALL RECEIVE \$.25 PER HOUR ABOVE THEIR REGULAR RATE FOR ALL WORK PERFORMED ON UNDERGROUND STRUCTURES NOT SPECIFICALLY COVERED HEREIN. THIS PARAGRAPH SHALL NOT BE CONSTRUED TO APPLY TO WORK BELOW GROUND LEVEL IN OPEN CUT. IT SHALL APPLY TO CUT AND COVER WORK OF SUBWAY CONSTRUCTION AFTER THE TEMPORARY COVER HAS BEEN PLACED.....\$ 37.05

27.30

LABORERS:, CONSTRUCTION CRAFT LABORERS: GROUP 1-C: BURNING AND WELDING IN CONNECTION WITH LABORERS' WORK; SYNTHETIC THERMOPLASTICS AND SIMILAR TYPE WELDING (MARIN, SAN FRANCISCO, AND SAN MATEO COUNTIES) FOOTNOTE: LABORERS WORKING OFF OR WITH OR FROM BOS'N CHAIRS, SWINGING SCAFFOLDS, BELTS (NOT APPLICABLE TO WORKERS ENTITLED TO RECEIVE THE WAGE RATE SET FORTH IN GROUP 1-A): \$0.25 PER HOUR ADDITIONAL. SEWER CLEANERS SHALL RECEIVE \$4.00 PER DAY ABOVE GROUP 1 WAGE RATES. ""SEWER CLEANER"" MEANS ANY WORKER WHO HANDLES OR COMES IN CONTACT WITH RAW SEWAGE IN SMALL DIAMETER SEWERS. THOSE WHO WORK INSIDE RECENTLY ACTIVE, LARGE DIAMETER SEWERS, AND ALL RECENTLY ACTIVE SEWER MANHOLES, SHALL RECEIVE \$5.00 PER DAY ABOVE GROUP 1 WAGE RATES. MAINTENANCE AND REPAIR TRACK AND ROAD BEDS (UNDERGROUND STRUCTURES). ALL EMPLOYEES PERFORMING WORK COVERED HEREIN SHALL RECEIVE \$.25 PER HOUR ABOVE THEIR REGULAR RATE FOR ALL WORK PERFORMED ON UNDERGROUND STRUCTURES NOT SPECIFICALLY COVERED HEREIN. THIS PARAGRAPH SHALL NOT BE CONSTRUED TO APPLY TO WORK BELOW GROUND LEVEL IN OPEN CUT. IT SHALL APPLY TO CUT AND COVER WORK OF SUBWAY CONSTRUCTION AFTER THE TEMPORARY COVER HAS BEEN PLACED.....\$ 36.55

27.30

LABORERS:, CONSTRUCTION CRAFT LABORERS: GROUP 1-A:

JOY DRILL MODEL TWM-2A; GARDNER-DENVER MODEL DH143 AND SIMILAR TYPE DRILLS; TRACK DRILLER; JACK LEG DRILLER; WAGON DRILLER; MECHANICAL DRILLERS, ALL TYPES REGARDLESS OF TYPE OR METHOD OF POWER; MECHANICAL PIPE LAYERS, ALL TYPES REGARDLESS OF TYPE OR METHOD OF POWER; BLASTER AND POWDER; ALL WORK OF LOADING, PLACING AND BLASTING OF ALL POWDER AND EXPLOSIVES OF WHATEVER TYPE REGARDLESS OF METHOD USED FOR SUCH LOADING AND PLACING; HIGH SCALERS (INCLUDING DRILLING OF SAME); TREE TOPPER; BIT GRINDER (MARIN, SAN FRANCISCO, AND SAN MATEO COUNTIES) FOOTNOTE: LABORERS WORKING OFF OR WITH OR FROM BOS'N CHAIRS, SWINGING SCAFFOLDS, BELTS (NOT APPLICABLE TO WORKERS ENTITLED TO RECEIVE THE WAGE RATE SET FORTH IN GROUP 1-A): \$0.25 PER HOUR ADDITIONAL.

SEWER CLEANERS SHALL RECEIVE \$4.00 PER DAY ABOVE GROUP 1 WAGE RATES. ""SEWER CLEANER"" MEANS ANY WORKER WHO HANDLES OR COMES IN CONTACT WITH RAW SEWAGE IN SMALL DIAMETER SEWERS. THOSE WHO WORK INSIDE RECENTLY ACTIVE, LARGE DIAMETER SEWERS, AND ALL RECENTLY ACTIVE SEWER MANHOLES, SHALL RECEIVE \$5.00 PER DAY ABOVE GROUP 1 WAGE RATES. MAINTENANCE AND REPAIR TRACK AND ROAD BEDS (UNDERGROUND STRUCTURES). ALL EMPLOYEES PERFORMING WORK COVERED HEREIN SHALL RECEIVE \$.25 PER HOUR ABOVE THEIR REGULAR RATE FOR ALL WORK PERFORMED ON UNDERGROUND STRUCTURES NOT SPECIFICALLY COVERED HEREIN. THIS PARAGRAPH SHALL NOT BE CONSTRUED TO APPLY TO WORK BELOW GROUND LEVEL IN OPEN CUT. IT SHALL APPLY TO CUT AND COVER WORK OF SUBWAY CONSTRUCTION AFTER THE TEMPORARY COVER HAS BEEN PLACED.....\$ 36.72

27.30

LABORERS:, CONSTRUCTION CRAFT LABORERS: GROUP 1: ASPHALT SPREADER BOXES (ALL TYPES); BARKO, WACKER AND SIMILAR TYPE TAMPERS; BUGGYMOBILE; CAULKER, BANDER, PIPEWRAPPER, CONDUIT LAYER, PLASTIC PIPELAYER; CERTIFIED HAZARDOUS WASTE WORKER INCLUDING LEADE ABATEMENT; COMPACTORS OF ALL TYPES; CONCRETE AND MAGNESITE MIXER, 1/2 YD. AND UNDER; CONCRETE PAN WORK; CONCRETE SANDER; CONCRETE SAW; CRIBBER AND/OR SHORING; CUT GRANITE CURB SETTER; DRI-PAK-IT MACHINE; FALLER, LOGLOADER AND BUCKER; FORM RAISER, SLIP FORMS; GREEN CUTTER; HEADERBOARD, HUBSETTER, ALIGNER, BY ANY METHOD; HIGH PRESSURE BLOW PIPE (1-1/2" OR OVER, 100 LBS. PRESSURE/OVER); HYDRO SEEDER AND SIMILAR TYPE; JACKHAMMER OPERATOR; JACKING OF PIPE OVER 12 INCHES; JACKSON AND SIMILAR TYPE COMPACTOR; KETTLE TENDER, POT AND WORKER APPLYING ASPHALT, LAY-KOLD, CREOSOTE, LIME, CAUSTIC AND SIMILAR TYPE MATERIALS (APPLYING MEANS APPLYING, DIPPING OR HANDLING OF SUCH MATERIALS); LAGGING, SHEETING, WHALING, BRACING, TRENCHJACKING, LAGGING HAMMER; MAGNESITE, EPOXYRESIN, FIBERGLASS, MASTIC WORKER (WET OR DRY); NO JOINT PIPE AND STRIPPING OF SAME, INCLUDING REPAIR OF VOIDS; PAVEMENT BREAKER AND SPADER, INCLUDING TOOL GRINDER; PERMA CURB; PIPELAYER (INCLUDING GRADE CHECKING IN CONNECTION WITH PIPELAYING); PRECAST-MANHOLE SETTER; PRESSURE PIPE TESTER; POST HOLE DIGGER, AIR, GAS AND ELECTRIC; POWER BROOM SWEEPER; POWER TAMPERS OF ALL TYPES (EXCEPT AS SHOWN IN GROUP 2); RAM SET GUN AND STUD GUN; RIPRAP STONEPAVER AND ROCK-SLINGER, INCLUDING PLACING OF SACKED CONCRETE AND/OR SAND (WET OR DRY) AND GABIONS AND SIMILAR TYPE; ROTARY SCARIFIER OR

MULTIPLE HEAD CONCRETE CHIPPING SCARIFIER; ROTO AND DITCH WITCH; ROTOTILLER; SANDBLASTER, POT, GUN, NOZZLE OPERATORS; SIGNALLING AND RIGGING; TANK CLEANER; TREE CLIMBER; TURBO BLASTER; VIBRASCREED, BULL FLOAT IN CONNECTION WITH LABORERS' WORK; VIBRATOR; HAZARDOUS WASTE WORKER (LEAD REMOVAL); ASBESTOS AND MOLD REMOVAL WORKER (MARIN, SAN FRANCISCO, AND SAN MATEO COUNTIES) FOOTNOTE: LABORERS WORKING OFF OR WITH OR FROM BOS'N CHAIRS, SWINGING SCAFFOLDS, BELTS (NOT APPLICABLE TO WORKERS ENTITLED TO RECEIVE THE WAGE RATE SET FORTH IN GROUP 1-A): \$0.25 PER HOUR ADDITIONAL.

SEWER CLEANERS SHALL RECEIVE \$4.00 PER DAY ABOVE GROUP 1 WAGE RATES. ""SEWER CLEANER"" MEANS ANY WORKER WHO HANDLES OR COMES IN CONTACT WITH RAW SEWAGE IN SMALL DIAMETER SEWERS. THOSE WHO WORK INSIDE RECENTLY ACTIVE, LARGE DIAMETER SEWERS, AND ALL RECENTLY ACTIVE SEWER MANHOLES, SHALL RECEIVE \$5.00 PER DAY ABOVE GROUP 1 WAGE RATES.

MAINTENANCE AND REPAIR TRACK AND ROAD BEDS (UNDERGROUND STRUCTURES). ALL EMPLOYEES PERFORMING WORK COVERED HEREIN SHALL RECEIVE \$.25 PER HOUR ABOVE THEIR REGULAR RATE FOR ALL WORK PERFORMED ON UNDERGROUND STRUCTURES NOT SPECIFICALLY COVERED HEREIN. THIS PARAGRAPH SHALL NOT BE CONSTRUED TO APPLY TO WORK BELOW GROUND LEVEL IN OPEN CUT. IT SHALL APPLY TO CUT AND COVER WORK OF SUBWAY CONSTRUCTION AFTER THE TEMPORARY COVER HAS BEEN PLACED.....\$ 36.50

27.30

LABORERS: CONSTRUCTION CRAFT LABORERS: CONSTRUCTION SPECIALIST: ASPHALT IRONER AND RAKER; CHAINSAW; LASER BEAM IN CONNECTION WITH LABORERS' WORK; CAST-IN- PLACE MANHOLE FORM SETTER; PRESSURE PIPELAYER; DAVIS TRENCHER - 300 OR SIMILAR TYPE (AND ALL SMALL TRENCHERS); BLASTER; DIAMOND DRILLER; MULTIPLE UNIT DRILL; HYDRAULIC DRILL (MARIN, SAN FRANCISCO, AND SAN MATEO COUNTIES) FOOTNOTE: LABORERS WORKING OFF OR WITH OR FROM BOS'N CHAIRS, SWINGING SCAFFOLDS, BELTS (NOT APPLICABLE TO WORKERS ENTITLED TO RECEIVE THE WAGE RATE SET FORTH IN GROUP 1-A): \$0.25 PER HOUR ADDITIONAL. SEWER CLEANERS SHALL

RECEIVE \$4.00 PER DAY ABOVE GROUP 1 WAGE RATES. ""SEWER CLEANER"" MEANS ANY WORKER WHO HANDLES OR COMES IN CONTACT WITH RAW SEWAGE IN SMALL DIAMETER SEWERS. THOSE WHO WORK INSIDE RECENTLY ACTIVE, LARGE DIAMETER SEWERS, AND ALL RECENTLY ACTIVE SEWER MANHOLES, SHALL RECEIVE \$5.00 PER DAY ABOVE GROUP 1 WAGE RATES. MAINTENANCE AND REPAIR TRACK AND ROAD BEDS (UNDERGROUND STRUCTURES). ALL EMPLOYEES PERFORMING WORK COVERED HEREIN SHALL RECEIVE \$.25 PER HOUR ABOVE THEIR REGULAR RATE FOR ALL WORK PERFORMED ON UNDERGROUND STRUCTURES NOT SPECIFICALLY COVERED HEREIN. THIS PARAGRAPH SHALL NOT BE CONSTRUED TO APPLY TO WORK BELOW GROUND LEVEL IN OPEN CUT. IT SHALL APPLY TO CUT AND COVER WORK OF SUBWAY CONSTRUCTION AFTER THE TEMPORARY COVER HAS BEEN PLACED.\$ 37.20

27.30

LAB00261-008 07/01/2023

LABORER: MASON TENDER-BRICK MARIN COUNTY.....Rates \$ 37.54

Fringes 25.55

LAB00261-011 07/01/2023

Rates Fringes

MASON TENDER, BRICK SAN FRANCISCO AND SAN MATEO
 COUNTIES FOOTNOTES: UNDERGROUND WORK SUCH AS
 SEWERS, MANHOLES, CATCH BASINS, SEWER PIPES,
 TELEPHONE CONDUITS, TUNNELS AND CUT TRENCHES: \$5.00
 PER DAY ADDITIONAL. WORK IN LIVE SEWAGE: \$2.50 PER
 DAY ADDITIONAL.....\$ 37.05 27.45

LAB00261-012 07/01/2023

Rates Fringes

PLASTERER TENDER (EL DORADO, MARIN, NAPA, PLACER,
 SACRAMENTO, SOLANO, SONOMA, SUTTER, YOLO AND YUBA
 COUNTIES) WORK ON A SWING STAGE SCAFFOLD: \$1.00
 PER HOUR ADDITIONAL.....\$ 39.77 28.54

LAB00261-013 07/01/2023

Rates Fringes

PLASTER TENDER (SAN FRANCISCO AND SAN MATEO
 COUNTIES) WORK ON A SWING STAGE SCAFFOLD: \$1.00
 PER HOUR ADDITIONAL.....\$ 41.93 30.32

LAB00270-001 06/26/2023

Rates Fringes

LANDSCAPE LABORER, GARDENERS, HORTICULTURAL &
 LANDSCAPE LABORERS - AREA B: NEW CONSTRUCTION (AREA
 ""B"" - MONTEREY, SAN BENITO, AND SANTA CRUZ
 COUNTIES) FOOTNOTE: Laborers working off or with or
 from bos'n chairs, swinging scaffolds, belts:
 \$0.25 per hour additional.....\$ 35.25 27.30

LANDSCAPE LABORER, GARDENERS, HORTICULTURAL &
 LANDSCAPE LABORERS - AREA B: ESTABLISHMENT WARRANTY
 PERIOD (AREA ""B"" - MONTEREY, SAN BENITO, AND SANTA
 CRUZ COUNTIES) FOOTNOTE: Laborers working off or
 with or from bos'n chairs, swinging scaffolds,
 belts: \$0.25 per hour additional.....\$ 28.94 27.30

LANDSCAPE LABORER, GARDENERS, HORTICULTURAL &
 LANDSCAPE LABORERS - AREA A: NEW CONSTRUCTION (AREA
 ""A"" - SANTA CLARA COUNTY) FOOTNOTE: Laborers
 working off or with or from bos'n chairs, swinging
 scaffolds, belts: \$0.25 per hour additional.....\$ 36.25 27.30

LANDSCAPE LABORER, GARDENERS, HORTICULTURAL &
 LANDSCAPE LABORERS - AREA A: ESTABLISHMENT WARRANTY
 PERIOD (AREA ""A"" - SANTA CLARA COUNTY) FOOTNOTE:
 Laborers working off or with or from bos'n chairs,
 swinging scaffolds, belts: \$0.25 per hour
 additional.....\$ 29.94 27.30

LABORERS:, WRECKING - AREA B: GROUP 2 :
 Semi-skilled wrecker (salvaging of other building
 materials)(AREA ""B"" - MONTEREY, SAN BENITO, AND
 SANTA CRUZ COUNTIES) FOOTNOTE: Laborers working off
 or with or from bos'n chairs, swinging scaffolds,
 belts: \$0.25 per hour additional.....\$ 35.35 27.30

LABORERS:, WRECKING - AREA B: GROUP 1: Skilled
 wrecker (removing and salvaging of sash, windows
 and materials) (AREA ""B"" - MONTEREY, SAN BENITO,
 AND SANTA CRUZ COUNTIES) FOOTNOTE: Laborers working
 off or with or from bos'n chairs, swinging
 scaffolds, belts: \$0.25 per hour additional.....\$ 35.50 27.30

LABORERS:, WRECKING - AREA A: GROUP 2: Semi-skilled
 wrecker (salvaging of other building materials)
 (AREA ""A"" - SANTA CLARA COUNTY) FOOTNOTE: Laborers

working off or with or from bos'n chairs, swinging scaffolds, belts: \$0.25 per hour additional.....\$ 36.35	27.30
LABORERS:, WRECKING - AREA A: GROUP 1: Skilled wrecker (removing and salvaging of sash, windows and materials) (AREA ""A"" - SANTA CLARA COUNTY) FOOTNOTE: Laborers working off or with or from bos'n chairs, swinging scaffolds, belts: \$0.25 per hour additional.....\$ 36.50	27.30
LABORERS:, GUNITE - AREA B: GROUP 4: GUNITE LABORER (AREA ""B"" - MONTEREY, SAN BENITO, AND SANTA CRUZ COUNTIES) FOOTNOTE: Laborers working off or with or from bos'n chairs, swinging scaffolds, belts: \$0.25 per hour additional.....\$ 35.25	27.30
LABORERS:, GUNITE - AREA B: GROUP 3: REBOUNDMAN (AREA ""B"" - MONTEREY, SAN BENITO, AND SANTA CRUZ COUNTIES) FOOTNOTE: Laborers working off or with or from bos'n chairs, swinging scaffolds, belts: \$0.25 per hour additional.....\$ 35.37	27.30
LABORERS:, GUNITE - AREA B: GROUP 2: NOZZLEMAN, GUNMAN, POTMAN, GORUNDMAN (AREA ""B"" - MONTEREY, SAN BENITO, AND SANTA CRUZ COUNTIES) FOOTNOTE: Laborers working off or with or from bos'n chairs, swinging scaffolds, belts: \$0.25 per hour additional.....\$ 35.96	27.30
LABORERS:, GUNITE - AREA B: GROUP 1: STRUCTURAL NOZZLEMAN (AREA ""B"" - MONTEREY, SAN BENITO, AND SANTA CRUZ COUNTIES) FOOTNOTE: Laborers working off or with or from bos'n chairs, swinging scaffolds, belts: \$0.25 per hour additional.....\$ 36.46	27.30
LABORERS:, GUNITE - AREA A: GROUP 4: GUNITE LABORER (AREA ""A"" - SANTA CLARA COUNTY) FOOTNOTE: Laborers working off or with or from bos'n chairs, swinging scaffolds, belts: \$0.25 per hour additional.....\$ 36.25	27.30
LABORERS:, GUNITE - AREA A: GROUP 3: REBOUNDMAN (AREA ""A"" - SANTA CLARA COUNTY) FOOTNOTE: Laborers working off or with or from bos'n chairs, swinging scaffolds, belts: \$0.25 per hour additional.....\$ 36.37	27.30
LABORERS:, GUNITE - AREA A: GROUP 2: NOZZLEMAN, GUNMAN, POTMAN, GROUNDMAN (AREA ""A"" - SANTA CLARA COUNTY) FOOTNOTE: Laborers working off or with or from bos'n chairs, swinging scaffolds, belts: \$0.25 per hour additional.....\$ 36.96	27.30
LABORERS:, GUNITE - AREA A: GROUP 1: STRUCTURAL NOZZLEMAN (AREA ""A"" - SANTA CLARA COUNTY) FOOTNOTE: Laborers working off or with or from bos'n chairs, swinging scaffolds, belts: \$0.25 per hour additional.....\$ 37.46	27.30
LABORERS:, CONSTRUCTION CRAFT LABORERS - AREA B: GROUP 4: All clean-up work of debris, grounds and building including but not limited to: street cleaner; cleaning and washing windows; brick cleaner (jobsite only); material cleaner (jobsite only). The classification ""material cleaner"" is to be utilized under the following conditions: A: at demolition site for the salvage of the material. B: at the conclusion of a job where the material is to be salvaged and stocked to be reused on another job. C: for the cleaning of salvage material at the jobsite or temporary jobsite yard. The material cleaner classification should not be used in the performance of ""form stripping, cleaning and oiling and moving to the next point of erection"". (AREA ""B"" - MONTEREY, SAN BENITO, AND SANTA CRUZ COUNTIES) FOOTNOTE: Laborers working off or with or from bos'n chairs, swinging scaffolds, belts: \$0.25 per hour additional.\$ 28.94	27.30

LABORERS:, CONSTRUCTION CRAFT LABORERS - AREA B:
 GROUP 3: Construction laborers, including bridge and general laborer; Dump, load spotter; Flag person; Fire watcher; Fence erector; Guardrail erector; Gardener, horticultural and landscape laborer; Jetting; Limber, brush loader and piler; Pavement marker (button setter); Maintenance, repair track and road beds; Streetcar and railroad construction track laborer; Temporary air and water lines, Victaulic or similar; Tool room attendant (jobsite only) (AREA ""B"" - MONTEREY, SAN BENITO, AND SANTA CRUZ COUNTIES) FOOTNOTE: Laborers working off or with or from bos'n chairs, swinging scaffolds, belts: \$0.25 per hour additional.\$ 35.25 27.30

LABORERS:, CONSTRUCTION CRAFT LABORERS - AREA B:
 GROUP 2: Asphalt shoveler; Cement dumper and handling dry cement or gypsum; Choke-setter and rigger (clearing work); Concrete bucket dumper and chute; Concrete chipping and grinding; Concrete laborer (wet or dry); Driller tender, chuck tender, nipper; Guinea chaser (stake), grout crew; High pressure nozzle, adductor; Hydraulic monitor (over 100 lbs. pressure); Loading and unloading, carrying and hauling of all rods and materials for use in reinforcing concrete construction; Pittsburgh chipper and similar type brush shredders; Sloper; Single foot, hand-held, pneumatic tamper; All pneumatic, air, gas and electric tools not listed in Groups 1 through 1-f; Jacking of pipe - under 12 inches (AREA ""B"" - MONTEREY, SAN BENITO, AND SANTA CRUZ COUNTIES) FOOTNOTE: Laborers working off or with or from bos'n chairs, swinging scaffolds, belts: \$0.25 per hour additional.\$ 35.35 27.30

LABORERS:, CONSTRUCTION CRAFT LABORERS - AREA B:
 GROUP 1-F: Wire winding machine in connection with guniting or shot crete (AREA ""B"" - MONTEREY, SAN BENITO, AND SANTA CRUZ COUNTIES) FOOTNOTE: Laborers working off or with or from bos'n chairs, swinging scaffolds, belts: \$0.25 per hour additional.\$ 36.08 27.30

LABORERS:, CONSTRUCTION CRAFT LABORERS - AREA B:
 GROUP 1-E: Work on and/or in bell hole footings and shafts thereof, and work on and in deep footings. (A deep footing is a hole 15 feet or more in depth.) In the event the depth of the footing is unknown at the commencement of excavation, and the final depth exceeds 15 feet, the deep footing wage rate would apply to all employees for each and every day worked on or in the excavation of the footing from the date of inception. (AREA ""B"" - MONTEREY, SAN BENITO, AND SANTA CRUZ COUNTIES) FOOTNOTE: Laborers working off or with or from bos'n chairs, swinging scaffolds, belts: \$0.25 per hour additional.\$ 36.05 27.30

LABORERS:, CONSTRUCTION CRAFT LABORERS - AREA B:
 GROUP 1-C: Burning and welding in connection with laborers' work; Synthetic thermoplastics and similar type welding (AREA ""B"" - MONTEREY, SAN BENITO, AND SANTA CRUZ COUNTIES) FOOTNOTE: Laborers working off or with or from bos'n chairs, swinging scaffolds, belts: \$0.25 per hour additional.\$ 35.55 27.30

LABORERS:, CONSTRUCTION CRAFT LABORERS - AREA B:
 GROUP 1-A: Joy drill model TWM-2A; Gardner-Denver model DH143 and similar type drills; Track driller; Jack leg driller; Wagon driller; Mechanical drillers, all types regardless of type or method of

power; Mechanical pipe layers, all types regardless of type or method of power; Blaster and powder; All work of loading, placing and blasting of all powder and explosives of whatever type regardless of method used for such loading and placing; High scalers (including drilling of same); Tree topper; Bit grinder (AREA ""B"" - MONTEREY, SAN BENITO, AND SANTA CRUZ COUNTIES) FOOTNOTE: Laborers working off or with or from bos'n chairs, swinging scaffolds, belts: \$0.25 per hour additional.\$ 35.72 27.30

LABORERS:, CONSTRUCTION CRAFT LABORERS - AREA B:
 GROUP 1: Asphalt spreader boxes (all types); Barko, Wacker and similar type tampers; Buggymobile; Caulker, bander, pipewrapper, conduit layer, plastic pipelayer; Certified hazardous waste worker including Leade Abatement; Compactors of all types; Concrete and magnesite mixer, 1/2 yd. and under; Concrete pan work; Concrete sander; Concrete saw; Cribber and/or shoring; Cut granite curb setter; Dri-pak-it machine; Faller, logloader and buckler; Form raiser, slip forms; Green cutter; Headerboard, Hubsetter, aligner, by any method; High pressure blow pipe (1-1/2"" or over, 100 lbs.

pressure/over); Hydro seeder and similar type; Jackhammer operator; Jacking of pipe over 12 inches; Jackson and similar type compactor; Kettle tender, pot and worker applying asphalt, lay-kold, creosote, lime, caustic and similar type materials (applying means applying, dipping or handling of such materials); Lagging, sheeting, whaling, bracing, trenchjacking, lagging hammer; Magnesite, epoxyresin, fiberglass, mastic worker (wet or dry); No joint pipe and stripping of same, including repair of voids; Pavement breaker and spader, including tool grinder; Perma curb; Pipelayer (including grade checking in connection with pipelaying); Precast-manhole setter; Pressure pipe tester; Post hole digger, air, gas and electric; Power broom sweeper; Power tampers of all types (except as shown in Group 2); Ram set gun and stud gun; Riprap stonepaver and rock-slinger, including placing of sacked concrete and/or sand (wet or dry) and gabions and similar type; Rotary scarifier or multiple head concrete chipping scarifier; Roto and Ditch Witch; Rototiller; Sandblaster, pot, gun, nozzle operators; Signalling and rigging; Tank cleaner; Tree climber; Turbo blaster; Vibrascreed, bull float in connection with laborers' work; Vibrator; Hazardous waste worker (lead removal); Asbestos and mold removal worker (AREA ""B"" - MONTEREY, SAN BENITO, AND SANTA CRUZ COUNTIES) FOOTNOTE: Laborers working off or with or from bos'n chairs, swinging scaffolds, belts: \$0.25 per hour additional.\$ 35.50 27.30

LABORERS:, CONSTRUCTION CRAFT LABORERS - AREA B:
 CONSTRUCTION SPECIALIST: Asphalt ironer and raker; Chainsaw; Laser beam in connection with laborers' work; Cast-in- place manhole form setter; Pressure pipelayer; Davis trencher - 300 or similar type (and all small trenchers); Blaster; Diamond driller; Multiple unit drill; Hydraulic drill (AREA ""B"" - MONTEREY, SAN BENITO, AND SANTA CRUZ COUNTIES) FOOTNOTE: Laborers working off or with or from bos'n chairs, swinging scaffolds, belts: \$0.25 per hour additional.\$ 36.20 27.30

LABORERS:, CONSTRUCTION CRAFT LABORERS - AREA A:
 GROUP 4: All clean-up work of debris, grounds and building including but not limited to: street cleaner; cleaning and washing windows; brick cleaner (jobsite only); material cleaner (jobsite only). The classification ""material cleaner"" is to be utilized under the following conditions: A: at demolition site for the salvage of the material. B: at the conclusion of a job where the material is to be salvaged and stocked to be reused on another job. C: for the cleaning of salvage material at the jobsite or temporary jobsite yard. The material cleaner classification should not be used in the performance of ""form stripping, cleaning and oiling and moving to the next point of erection"". (AREA ""A"" - SANTA CLARA COUNTY)

FOOTNOTE: Laborers working off or with or from bos'n chairs, swinging scaffolds, belts: \$0.25 per hour additional. Sewer cleaners shall receive \$4.00 per day above Group 1 wage rates. ""Sewer cleaner"" means any worker who handles or comes in contact with raw sewage in small diameter sewers. Those who work inside recently active, large diameter sewers, and all recently active sewer manholes, shall receive \$5.00 per day above Group 1 wage rates. Maintenance and repair track and road beds (underground structures). All employees performing work covered herein shall receive \$.25 per hour above their regular rate for all work performed on underground structures not specifically covered herein. This paragraph shall not be construed to apply to work below ground level in open cut. It shall apply to cut and cover work of subway construction after the temporary cover has been placed.....\$ 29.94

27.30

LABORERS:, CONSTRUCTION CRAFT LABORERS - AREA A:
 GROUP 3: Construction laborers, including bridge and general laborer; Dump, load spotter; Flag person; Fire watcher; Fence erector; Guardrail erector; Gardener, horticultural and landscape laborer; Jetting; Limber, brush loader and piler; Pavement marker (button setter); Maintenance, repair track and road beds; Streetcar and railroad construction track laborer; Temporary air and water lines, Victaulic or similar; Tool room attendant (jobsite only) (AREA ""A"" - SANTA CLARA COUNTY)

FOOTNOTE: Laborers working off or with or from bos'n chairs, swinging scaffolds, belts: \$0.25 per hour additional. Sewer cleaners shall receive \$4.00 per day above Group 1 wage rates. ""Sewer cleaner"" means any worker who handles or comes in contact with raw sewage in small diameter sewers. Those who work inside recently active, large diameter sewers, and all recently active sewer manholes, shall receive \$5.00 per day above Group 1 wage rates. Maintenance and repair track and road beds (underground structures). All employees performing work covered herein shall receive \$.25 per hour above their regular rate for all work performed on underground structures not specifically covered herein. This paragraph shall not be construed to apply to work below ground level in open cut. It shall apply to cut and cover work of subway construction after the temporary cover has been placed.....\$ 36.25

27.30

LABORERS:, CONSTRUCTION CRAFT LABORERS - AREA A:
 GROUP 2: Asphalt shoveler; Cement dumper and handling dry cement or gypsum; Choke-setter and rigger (clearing work); Concrete bucket dumper and chute; Concrete chipping and grinding; Concrete laborer (wet or dry); Driller tender, chuck tender, nipper; Guinea chaser (stake), grout crew; High pressure nozzle, adductor; Hydraulic monitor (over 100 lbs. pressure); Loading and unloading, carrying and hauling of all rods and materials for use in reinforcing concrete construction; Pittsburgh chipper and similar type brush shredders; Sloper; Single foot, hand-held, pneumatic tamper; All pneumatic, air, gas and electric tools not listed in Groups 1 through 1-f; Jacking of pipe - under 12 inches (AREA ""A"" - SANTA CLARA COUNTY) FOOTNOTE: Laborers working off or with or from bos'n chairs, swinging scaffolds, belts: \$0.25 per hour additional. Sewer cleaners shall receive \$4.00 per day above Group 1 wage rates. ""Sewer cleaner"" means any worker who handles or comes in contact with raw sewage in small diameter sewers. Those who work inside recently active, large diameter sewers, and all recently active sewer manholes, shall receive \$5.00 per day above Group 1 wage rates. Maintenance and repair track and road beds (underground structures). All employees performing work covered herein shall receive \$.25 per hour above their regular rate for all work performed on underground structures not specifically covered herein. This paragraph shall not be construed to apply to work below ground level in open cut. It shall apply to cut and cover work of subway construction after the temporary cover has been placed.....\$ 36.35

27.30

LABORERS:, CONSTRUCTION CRAFT LABORERS - AREA A:
 GROUP 1-F: Wire winding machine in connection with guniting or shot crete (AREA ""A"" - SANTA CLARA COUNTY AREA ""B"" - MONTEREY, SAN BENITO, AND SANTA CRUZ COUNTIES) FOOTNOTE: Laborers working off or with or from bos'n chairs, swinging scaffolds, belts: \$0.25 per hour additional. Sewer cleaners shall receive \$4.00 per day above Group 1 wage rates. ""Sewer cleaner"" means any worker who handles or comes in contact with raw sewage in small diameter sewers. Those who work inside recently active, large diameter sewers, and all recently active sewer manholes, shall receive \$5.00 per day above Group 1 wage rates. Maintenance and repair track and road beds (underground structures). All employees performing work covered herein shall receive \$.25 per hour above their regular rate for all work performed on underground structures not specifically covered herein. This paragraph shall not be construed to apply to work below ground level in open cut. It shall apply to cut and cover work of subway construction after the temporary cover has been placed.....\$ 37.08

27.30

LABORERS:, CONSTRUCTION CRAFT LABORERS - AREA A:
 GROUP 1-E: Work on and/or in bell hole footings and shafts thereof, and work on and in deep footings. (A deep footing is a hole 15 feet or more in depth.) In the event the depth of the footing is unknown at the commencement of excavation, and the final depth exceeds 15 feet, the deep footing wage

rate would apply to all employees for each and every day worked on or in the excavation of the footing from the date of inception. (AREA ""A"" - SANTA CLARA COUNTY) FOOTNOTE: Laborers working off or with or from bos'n chairs, swinging scaffolds, belts: \$0.25 per hour additional. Sewer cleaners shall receive \$4.00 per day above Group 1 wage rates. ""Sewer cleaner"" means any worker who handles or comes in contact with raw sewage in small diameter sewers. Those who work inside recently active, large diameter sewers, and all recently active sewer manholes, shall receive \$5.00 per day above Group 1 wage rates. Maintenance and repair track and road beds (underground structures). All employees performing work covered herein shall receive \$.25 per hour above their regular rate for all work performed on underground structures not specifically covered herein. This paragraph shall not be construed to apply to work below ground level in open cut. It shall apply to cut and cover work of subway construction after the temporary cover has been placed.....\$ 37.05

27.30

LABORERS:, CONSTRUCTION CRAFT LABORERS - AREA A: GROUP 1-C: Burning and welding in connection with laborers' work; Synthetic thermoplastics and similar type welding (AREA ""A"" - SANTA CLARA COUNTY) FOOTNOTE: Laborers working off or with or from bos'n chairs, swinging scaffolds, belts: \$0.25 per hour additional. Sewer cleaners shall receive \$4.00 per day above Group 1 wage rates. ""Sewer cleaner"" means any worker who handles or comes in contact with raw sewage in small diameter sewers. Those who work inside recently active, large diameter sewers, and all recently active sewer manholes, shall receive \$5.00 per day above Group 1 wage rates. Maintenance and repair track and road beds (underground structures). All employees performing work covered herein shall receive \$.25 per hour above their regular rate for all work performed on underground structures not specifically covered herein. This paragraph shall not be construed to apply to work below ground level in open cut. It shall apply to cut and cover work of subway construction after the temporary cover has been placed.....\$ 36.55

27.30

LABORERS:, CONSTRUCTION CRAFT LABORERS - AREA A: GROUP 1-A: Joy drill model TWM-2A; Gardner-Denver model DH143 and similar type drills; Track driller; Jack leg driller; Wagon driller; Mechanical drillers, all types regardless of type or method of power; Mechanical pipe layers, all types regardless of type or method of power; Blaster and powder; All work of loading, placing and blasting of all powder and explosives of whatever type regardless of method used for such loading and placing; High scalers (including drilling of same); Tree topper; Bit grinder (AREA ""A"" - SANTA CLARA COUNTY) FOOTNOTE: Laborers working off or with or from bos'n chairs, swinging scaffolds, belts: \$0.25 per hour additional. Sewer cleaners shall receive \$4.00 per day above Group 1 wage rates. ""Sewer cleaner"" means any worker who handles or comes in contact with raw sewage in small diameter sewers. Those who work inside recently active, large diameter sewers, and all recently active sewer manholes,

shall receive \$5.00 per day above Group 1 wage rates. Maintenance and repair track and road beds (underground structures). All employees performing work covered herein shall receive \$.25 per hour above their regular rate for all work performed on underground structures not specifically covered herein. This paragraph shall not be construed to apply to work below ground level in open cut. It shall apply to cut and cover work of subway construction after the temporary cover has been placed.....\$ 36.72

27.30

LABORERS:, CONSTRUCTION CRAFT LABORERS - AREA A:
 GROUP 1: Asphalt spreader boxes (all types); Barko, Wacker and similar type tampers; Buggymobile; Caulker, bander, pipewrapper, conduit layer, plastic pipelayer; Certified hazardous waste worker including Leade Abatement; Compactors of all types; Concrete and magnesite mixer, 1/2 yd. and under; Concrete pan work; Concrete sander; Concrete saw; Cribber and/or shoring; Cut granite curb setter; Dri-pak-it machine; Faller, logloader and buckler; Form raiser, slip forms; Green cutter; Headerboard, Hubsetter, aligner, by any method; High pressure blow pipe (1-1/2" or over, 100 lbs. pressure/over); Hydro seeder and similar type; Jackhammer operator; Jacking of pipe over 12 inches; Jackson and similar type compactor; Kettle tender, pot and worker applying asphalt, lay-kold, creosote, lime, caustic and similar type materials (applying means applying, dipping or handling of such materials); Lagging, sheeting, whaling, bracing, trenchjacking, lagging hammer; Magnesite, epoxyresin, fiberglass, mastic worker (wet or dry); No joint pipe and stripping of same, including repair of voids; Pavement breaker and spader, including tool grinder; Perma curb; Pipelayer (including grade checking in connection with pipelaying); Precast-manhole setter; Pressure pipe tester; Post hole digger, air, gas and electric; Power broom sweeper; Power tampers of all types (except as shown in Group 2); Ram set gun and stud gun; Riprap stonepaver and rock-slinger, including placing of sacked concrete and/or sand (wet or dry) and gabions and similar type; Rotary scarifier or multiple head concrete chipping scarifier; Roto and Ditch Witch; Rototiller; Sandblaster, pot, gun, nozzle operators; Signalling and rigging; Tank cleaner; Tree climber; Turbo blaster; Vibrascreed, bull float in connection with laborers' work; Vibrator; Hazardous waste worker (lead removal); Asbestos and mold removal worker (AREA "A" - SANTA CLARA COUNTY) FOOTNOTE: Laborers working off or with or from bos'n chairs, swinging scaffolds, belts: \$0.25 per hour additional. Sewer cleaners shall receive \$4.00 per day above Group 1 wage rates. "Sewer cleaner" means any worker who handles or comes in contact with raw sewage in small diameter sewers. Those who work inside recently active, large diameter sewers, and all recently active sewer manholes, shall receive \$5.00 per day above Group 1 wage rates. Maintenance and repair track and road beds (underground structures). All employees performing work covered herein shall receive \$.25 per hour above their regular rate for all work performed on underground

structures not specifically covered herein. This paragraph shall not be construed to apply to work below ground level in open cut. It shall apply to cut and cover work of subway construction after the temporary cover has been placed.....\$ 36.50 27.30

LABORERS:, CONSTRUCTION CRAFT LABORERS - AREA A:
 CONSTRUCTION SPECIALIST: Asphalt ironer and raker; Chainsaw; Laser beam in connection with laborers' work; Cast-in- place manhole form setter; Pressure pipelayer; Davis trencher - 300 or similar type (and all small trenchers); Blaster; Diamond driller; Multiple unit drill; Hydraulic drill (AREA ""A"" - SANTA CLARA COUNTY) FOOTNOTE: Laborers working off or with or from bos'n chairs, swinging scaffolds, belts: \$0.25 per hour additional. Sewer cleaners shall receive \$4.00 per day above Group 1 wage rates. ""Sewer cleaner"" means any worker who handles or comes in contact with raw sewage in small diameter sewers. Those who work inside recently active, large diameter sewers, and all recently active sewer manholes, shall receive \$5.00 per day above Group 1 wage rates. Maintenance and repair track and road beds (underground structures). All employees performing work covered herein shall receive \$.25 per hour above their regular rate for all work performed on underground structures not specifically covered herein. This paragraph shall not be construed to apply to work below ground level in open cut. It shall apply to cut and cover work of subway construction after the temporary cover has been placed.....\$ 37.20 27.30

LAB00270-002 07/01/2023

	Rates	Fringes
MASON TENDER, BRICK (SANTA CRUZ COUNTY).....	\$ 35.29	26.85
MASON TENDER, BRICK (SANTA CLARA COUNTY).....	\$ 35.29	26.85

LAB00270-006 07/01/2023

	Rates	Fringes
LABORER: MASON TENDER-BRICK (MONTEREY AND SAN BENITO COUNTIES).....	\$ 36.29	25.55

LAB00270-008 07/01/2023

	Rates	Fringes
PLASTER TENDER (SANTA CLARA & SANTA CRUZ) WORK ON A SWING STAGE SCAFFOLD: \$1.00 PER HOUR ADDITIONAL.....	\$ 40.68	29.68

LAB00270-009 07/01/2023

	Rates	Fringes
PLASTERER TENDER (MONTEREY AND SAN BENITO COUNTIES) WORK ON A SWING STAGE SCAFFOLD: \$1.00 PER HOUR ADDITIONAL.....	\$ 40.68	29.68

LAB00304-001 06/26/2023

	Rates	Fringes
LANDSCAPE LABORER, GARDENERS, HORTICULTURAL & LANDSCAPE LABORERS: NEW CONSTRUCTION (ALAMEDA COUNTY) FOOTNOTE: LABORERS WORKING OFF OR WITH OR FROM BOS'N CHAIRS, SWINGING SCAFFOLDS, BELTS		

(NOT APPLICABLE TO WORKERS ENTITLED TO RECEIVE THE WAGE RATE SET FORTH IN GROUP 1-A): \$0.25 PER HOUR ADDITIONAL.....\$ 36.25 27.30
 LANDSCAPE LABORER, GARDENERS, HORTICULTURAL & LANDSCAPE LABORERS: ESTABLISHMENT WARRANTY PERIOD (ALAMEDA COUNTY) FOOTNOTE: LABORERS WORKING OFF OR WITH OR FROM BOS'N CHAIRS, SWINGING SCAFFOLDS, BELTS (NOT APPLICABLE TO WORKERS ENTITLED TO RECEIVE THE WAGE RATE SET FORTH IN GROUP 1-A): \$0.25 PER HOUR ADDITIONAL.....\$ 29.94 27.30
 LABORERS:, WRECKING: GROUP 2 GROUP 2: Semi-skilled wrecker (salvaging of other building materials) (ALAMEDA COUNTY) FOOTNOTE: LABORERS WORKING OFF OR WITH OR FROM BOS'N CHAIRS, SWINGING SCAFFOLDS, BELTS (NOT APPLICABLE TO WORKERS ENTITLED TO RECEIVE THE WAGE RATE SET FORTH IN GROUP 1-A): \$0.25 PER HOUR ADDITIONAL.....\$ 36.35 27.30
 LABORERS:, WRECKING: GROUP 1 Skilled wrecker (removing and salvaging of sash, windows and materials) (ALAMEDA COUNTY) FOOTNOTE: LABORERS WORKING OFF OR WITH OR FROM BOS'N CHAIRS, SWINGING SCAFFOLDS, BELTS (NOT APPLICABLE TO WORKERS ENTITLED TO RECEIVE THE WAGE RATE SET FORTH IN GROUP 1-A): \$0.25 PER HOUR ADDITIONAL.....\$ 36.50 27.30
 LABORERS:, GUNITE: GROUP 4 GUNITE LABORER (ALAMEDA COUNTY) FOOTNOTE: LABORERS WORKING OFF OR WITH OR FROM BOS'N CHAIRS, SWINGING SCAFFOLDS, BELTS: \$0.25 PER HOUR ADDITIONAL.....\$ 36.25 27.30
 LABORERS:, GUNITE: GROUP 3 REBOUNDMAN (ALAMEDA COUNTY) FOOTNOTE: LABORERS WORKING OFF OR WITH OR FROM BOS'N CHAIRS, SWINGING SCAFFOLDS, BELTS: \$0.25 PER HOUR ADDITIONAL.....\$ 36.37 27.30
 LABORERS:, GUNITE: GROUP 2 NOZZLEMAN, GUNMAN, POTMAN, GROUNDMAN (ALAMEDA COUNTY) FOOTNOTE: LABORERS WORKING OFF OR WITH OR FROM BOS'N CHAIRS, SWINGING SCAFFOLDS, BELTS: \$0.25 PER HOUR ADDITIONAL.....\$ 36.96 27.30
 LABORERS:, GUNITE: GROUP 1 STRUCTURAL NOZZLEMAN (ALAMEDA COUNTY) FOOTNOTE: LABORERS WORKING OFF OR WITH OR FROM BOS'N CHAIRS, SWINGING SCAFFOLDS, BELTS: \$0.25 PER HOUR ADDITIONAL.....\$ 37.46 27.30
 LABORERS:, CONSTRUCTION CRAFT LABORERS: GROUP 4 ALL CLEAN-UP WORK OF DEBRIS, GROUNDS AND BUILDING INCLUDING BUT NOT LIMITED TO: STREET CLEANER; CLEANING AND WASHING WINDOWS; BRICK CLEANER (JOBSITE ONLY); MATERIAL CLEANER (JOBSITE ONLY). THE CLASSIFICATION ""MATERIAL CLEANER"" IS TO BE UTILIZED UNDER THE FOLLOWING CONDITIONS: A: AT DEMOLITION SITE FOR THE SALVAGE OF THE MATERIAL. B: AT THE CONCLUSION OF A JOB WHERE THE MATERIAL IS TO BE SALVAGED AND STOCKED TO BE REUSED ON ANOTHER JOB. C: FOR THE CLEANING OF SALVAGE MATERIAL AT THE JOBSITE OR TEMPORARY JOBSITE YARD. THE MATERIAL CLEANER CLASSIFICATION SHOULD NOT BE USED IN THE PERFORMANCE OF ""FORM STRIPPING, CLEANING AND OILING AND MOVING TO THE NEXT POINT OF ERECTION"". (ALAMEDA COUNTY) FOOTNOTE: LABORERS WORKING OFF OR WITH OR FROM BOS'N CHAIRS, SWINGING SCAFFOLDS, BELTS (NOT APPLICABLE TO WORKERS ENTITLED TO RECEIVE THE WAGE RATE SET FORTH IN GROUP 1-A): \$0.25 PER HOUR ADDITIONAL. SEWER CLEANERS SHALL RECEIVE \$4.00 PER DAY ABOVE GROUP 1 WAGE RATES. ""SEWER CLEANER"" MEANS ANY WORKER WHO HANDLES OR COMES IN CONTACT WITH RAW SEWAGE IN SMALL DIAMETER SEWERS. THOSE WHO WORK

INSIDE RECENTLY ACTIVE, LARGE MAINTENANCE AND REPAIR TRACK AND ROAD BEDS (UNDERGROUND STRUCTURES). ALL EMPLOYEES PERFORMING WORK COVERED HEREIN SHALL RECEIVE \$.25 PER HOUR ABOVE THEIR REGULAR RATE FOR ALL WORK PERFORMED ON UNDERGROUND STRUCTURES NOT SPECIFICALLY COVERED HEREIN. THIS PARAGRAPH SHALL NOT BE CONSTRUED TO APPLY TO WORK BELOW GROUND LEVEL IN OPEN CUT. IT SHALL APPLY TO CUT AND COVER WORK OF SUBWAY CONSTRUCTION AFTER THE TEMPORARY COVER HAS BEEN PLACED.....\$ 29.94

27.30

LABORERS:, CONSTRUCTION CRAFT LABORERS: GROUP 3 CONSTRUCTION LABORERS, INCLUDING BRIDGE AND GENERAL LABORER; DUMP, LOAD SPOTTER; FLAG PERSON; FIRE WATCHER; FENCE ERECTOR; GUARDRAIL ERECTOR; GARDENER, HORTICULTURAL AND LANDSCAPE LABORER; JETTING; LIMBER, BRUSH LOADER AND PILER; PAVEMENT MARKER (BUTTON SETTER); MAINTENANCE, REPAIR TRACK AND ROAD BEDS; STREETCAR AND RAILROAD CONSTRUCTION TRACK LABORER; TEMPORARY AIR AND WATER LINES, VICTAULIC OR SIMILAR; TOOL ROOM ATTENDANT (JOBSITE ONLY) (ALAMEDA COUNTY) FOOTNOTE: LABORERS WORKING OFF OR WITH OR FROM BOS'N CHAIRS, SWINGING SCAFFOLDS, BELTS (NOT APPLICABLE TO WORKERS ENTITLED TO RECEIVE THE WAGE RATE SET FORTH IN GROUP 1-A): \$0.25 PER HOUR ADDITIONAL. SEWER CLEANERS SHALL RECEIVE \$4.00 PER DAY ABOVE GROUP 1 WAGE RATES. ""SEWER CLEANER"" MEANS ANY WORKER WHO HANDLES OR COMES IN CONTACT WITH RAW SEWAGE IN SMALL DIAMETER SEWERS. THOSE WHO WORK INSIDE RECENTLY ACTIVE, LARGE MAINTENANCE AND REPAIR TRACK AND ROAD BEDS (UNDERGROUND STRUCTURES). ALL EMPLOYEES PERFORMING WORK COVERED HEREIN SHALL RECEIVE \$.25 PER HOUR ABOVE THEIR REGULAR RATE FOR ALL WORK PERFORMED ON UNDERGROUND STRUCTURES NOT SPECIFICALLY COVERED HEREIN. THIS PARAGRAPH SHALL NOT BE CONSTRUED TO APPLY TO WORK BELOW GROUND LEVEL IN OPEN CUT. IT SHALL APPLY TO CUT AND COVER WORK OF SUBWAY CONSTRUCTION AFTER THE TEMPORARY COVER HAS BEEN PLACED.....\$ 36.25

27.30

LABORERS:, CONSTRUCTION CRAFT LABORERS: GROUP 2 ASPHALT SHOVELER; CEMENT DUMPER AND HANDLING DRY CEMENT OR GYPSUM; CHOKE-SETTER AND RIGGER (CLEARING WORK); CONCRETE BUCKET DUMPER AND CHUTE; CONCRETE CHIPPING AND GRINDING; CONCRETE LABORER (WET OR DRY); DRILLER TENDER, CHUCK TENDER, NIPPER; GUINEA CHASER (STAKE), GROUT CREW; HIGH PRESSURE NOZZLE, ADDUCTOR; HYDRAULIC MONITOR (OVER 100 LBS. PRESSURE); LOADING AND UNLOADING, CARRYING AND HAULING OF ALL RODS AND MATERIALS FOR USE IN REINFORCING CONCRETE CONSTRUCTION; PITTSBURGH CHIPPER AND SIMILAR TYPE BRUSH SHREDDERS; SLOPER; SINGLE FOOT, HAND-HELD, PNEUMATIC TAMPER; ALL PNEUMATIC, AIR, GAS AND ELECTRIC TOOLS NOT LISTED IN GROUPS 1 THROUGH 1-F; JACKING OF PIPE - UNDER 12 INCHES (ALAMEDA COUNTY) FOOTNOTE: LABORERS WORKING OFF OR WITH OR FROM BOS'N CHAIRS, SWINGING SCAFFOLDS, BELTS (NOT APPLICABLE TO WORKERS ENTITLED TO RECEIVE THE WAGE RATE SET FORTH IN GROUP 1-A): \$0.25 PER HOUR ADDITIONAL. SEWER CLEANERS SHALL RECEIVE \$4.00 PER DAY ABOVE GROUP 1 WAGE RATES. ""SEWER CLEANER"" MEANS ANY WORKER WHO HANDLES OR COMES IN CONTACT WITH RAW SEWAGE IN SMALL DIAMETER SEWERS. THOSE WHO WORK INSIDE RECENTLY ACTIVE, LARGE MAINTENANCE AND REPAIR TRACK AND ROAD BEDS (UNDERGROUND STRUCTURES). ALL

EMPLOYEES PERFORMING WORK COVERED HEREIN SHALL RECEIVE \$.25 PER HOUR ABOVE THEIR REGULAR RATE FOR ALL WORK PERFORMED ON UNDERGROUND STRUCTURES NOT SPECIFICALLY COVERED HEREIN. THIS PARAGRAPH SHALL NOT BE CONSTRUED TO APPLY TO WORK BELOW GROUND LEVEL IN OPEN CUT. IT SHALL APPLY TO CUT AND COVER WORK OF SUBWAY CONSTRUCTION AFTER THE TEMPORARY COVER HAS BEEN PLACED.....\$ 36.35

27.30

LABORERS:, CONSTRUCTION CRAFT LABORERS: GROUP 1-F WIRE WINDING MACHINE IN CONNECTION WITH GUNITING OR SHOT CRETE (ALAMEDA COUNTY) FOOTNOTE: LABORERS WORKING OFF OR WITH OR FROM BOS'N CHAIRS, SWINGING SCAFFOLDS, BELTS (NOT APPLICABLE TO WORKERS ENTITLED TO RECEIVE THE WAGE RATE SET FORTH IN GROUP 1-A): \$0.25 PER HOUR ADDITIONAL. SEWER CLEANERS SHALL RECEIVE \$4.00 PER DAY ABOVE GROUP 1 WAGE RATES. ""SEWER CLEANER"" MEANS ANY WORKER WHO HANDLES OR COMES IN CONTACT WITH RAW SEWAGE IN SMALL DIAMETER SEWERS. THOSE WHO WORK INSIDE RECENTLY ACTIVE, LARGE MAINTENANCE AND REPAIR TRACK AND ROAD BEDS (UNDERGROUND STRUCTURES). ALL EMPLOYEES PERFORMING WORK COVERED HEREIN SHALL RECEIVE \$.25 PER HOUR ABOVE THEIR REGULAR RATE FOR ALL WORK PERFORMED ON UNDERGROUND STRUCTURES NOT SPECIFICALLY COVERED HEREIN. THIS PARAGRAPH SHALL NOT BE CONSTRUED TO APPLY TO WORK BELOW GROUND LEVEL IN OPEN CUT. IT SHALL APPLY TO CUT AND COVER WORK OF SUBWAY CONSTRUCTION AFTER THE TEMPORARY COVER HAS BEEN PLACED.....\$ 37.08

27.30

LABORERS:, CONSTRUCTION CRAFT LABORERS: GROUP 1-E WORK ON AND/OR IN BELL HOLE FOOTINGS AND SHAFTS THEREOF, AND WORK ON AND IN DEEP FOOTINGS. (A DEEP FOOTING IS A HOLE 15 FEET OR MORE IN DEPTH.) IN THE EVENT THE DEPTH OF THE FOOTING IS UNKNOWN AT THE COMMENCEMENT OF EXCAVATION, AND THE FINAL DEPTH EXCEEDS 15 FEET, THE DEEP FOOTING WAGE RATE WOULD APPLY TO ALL EMPLOYEES FOR EACH AND EVERY DAY WORKED ON OR IN THE EXCAVATION OF THE FOOTING FROM THE DATE OF INCEPTION. (ALAMEDA COUNTY) FOOTNOTE: LABORERS WORKING OFF OR WITH OR FROM BOS'N CHAIRS, SWINGING SCAFFOLDS, BELTS (NOT APPLICABLE TO WORKERS ENTITLED TO RECEIVE THE WAGE RATE SET FORTH IN GROUP 1-A): \$0.25 PER HOUR ADDITIONAL. SEWER CLEANERS SHALL RECEIVE \$4.00 PER DAY ABOVE GROUP 1 WAGE RATES. ""SEWER CLEANER"" MEANS ANY WORKER WHO HANDLES OR COMES IN CONTACT WITH RAW SEWAGE IN SMALL DIAMETER SEWERS. THOSE WHO WORK INSIDE RECENTLY ACTIVE, LARGE MAINTENANCE AND REPAIR TRACK AND ROAD BEDS (UNDERGROUND STRUCTURES). ALL EMPLOYEES PERFORMING WORK COVERED HEREIN SHALL RECEIVE \$.25 PER HOUR ABOVE THEIR REGULAR RATE FOR ALL WORK PERFORMED ON UNDERGROUND STRUCTURES NOT SPECIFICALLY COVERED HEREIN. THIS PARAGRAPH SHALL NOT BE CONSTRUED TO APPLY TO WORK BELOW GROUND LEVEL IN OPEN CUT. IT SHALL APPLY TO CUT AND COVER WORK OF SUBWAY CONSTRUCTION AFTER THE TEMPORARY COVER HAS BEEN PLACED.....\$ 37.05

27.30

LABORERS:, CONSTRUCTION CRAFT LABORERS: GROUP 1-C BURNING AND WELDING IN CONNECTION WITH LABORERS' WORK; SYNTHETIC THERMOPLASTICS AND SIMILAR TYPE WELDING (ALAMEDA COUNTY) FOOTNOTE: LABORERS WORKING OFF OR WITH OR FROM BOS'N CHAIRS, SWINGING SCAFFOLDS, BELTS (NOT APPLICABLE TO WORKERS ENTITLED TO RECEIVE THE WAGE RATE SET FORTH IN

GROUP 1-A): \$0.25 PER HOUR ADDITIONAL. SEWER CLEANERS SHALL RECEIVE \$4.00 PER DAY ABOVE GROUP 1 WAGE RATES. ""SEWER CLEANER"" MEANS ANY WORKER WHO HANDLES OR COMES IN CONTACT WITH RAW SEWAGE IN SMALL DIAMETER SEWERS. THOSE WHO WORK INSIDE RECENTLY ACTIVE, LARGE MAINTENANCE AND REPAIR TRACK AND ROAD BEDS (UNDERGROUND STRUCTURES). ALL EMPLOYEES PERFORMING WORK COVERED HEREIN SHALL RECEIVE \$.25 PER HOUR ABOVE THEIR REGULAR RATE FOR ALL WORK PERFORMED ON UNDERGROUND STRUCTURES NOT SPECIFICALLY COVERED HEREIN. THIS PARAGRAPH SHALL NOT BE CONSTRUED TO APPLY TO WORK BELOW GROUND LEVEL IN OPEN CUT. IT SHALL APPLY TO CUT AND COVER WORK OF SUBWAY CONSTRUCTION AFTER THE TEMPORARY COVER HAS BEEN PLACED.....\$ 36.55

27.30

LABORERS:, CONSTRUCTION CRAFT LABORERS: GROUP 1-A JOY DRILL MODEL TWM-2A; GARDNER-DENVER MODEL DH143 AND SIMILAR TYPE DRILLS; TRACK DRILLER; JACK LEG DRILLER; WAGON DRILLER; MECHANICAL DRILLERS, ALL TYPES REGARDLESS OF TYPE OR METHOD OF POWER; MECHANICAL PIPE LAYERS, ALL TYPES REGARDLESS OF TYPE OR METHOD OF POWER; BLASTER AND POWDER; ALL WORK OF LOADING, PLACING AND BLASTING OF ALL POWDER AND EXPLOSIVES OF WHATEVER TYPE REGARDLESS OF METHOD USED FOR SUCH LOADING AND PLACING; HIGH SCALERS (INCLUDING DRILLING OF SAME); TREE TOPPER; BIT GRINDER (ALAMEDA COUNTY) FOOTNOTE: LABORERS WORKING OFF OR WITH OR FROM BOS'N CHAIRS, SWINGING SCAFFOLDS, BELTS (NOT APPLICABLE TO WORKERS ENTITLED TO RECEIVE THE WAGE RATE SET FORTH IN GROUP 1-A): \$0.25 PER HOUR ADDITIONAL. SEWER CLEANERS SHALL RECEIVE \$4.00 PER DAY ABOVE GROUP 1 WAGE RATES. ""SEWER CLEANER"" MEANS ANY WORKER WHO HANDLES OR COMES IN CONTACT WITH RAW SEWAGE IN SMALL DIAMETER SEWERS. THOSE WHO WORK INSIDE RECENTLY ACTIVE, LARGE MAINTENANCE AND REPAIR TRACK AND ROAD BEDS (UNDERGROUND STRUCTURES). ALL EMPLOYEES PERFORMING WORK COVERED HEREIN SHALL RECEIVE \$.25 PER HOUR ABOVE THEIR REGULAR RATE FOR ALL WORK PERFORMED ON UNDERGROUND STRUCTURES NOT SPECIFICALLY COVERED HEREIN. THIS PARAGRAPH SHALL NOT BE CONSTRUED TO APPLY TO WORK BELOW GROUND LEVEL IN OPEN CUT. IT SHALL APPLY TO CUT AND COVER WORK OF SUBWAY CONSTRUCTION AFTER THE TEMPORARY COVER HAS BEEN PLACED.\$ 36.72

27.30

LABORERS:, CONSTRUCTION CRAFT LABORERS: GROUP 1 ASPHALT SPREADER BOXES (ALL TYPES); BARKO, WACKER AND SIMILAR TYPE TAMPERS; BUGGYMOBILE; CAULKER, BANDER, PIPEWRAPPER, CONDUIT LAYER, PLASTIC PIPELAYER; CERTIFIED HAZARDOUS WASTE WORKER INCLUDING LEADE ABATEMENT; COMPACTORS OF ALL TYPES; CONCRETE AND MAGNESITE MIXER, 1/2 YD. AND UNDER; CONCRETE PAN WORK; CONCRETE SANDER; CONCRETE SAW; CRIBBER AND/OR SHORING; CUT GRANITE CURB SETTER; DRI-PAK-IT MACHINE; FALLER, LOGLOADER AND BUCKER; FORM RAISER, SLIP FORMS; GREEN CUTTER; HEADERBOARD, HUBSETTER, ALIGNER, BY ANY METHOD; HIGH PRESSURE BLOW PIPE (1-1/2"" OR OVER, 100 LBS. PRESSURE/OVER); HYDRO SEEDER AND SIMILAR TYPE; JACKHAMMER OPERATOR; JACKING OF PIPE OVER 12 INCHES; JACKSON AND SIMILAR TYPE COMPACTOR; KETTLE TENDER, POT AND WORKER APPLYING ASPHALT, LAY-KOLD, CREOSOTE, LIME, CAUSTIC AND SIMILAR TYPE MATERIALS (APPLYING MEANS APPLYING, DIPPING OR HANDLING OF SUCH MATERIALS); LAGGING, SHEETING, WHALING, BRACING, TRENCHJACKING,

LAGGING HAMMER; MAGNESITE, EPOXYRESIN, FIBERGLASS, MASTIC WORKER (WET OR DRY); NO JOINT PIPE AND STRIPPING OF SAME, INCLUDING REPAIR OF VOIDS; PAVEMENT BREAKER AND SPADER, INCLUDING TOOL GRINDER; PERMA CURB; PIPELAYER (INCLUDING GRADE CHECKING IN CONNECTION WITH PIPELAYING); PRECAST-MANHOLE SETTER; PRESSURE PIPE TESTER; POST HOLE DIGGER, AIR, GAS AND ELECTRIC; POWER BROOM SWEEPER; POWER TAMPERS OF ALL TYPES (EXCEPT AS SHOWN IN GROUP 2); RAM SET GUN AND STUD GUN; RIPRAP STONEPAVER AND ROCK-SLINGER, INCLUDING PLACING OF SACKED CONCRETE AND/OR SAND (WET OR DRY) AND GABIONS AND SIMILAR TYPE; ROTARY SCARIFIER OR MULTIPLE HEAD CONCRETE CHIPPING SCARIFIER; ROTO AND DITCH WITCH; ROTOTILLER; SANDBLASTER, POT, GUN, NOZZLE OPERATORS; SIGNALLING AND RIGGING; TANK CLEANER; TREE CLIMBER; TURBO BLASTER; VIBRASCREED, BULL FLOAT IN CONNECTION WITH LABORERS' WORK; VIBRATOR; HAZARDOUS WASTE WORKER (LEAD REMOVAL); ASBESTOS AND MOLD REMOVAL WORKER (ALAMEDA COUNTY)

FOOTNOTE: LABORERS WORKING OFF OR WITH OR FROM BOS'N CHAIRS, SWINGING SCAFFOLDS, BELTS (NOT APPLICABLE TO WORKERS ENTITLED TO RECEIVE THE WAGE RATE SET FORTH IN GROUP 1-A): \$0.25 PER HOUR ADDITIONAL. SEWER CLEANERS SHALL RECEIVE \$4.00 PER DAY ABOVE GROUP 1 WAGE RATES. ""SEWER CLEANER"" MEANS ANY WORKER WHO HANDLES OR COMES IN CONTACT WITH RAW SEWAGE IN SMALL DIAMETER SEWERS. THOSE WHO WORK INSIDE RECENTLY ACTIVE, LARGE MAINTENANCE AND REPAIR TRACK AND ROAD BEDS (UNDERGROUND STRUCTURES). ALL EMPLOYEES PERFORMING WORK COVERED HEREIN SHALL RECEIVE \$.25 PER HOUR ABOVE THEIR REGULAR RATE FOR ALL WORK PERFORMED ON UNDERGROUND STRUCTURES NOT SPECIFICALLY COVERED HEREIN. THIS PARAGRAPH SHALL NOT BE CONSTRUED TO APPLY TO WORK BELOW GROUND LEVEL IN OPEN CUT. IT SHALL APPLY TO CUT AND COVER WORK OF SUBWAY CONSTRUCTION AFTER THE TEMPORARY COVER HAS BEEN PLACED.....\$ 36.50

27.30

LABORERS: CONSTRUCTION CRAFT LABORERS: CONSTRUCTION SPECIALIST ASPHALT IRONER AND RAKER; CHAINSAW; LASER BEAM IN CONNECTION WITH LABORERS' WORK; CAST-IN- PLACE MANHOLE FORM SETTER; PRESSURE PIPELAYER; DAVIS TRENCHER - 300 OR SIMILAR TYPE (AND ALL SMALL TRENCHERS); BLASTER; DIAMOND DRILLER; MULTIPLE UNIT DRILL; HYDRAULIC DRILL (ALAMEDA COUNTY) FOOTNOTE: LABORERS WORKING OFF OR WITH OR FROM BOS'N CHAIRS, SWINGING SCAFFOLDS, BELTS (NOT APPLICABLE TO WORKERS ENTITLED TO RECEIVE THE WAGE RATE SET FORTH IN GROUP 1-A): \$0.25 PER HOUR ADDITIONAL. SEWER CLEANERS SHALL RECEIVE \$4.00 PER DAY ABOVE GROUP 1 WAGE RATES. ""SEWER CLEANER"" MEANS ANY WORKER WHO HANDLES OR COMES IN CONTACT WITH RAW SEWAGE IN SMALL DIAMETER SEWERS. THOSE WHO WORK INSIDE RECENTLY ACTIVE, LARGE DIAMETER SEWERS, AND ALL RECENTLY ACTIVE SEWER MANHOLES, SHALL RECEIVE \$5.00 PER DAY ABOVE GROUP 1 WAGE RATES. MAINTENANCE AND REPAIR TRACK AND ROAD BEDS (UNDERGROUND STRUCTURES). ALL EMPLOYEES PERFORMING WORK COVERED HEREIN SHALL RECEIVE \$.25 PER HOUR ABOVE THEIR REGULAR RATE FOR ALL WORK PERFORMED ON UNDERGROUND STRUCTURES NOT SPECIFICALLY COVERED HEREIN. THIS PARAGRAPH SHALL NOT BE CONSTRUED TO APPLY TO WORK BELOW GROUND LEVEL IN OPEN CUT. IT SHALL APPLY TO

CUT AND COVER WORK OF SUBWAY CONSTRUCTION AFTER THE
 TEMPORARY COVER HAS BEEN PLACED.....\$ 37.20 27.30

LAB00304-006 07/01/2023

Rates Fringes

BRICK TENDER (ALAMEDA COUNTY) FOOTNOTES: WORK ON
 JOBS WHERE HEAT-PROTECTIVE CLOTHING IS REQUIRED:
 \$2.00 PER HOUR ADDITIONAL. WORK AT GRINDERS: \$.25
 PER HOUR ADDITIONAL. MANHOLE WORK: \$2.00 PER DAY
 ADDITIONAL.....\$ 37.05 27.45

LAB00304-007 07/01/2023

Rates Fringes

PLASTERER TENDER (ALAMEDA AND CONTRA COSTA
 COUNTIES) WORK ON A SWING STAGE SCAFFOLD: \$1.00
 PER HOUR ADDITIONAL.....\$ 41.93 30.32

LAB00324-001 06/26/2023

Rates Fringes

LANDSCAPE LABORER, GARDENERS, HORTICULTURAL &
 LANDSCAPE LABORERS - AREA B: NEW CONSTRUCTION
 (AREA ""B"" - NAPA, SOLANO, AND SONOMA COUNTIES)
 FOOTNOTE: Laborers working off or with or from
 bos'n chairs, swinging scaffolds, belts: \$0.25 per
 hour additional.....\$ 35.25 27.30

LANDSCAPE LABORER, GARDENERS, HORTICULTURAL &
 LANDSCAPE LABORERS - AREA B: ESTABLISHMENT WARRANTY
 PERIOD (AREA ""B"" - NAPA, SOLANO, AND SONOMA
 COUNTIES) FOOTNOTE: Laborers working off or with
 or from bos'n chairs, swinging scaffolds, belts:
 \$0.25 per hour additional.....\$ 28.94 27.30

LANDSCAPE LABORER, GARDENERS, HORTICULTURAL &
 LANDSCAPE LABORERS - AREA A: NEW CONSTRUCTION (AREA
 ""A"" - CONTRA COSTA COUNTY) FOOTNOTE: Laborers
 working off or with or from bos'n chairs, swinging
 scaffolds, belts: \$0.25 per hour additional.....\$ 36.25 27.30

LANDSCAPE LABORER, GARDENERS, HORTICULTURAL &
 LANDSCAPE LABORERS - AREA A: ESTABLISHMENT WARRANTY
 PERIOD (AREA ""A"" - CONTRA COSTA COUNTY) FOOTNOTE:
 Laborers working off or with or from bos'n chairs,
 swinging scaffolds, belts: \$0.25 per hour
 additional.....\$ 29.94 27.30

LABORERS:, WRECKING - AREA B: GROUP 2: Semi-skilled
 wrecker (salvaging of other building materials)
 (AREA ""B"" - NAPA, SOLANO, AND SONOMA COUNTIES)
 FOOTNOTE: Laborers working off or with or from
 bos'n chairs, swinging scaffolds, belts: \$0.25 per
 hour additional.....\$ 35.35 27.30

LABORERS:, WRECKING - AREA B: GROUP 1: Skilled
 wrecker (removing and salvaging of sash, windows
 and materials) (AREA ""B"" - NAPA, SOLANO, AND SONOMA
 COUNTIES) FOOTNOTE: Laborers working off or with
 or from bos'n chairs, swinging scaffolds, belts:
 \$0.25 per hour additional.....\$ 35.50 27.30

LABORERS:, WRECKING - AREA A: GROUP 2: Semi-skilled
 wrecker (salvaging of other building materials)
 (AREA ""A"" - CONTRA COSTA COUNTY) FOOTNOTE:
 Laborers working off or with or from bos'n chairs,
 swinging scaffolds, belts: \$0.25 per hour
 additional.....\$ 36.35 27.30

LABORERS:, WRECKING - AREA A: GROUP 1: Skilled
 wrecker (removing and salvaging of sash, windows

and materials) (AREA ""A"" - CONTRA COSTA COUNTY)
 FOOTNOTE: Laborers working off or with or from
 bos'n chairs, swinging scaffolds, belts: \$0.25 per
 hour additional.....\$ 36.50 27.30
 LABORERS:, GUNITE - AREA B: GROUP 4: Gunite laborer
 (AREA ""B"" - NAPA, SOLANO, AND SONOMA COUNTIES)
 FOOTNOTE: Laborers working off or with or from
 bos'n chairs, swinging scaffolds, belts: \$0.25 per
 hour additional.....\$ 35.25 27.30
 LABORERS:, GUNITE - AREA B: GROUP 3: Reboundman
 (AREA ""B"" - NAPA, SOLANO, AND SONOMA COUNTIES)
 FOOTNOTE: Laborers working off or with or from
 bos'n chairs, swinging scaffolds, belts: \$0.25 per
 hour additional.....\$ 35.37 27.30
 LABORERS:, GUNITE - AREA B: GROUP 2: Nozzleman,
 Gunman, Potman, Groundman (AREA ""B"" - NAPA, SOLANO,
 AND SONOMA COUNTIES) FOOTNOTE: Laborers working
 off or with or from bos'n chairs, swinging
 scaffolds, belts: \$0.25 per hour additional.....\$ 35.96 27.30
 LABORERS:, GUNITE - AREA B: GROUP 1: Structural
 nozzleman (AREA ""A"" - CONTRA COSTA COUNTY)
 FOOTNOTE: Laborers working off or with or from
 bos'n chairs, swinging scaffolds, belts: \$0.25 per
 hour additional.....\$ 36.46 27.30
 LABORERS:, GUNITE - AREA A: GROUP 4: Gunite laborer
 (AREA ""A"" - CONTRA COSTA COUNTY) FOOTNOTE: Laborers
 working off or with or from bos'n chairs, swinging
 scaffolds, belts: \$0.25 per hour additional.....\$ 36.25 27.30
 LABORERS:, GUNITE - AREA A: GROUP 3: Reboundman
 (AREA ""A"" - CONTRA COSTA COUNTY) FOOTNOTE: Laborers
 working off or with or from bos'n chairs, swinging
 scaffolds, belts: \$0.25 per hour additional.....\$ 36.37 27.30
 LABORERS:, GUNITE - AREA A: GROUP 2: Nozzleman,
 Gunman, Potman, Groundman (AREA ""A"" - CONTRA COSTA
 COUNTY) FOOTNOTE: Laborers working off or with or
 from bos'n chairs, swinging scaffolds, belts:
 \$0.25 per hour additional.....\$ 36.96 27.30
 LABORERS:, GUNITE - AREA A: GROUP 1: Structural
 nozzleman (AREA ""A"" - CONTRA COSTA COUNTY)
 FOOTNOTE: Laborers working off or with or from
 bos'n chairs, swinging scaffolds, belts: \$0.25 per
 hour additional.....\$ 37.46 27.30
 LABORERS:, CONSTRUCTION CRAFT LABORERS - AREA B:
 GROUP 4: All clean-up work of debris, grounds and
 building including but not limited to: street
 cleaner; cleaning and washing windows; brick
 cleaner (jobsite only); material cleaner (jobsite
 only). The classification ""material cleaner"" is to
 be utilized under the following conditions: A: at
 demolition site for the salvage of the material.
 B: at the conclusion of a job where the material is
 to be salvaged and stocked to be reused on another
 job. C: for the cleaning of salvage material at the
 jobsite or temporary jobsite yard. The material
 cleaner classification should not be used in the
 performance of ""form stripping, cleaning and oiling
 and moving to the next point of erection"". (AREA
 ""B"" - NAPA, SOLANO, AND SONOMA COUNTIES) FOOTNOTE:
 Laborers working off or with or from bos'n chairs,
 swinging scaffolds, belts: \$0.25 per hour
 additional.\$ 28.94 27.30
 LABORERS:, CONSTRUCTION CRAFT LABORERS - AREA B:
 GROUP 3: Construction laborers, including bridge
 and general laborer; Dump, load spotter; Flag
 person; Fire watcher; Fence erector; Guardrail

erector; Gardener, horticultural and landscape laborer; Jetting; Limber, brush loader and piler; Pavement marker (button setter); Maintenance, repair track and road beds; Streetcar and railroad construction track laborer; Temporary air and water lines, Victaulic or similar; Tool room attendant (jobsite only) (AREA ""B"" - NAPA, SOLANO, AND SONOMA COUNTIES) FOOTNOTE: Laborers working off or with or from bos'n chairs, swinging scaffolds, belts:

\$0.25 per hour additional.\$ 35.25 27.30

LABORERS:, CONSTRUCTION CRAFT LABORERS - AREA B:

GROUP 2: Asphalt shoveler; Cement dumper and handling dry cement or gypsum; Choke-setter and rigger (clearing work); Concrete bucket dumper and chute; Concrete chipping and grinding; Concrete laborer (wet or dry); Driller tender, chuck tender, nipper; Guinea chaser (stake), grout crew; High pressure nozzle, adductor; Hydraulic monitor (over 100 lbs. pressure); Loading and unloading, carrying and hauling of all rods and materials for use in reinforcing concrete construction; Pittsburgh chipper and similar type brush shredders; Sloper; Single foot, hand-held, pneumatic tamper; All pneumatic, air, gas and electric tools not listed in Groups 1 through 1-f; Jacking of pipe - under 12 inches (AREA ""B"" - NAPA, SOLANO, AND SONOMA COUNTIES) FOOTNOTE: Laborers working off or with or from bos'n chairs, swinging scaffolds, belts:

\$0.25 per hour additional.\$ 35.35 27.30

LABORERS:, CONSTRUCTION CRAFT LABORERS - AREA B:

GROUP 1-F: Wire winding machine in connection with guniting or shot crete (AREA ""B"" - NAPA, SOLANO, AND SONOMA COUNTIES) FOOTNOTE: Laborers working off or with or from bos'n chairs, swinging scaffolds, belts:

\$0.25 per hour additional.\$ 36.08 27.30

LABORERS:, CONSTRUCTION CRAFT LABORERS - AREA B:

GROUP 1-E: Work on and/or in bell hole footings and shafts thereof, and work on and in deep footings. (A deep footing is a hole 15 feet or more in depth.) In the event the depth of the footing is unknown at the commencement of excavation, and the final depth exceeds 15 feet, the deep footing wage rate would apply to all employees for each and every day worked on or in the excavation of the footing from the date of inception. (AREA ""B"" - NAPA, SOLANO, AND SONOMA COUNTIES) FOOTNOTE:

Laborers working off or with or from bos'n chairs, swinging scaffolds, belts: \$0.25 per hour additional.\$ 36.05 27.30

LABORERS:, CONSTRUCTION CRAFT LABORERS - AREA B:

GROUP 1-C: Burning and welding in connection with laborers' work; Synthetic thermoplastics and similar type welding (AREA ""B"" - NAPA, SOLANO, AND SONOMA COUNTIES) FOOTNOTE: Laborers working off or with or from bos'n chairs, swinging scaffolds, belts:

\$0.25 per hour additional.\$ 35.55 27.30

LABORERS:, CONSTRUCTION CRAFT LABORERS - AREA B:

GROUP 1-A: Joy drill model TWM-2A; Gardner-Denver model DH143 and similar type drills; Track driller; Jack leg driller; Wagon driller; Mechanical drillers, all types regardless of type or method of power; Mechanical pipe layers, all types regardless of type or method of power; Blaster and powder; All work of loading, placing and blasting of all powder and explosives of whatever type regardless of

method used for such loading and placing; High scalers (including drilling of same); Tree topper; Bit grinder (AREA ""B"" - NAPA, SOLANO, AND SONOMA COUNTIES)\$ 35.72 27.30

LABORERS:, CONSTRUCTION CRAFT LABORERS - AREA B:
 GROUP 1: Asphalt spreader boxes (all types); Barko, Wacker and similar type tampers; Buggymobile; Caulker, bander, pipewrapper, conduit layer, plastic pipelayer; Certified hazardous waste worker including Leade Abatement; Compactors of all types; Concrete and magnesite mixer, 1/2 yd. and under; Concrete pan work; Concrete sander; Concrete saw; Cribber and/or shoring; Cut granite curb setter; Dri-pak-it machine; Faller, logloader and bucket; Form raiser, slip forms; Green cutter; Headerboard, Hubsetter, aligner, by any method; High pressure blow pipe (1-1/2"" or over, 100 lbs. pressure/over); Hydro seeder and similar type; Jackhammer operator; Jacking of pipe over 12 inches; Jackson and similar type compactor; Kettle tender, pot and worker applying asphalt, lay-kold, creosote, lime, caustic and similar type materials (applying means applying, dipping or handling of such materials); Lagging, sheeting, whaling, bracing, trenchjacking, lagging hammer; Magnesite, epoxyresin, fiberglass, mastic worker (wet or dry); No joint pipe and stripping of same, including repair of voids; Pavement breaker and spader, including tool grinder; Perma curb; Pipelayer (including grade checking in connection with pipelaying); Precast-manhole setter; Pressure pipe tester; Post hole digger, air, gas and electric; Power broom sweeper; Power tampers of all types (except as shown in Group 2); Ram set gun and stud gun; Riprap stonepaver and rock-slinger, including placing of sacked concrete and/or sand (wet or dry) and gabions and similar type; Rotary scarifier or multiple head concrete chipping scarifier; Roto and Ditch Witch; Rototiller; Sandblaster, pot, gun, nozzle operators; Signalling and rigging; Tank cleaner; Tree climber; Turbo blaster; Vibrascreed, bull float in connection with laborers' work; Vibrator; Hazardous waste worker (lead removal); Asbestos and mold removal worker (AREA ""B"" - NAPA, SOLANO, AND SONOMA COUNTIES) FOOTNOTE: Laborers working off or with or from bos'n chairs, swinging scaffolds, belts: \$0.25 per hour additional.\$ 35.50 27.30

LABORERS:, CONSTRUCTION CRAFT LABORERS - AREA B:
 CONSTRUCTION SPECIALIST: Asphalt ironer and raker; Chainsaw; Laser beam in connection with laborers' work; Cast-in- place manhole form setter; Pressure pipelayer; Davis trencher - 300 or similar type (and all small trenchers); Blaster; Diamond driller; Multiple unit drill; Hydraulic drill (AREA ""B"" - NAPA, SOLANO, AND SONOMA COUNTIES) FOOTNOTE: Laborers working off or with or from bos'n chairs, swinging scaffolds, belts: \$0.25 per hour additional.\$ 36.20 27.30

LABORERS:, CONSTRUCTION CRAFT LABORERS - AREA A:
 GROUP 4: All clean-up work of debris, grounds and building including but not limited to: street cleaner; cleaning and washing windows; brick cleaner (jobsite only); material cleaner (jobsite only). The classification ""material cleaner"" is to be utilized under the following conditions: A: at

demolition site for the salvage of the material.
 B: at the conclusion of a job where the material is to be salvaged and stocked to be reused on another job. C: for the cleaning of salvage material at the jobsite or temporary jobsite yard. The material cleaner classification should not be used in the performance of ""form stripping, cleaning and oiling and moving to the next point of erection"". (AREA ""A"" - CONTRA COSTA COUNTY) FOOTNOTE: Laborers working off or with or from bos'n chairs, swinging scaffolds, belts: \$0.25 per hour additional. Sewer cleaners shall receive \$4.00 per day above Group 1 wage rates. ""Sewer cleaner"" means any worker who handles or comes in contact with raw sewage in small diameter sewers. Those who work inside recently active, large diameter sewers, and all recently active sewer manholes, shall receive \$5.00 per day above Group 1 wage rates. Maintenance and repair track and road beds (underground structures). All employees performing work covered herein shall receive \$.25 per hour above their regular rate for all work performed on underground structures not specifically covered herein. This paragraph shall not be construed to apply to work below ground level in open cut. It shall apply to cut and cover work of subway construction after the temporary cover has been placed.....\$ 29.94

27.30

LABORERS:, CONSTRUCTION CRAFT LABORERS - AREA A:
 GROUP 3: Construction laborers, including bridge and general laborer; Dump, load spotter; Flag person; Fire watcher; Fence erector; Guardrail erector; Gardener, horticultural and landscape laborer; Jetting; Limber, brush loader and piler; Pavement marker (button setter); Maintenance, repair track and road beds; Streetcar and railroad construction track laborer; Temporary air and water lines, Victaulic or similar; Tool room attendant (jobsite only) (AREA ""A"" - CONTRA COSTA COUNTY) FOOTNOTE: Laborers working off or with or from bos'n chairs, swinging scaffolds, belts: \$0.25 per hour additional. Sewer cleaners shall receive \$4.00 per day above Group 1 wage rates. ""Sewer cleaner"" means any worker who handles or comes in contact with raw sewage in small diameter sewers. Those who work inside recently active, large diameter sewers, and all recently active sewer manholes, shall receive \$5.00 per day above Group 1 wage rates. Maintenance and repair track and road beds (underground structures). All employees performing work covered herein shall receive \$.25 per hour above their regular rate for all work performed on underground structures not specifically covered herein. This paragraph shall not be construed to apply to work below ground level in open cut. It shall apply to cut and cover work of subway construction after the temporary cover has been placed.....\$ 36.25

27.30

LABORERS:, CONSTRUCTION CRAFT LABORERS - AREA A:
 GROUP 2: ASPHALT SHOVELER; CEMENT DUMPER AND HANDLING DRY CEMENT OR GYPSUM; CHOKE-SETTER AND RIGGER (CLEARING WORK); CONCRETE BUCKET DUMPER AND CHUTE; CONCRETE CHIPPING AND GRINDING; CONCRETE LABORER (WET OR DRY); DRILLER TENDER, CHUCK TENDER, NIPPER; GUINEA CHASER (STAKE), GROUT CREW; HIGH PRESSURE NOZZLE, ADDUCTOR; HYDRAULIC MONITOR (OVER

100 LBS. PRESSURE); LOADING AND UNLOADING, CARRYING AND HAULING OF ALL RODS AND MATERIALS FOR USE IN REINFORCING CONCRETE CONSTRUCTION; PITTSBURGH CHIPPER AND SIMILAR TYPE BRUSH SHREDDERS; SLOPER; SINGLE FOOT, HAND-HELD, PNEUMATIC TAMPER; ALL PNEUMATIC, AIR, GAS AND ELECTRIC TOOLS NOT LISTED IN GROUPS 1 THROUGH 1-F; JACKING OF PIPE - UNDER 12 (AREA ""A"" - CONTRA COSTA COUNTY)

FOOTNOTE: LABORERS WORKING OFF OR WITH OR FROM BOS'N CHAIRS, SWINGING SCAFFOLDS, BELTS: \$0.25 PER HOUR ADDITIONAL.

SEWER CLEANERS SHALL RECEIVE \$4.00 PER DAY ABOVE GROUP 1 WAGE RATES. ""SEWER CLEANER"" MEANS ANY WORKER WHO HANDLES OR COMES IN CONTACT WITH RAW SEWAGE IN SMALL DIAMETER SEWERS. THOSE WHO WORK INSIDE RECENTLY ACTIVE, LARGE DIAMETER SEWERS, AND ALL RECENTLY ACTIVE SEWER MANHOLES, SHALL RECEIVE \$5.00 PER DAY ABOVE GROUP 1 WAGE

MAINTENANCE AND REPAIR TRACK AND ROAD BEDS (UNDERGROUND STRUCTURES). ALL EMPLOYEES PERFORMING WORK COVERED HEREIN SHALL RECEIVE \$.25 PER HOUR ABOVE THEIR REGULAR RATE FOR ALL WORK PERFORMED ON UNDERGROUND STRUCTURES NOT SPECIFICALLY COVERED HEREIN. THIS PARAGRAPH SHALL NOT BE CONSTRUED TO APPLY TO WORK BELOW GROUND LEVEL IN OPEN CUT. IT SHALL APPLY TO CUT AND COVER WORK OF SUBWAY CONSTRUCTION AFTER THE TEMPORARY COVER HAS BEEN PLACED.

.....\$ 36.35 27.30

LABORERS:, CONSTRUCTION CRAFT LABORERS - AREA A: GROUP 1-G CONTRA COSTA COUNTY: Pipelayer (including grade checking on connection with peiplaying); Caulker; Bander; Pipewrapper; Conduit layer; Plastic pipe layer; pressure pipe tester; No joint pipe and stripping of same, including repair of voids; Precast manhole setters, cast in place manhole from setters (AREA ""A"" - CONTRA COSTA COUNTY) FOOTNOTE: Laborers working off or with or from bos'n chairs, swinging scaffolds, belts: \$0.25 per hour additional. Sewer cleaners shall receive \$4.00 per day above Group 1 wage rates. ""Sewer cleaner"" means any worker who handles or comes in contact with raw sewage in small diameter sewers. Those who work inside recently active, large diameter sewers, and all recently active sewer manholes, shall receive \$5.00 per day above Group 1 wage rates. Maintenance and repair track and road beds (underground structures). All employees performing work covered herein shall receive \$.25 per hour above their regular rate for all work performed on underground structures not specifically covered herein. This paragraph shall not be construed to apply to work below ground level in open cut. It shall apply to cut and cover work of subway construction after the temporary cover has been placed.....\$ 36.70

27.30

LABORERS:, CONSTRUCTION CRAFT LABORERS - AREA A: GROUP 1-F: Wire winding machine in connection with guniting or shot crete (AREA ""A"" - CONTRA COSTA COUNTY) FOOTNOTE: Laborers working off or with or from bos'n chairs, swinging scaffolds, belts: \$0.25 per hour additional. Sewer cleaners shall receive \$4.00 per day above Group 1 wage rates. ""Sewer cleaner"" means any worker who handles or comes in contact with raw sewage in small diameter sewers. Those who work inside recently active,

large diameter sewers, and all recently active sewer manholes, shall receive \$5.00 per day above Group 1 wage rates. Maintenance and repair track and road beds (underground structures). All employees performing work covered herein shall receive \$.25 per hour above their regular rate for all work performed on underground structures not specifically covered herein. This paragraph shall not be construed to apply to work below ground level in open cut. It shall apply to cut and cover work of subway construction after the temporary cover has been placed.....\$ 37.08

27.30

LABORERS:, CONSTRUCTION CRAFT LABORERS - AREA A:
 GROUP 1-E: WORK ON AND/OR IN BELL HOLE FOOTINGS AND SHAFTS THEREOF, AND WORK ON AND IN DEEP FOOTINGS. (A DEEP FOOTING IS A HOLE 15 FEET OR MORE IN DEPTH.) IN THE EVENT THE DEPTH OF THE FOOTING IS UNKNOWN AT THE COMMENCEMENT OF EXCAVATION, AND THE FINAL DEPTH EXCEEDS 15 FEET, THE DEEP FOOTING WAGE RATE WOULD APPLY TO ALL EMPLOYEES FOR EACH AND EVERY DAY WORKED ON OR IN THE EXCAVATION OF THE FOOTING FROM THE DATE OF (AREA ""A"" - CONTRA COSTA COUNTY)

FOOTNOTE: LABORERS WORKING OFF OR WITH OR FROM BOS'N CHAIRS, SWINGING SCAFFOLDS, BELTS (NOT APPLICABLE TO WORKERS ENTITLED TO RECEIVE THE WAGE RATE SET FORTH IN GROUP 1-A): \$0.25 PER HOUR ADDITIONAL.

SEWER CLEANERS SHALL RECEIVE \$4.00 PER DAY ABOVE GROUP 1 WAGE RATES. ""SEWER CLEANER"" MEANS ANY WORKER WHO HANDLES OR COMES IN CONTACT WITH RAW SEWAGE IN SMALL DIAMETER SEWERS. THOSE WHO WORK INSIDE RECENTLY ACTIVE, LARGE DIAMETER SEWERS, AND ALL RECENTLY ACTIVE SEWER MANHOLES, SHALL RECEIVE \$5.00 PER DAY ABOVE GROUP 1 WAGE MAINTENANCE AND REPAIR TRACK AND ROAD BEDS (UNDERGROUND STRUCTURES). ALL EMPLOYEES PERFORMING WORK COVERED HEREIN SHALL RECEIVE \$.25 PER HOUR ABOVE THEIR REGULAR RATE FOR ALL WORK PERFORMED ON UNDERGROUND STRUCTURES NOT SPECIFICALLY COVERED HEREIN. THIS PARAGRAPH SHALL NOT BE CONSTRUED TO APPLY TO WORK BELOW GROUND LEVEL IN OPEN CUT. IT SHALL APPLY TO CUT AND COVER WORK OF SUBWAY CONSTRUCTION AFTER THE TEMPORARY COVER HAS BEEN PLACED.\$ 37.05

27.30

LABORERS:, CONSTRUCTION CRAFT LABORERS - AREA A:
 GROUP 1-C: (BURNING AND WELDING IN CONNECTION WITH LABORERS' WORK; SYNTHETIC THERMOPLASTICS AND SIMILAR TYPE (AREA ""A"" - CONTRA COSTA COUNTY)

FOOTNOTE: LABORERS WORKING OFF OR WITH OR FROM BOS'N CHAIRS, SWINGING SCAFFOLDS, BELTS (NOT APPLICABLE TO WORKERS ENTITLED TO RECEIVE THE WAGE RATE SET FORTH IN GROUP 1-A): \$0.25 PER HOUR ADDITIONAL.

SEWER CLEANERS SHALL RECEIVE \$4.00 PER DAY ABOVE GROUP 1 WAGE RATES. ""SEWER CLEANER"" MEANS ANY WORKER WHO HANDLES OR COMES IN CONTACT WITH RAW SEWAGE IN SMALL DIAMETER SEWERS. THOSE WHO WORK INSIDE RECENTLY ACTIVE, LARGE DIAMETER SEWERS, AND ALL RECENTLY ACTIVE SEWER MANHOLES, SHALL RECEIVE \$5.00 PER DAY ABOVE GROUP 1 WAGE MAINTENANCE AND REPAIR TRACK AND ROAD BEDS (UNDERGROUND STRUCTURES). ALL EMPLOYEES PERFORMING WORK COVERED HEREIN SHALL RECEIVE \$.25 PER HOUR

ABOVE THEIR REGULAR RATE FOR ALL WORK PERFORMED ON UNDERGROUND STRUCTURES NOT SPECIFICALLY COVERED HEREIN. THIS PARAGRAPH SHALL NOT BE CONSTRUED TO APPLY TO WORK BELOW GROUND LEVEL IN OPEN CUT. IT SHALL APPLY TO CUT AND COVER WORK OF SUBWAY CONSTRUCTION AFTER THE TEMPORARY COVER HAS BEEN PLACED.\$ 36.55

27.30

LABORERS:, CONSTRUCTION CRAFT LABORERS - AREA A: GROUP 1-A OY DRILL MODEL TWM-2A; GARDNER-DENVER MODEL DH143 AND SIMILAR TYPE DRILLS; TRACK DRILLER; JACK LEG DRILLER; WAGON DRILLER; MECHANICAL DRILLERS, ALL TYPES REGARDLESS OF TYPE OR METHOD OF POWER; MECHANICAL PIPE LAYERS, ALL TYPES REGARDLESS OF TYPE OR METHOD OF POWER; BLASTER AND POWDER; ALL WORK OF LOADING, PLACING AND BLASTING OF ALL POWDER AND EXPLOSIVES OF WHATEVER TYPE REGARDLESS OF METHOD USED FOR SUCH LOADING AND PLACING; HIGH SCALERS (INCLUDING DRILLING OF SAME); TREE TOPPER; BIT

(AREA ""A"" - CONTRA COSTA COUNTY) SEWER CLEANERS SHALL RECEIVE \$4.00 PER DAY ABOVE GROUP 1 WAGE RATES. ""SEWER CLEANER"" MEANS ANY WORKER WHO HANDLES OR COMES IN CONTACT WITH RAW SEWAGE IN SMALL DIAMETER SEWERS. THOSE WHO WORK INSIDE RECENTLY ACTIVE, LARGE DIAMETER SEWERS, AND ALL RECENTLY ACTIVE SEWER MANHOLES, SHALL RECEIVE \$5.00 PER DAY ABOVE GROUP 1 WAGE

MAINTENANCE AND REPAIR TRACK AND ROAD BEDS (UNDERGROUND STRUCTURES). ALL EMPLOYEES PERFORMING WORK COVERED HEREIN SHALL RECEIVE \$.25 PER HOUR ABOVE THEIR REGULAR RATE FOR ALL WORK PERFORMED ON UNDERGROUND STRUCTURES NOT SPECIFICALLY COVERED HEREIN. THIS PARAGRAPH SHALL NOT BE CONSTRUED TO APPLY TO WORK BELOW GROUND LEVEL IN OPEN CUT. IT SHALL APPLY TO CUT AND COVER WORK OF SUBWAY CONSTRUCTION AFTER THE TEMPORARY COVER HAS BEEN PLACED.\$ 36.72

27.30

LABORERS:, CONSTRUCTION CRAFT LABORERS - AREA A: GROUP 1: Asphalt spreader boxes (all types); Barko, Wacker and similar type tampers; Buggymobile; Caulker, bander, pipewrapper, conduit layer, plastic pipelayer; Certified hazardous waste worker including Leade Abatement; Compactors of all types; Concrete and magnesite mixer, 1/2 yd. and under; Concrete pan work; Concrete sander; Concrete saw; Cribber and/or shoring; Cut granite curb setter; Dri-pak-it machine; Faller, logloader and bucket; Form raiser, slip forms; Green cutter; Headerboard, Hubsetter, aligner, by any method; High pressure blow pipe (1-1/2"" or over, 100 lbs. pressure/over); Hydro seeder and similar type; Jackhammer operator; Jacking of pipe over 12 inches; Jackson and similar type compactor; Kettle tender, pot and worker applying asphalt, lay-kold, creosote, lime, caustic and similar type materials (applying means applying, dipping or handling of such materials); Lagging, sheeting, whaling, bracing, trenchjacking, lagging hammer; Magnesite, epoxyresin, fiberglass, mastic worker (wet or dry); No joint pipe and stripping of same, including repair of voids; Pavement breaker and spader, including tool grinder; Perma curb; Pipelayer (including grade checking in connection with pipelaying); Precast-manhole setter; Pressure pipe tester; Post hole digger, air, gas and electric;

Power broom sweeper; Power tampers of all types (except as shown in Group 2); Ram set gun and stud gun; Riprap stonepaver and rock-slinger, including placing of sacked concrete and/or sand (wet or dry) and gabions and similar type; Rotary scarifier or multiple head concrete chipping scarifier; Roto and Ditch Witch; Rototiller; Sandblaster, pot, gun, nozzle operators; Signalling and rigging; Tank cleaner; Tree climber; Turbo blaster; Vibrascreed, bull float in connection with laborers' work; Vibrator; Hazardous waste worker (lead removal); Asbestos and mold removal worker (AREA ""A"" - CONTRA COSTA COUNTY) FOOTNOTE: Laborers working off or with or from bos'n chairs, swinging scaffolds, belts: \$0.25 per hour additional. Sewer cleaners shall receive \$4.00 per day above Group 1 wage rates. ""Sewer cleaner"" means any worker who handles or comes in contact with raw sewage in small diameter sewers. Those who work inside recently active, large diameter sewers, and all recently active sewer manholes, shall receive \$5.00 per day above Group 1 wage rates. Maintenance and repair track and road beds (underground structures). All employees performing work covered herein shall receive \$.25 per hour above their regular rate for all work performed on underground structures not specifically covered herein. This paragraph shall not be construed to apply to work below ground level in open cut. It shall apply to cut and cover work of subway construction after the temporary cover has been placed.....\$ 36.50

27.30

LABORERS:, CONSTRUCTION CRAFT LABORERS - AREA A: CONSTRUCTION SPECIALIST Asphalt ironer and raker; Chainsaw; Laser beam in connection with laborers' work; Cast-in- place manhole form setter; Pressure pipelayer; Davis trencher - 300 or similar type (and all small trenchers); Blaster; Diamond driller; Multiple unit drill; Hydraulic drill (AREA ""A"" - CONTRA COSTA COUNTY) FOOTNOTE: Laborers working off or with or from bos'n chairs, swinging scaffolds, belts: \$0.25 per hour additional. Sewer cleaners shall receive \$4.00 per day above Group 1 wage rates. ""Sewer cleaner"" means any worker who handles or comes in contact with raw sewage in small diameter sewers. Those who work inside recently active, large diameter sewers, and all recently active sewer manholes, shall receive \$5.00 per day above Group 1 wage rates. Maintenance and repair track and road beds (underground structures). All employees performing work covered herein shall receive \$.25 per hour above their regular rate for all work performed on underground structures not specifically covered herein. This paragraph shall not be construed to apply to work below ground level in open cut. It shall apply to cut and cover work of subway construction after the temporary cover has been placed.....\$ 37.20

27.30

LAB00324-011 07/01/2023

Rates

Fringes

LABORER: MASON TENDER-BRICK (SOLANO AND SONOMA COUNTIES) FOOTNOTE: REFRACTORY WORK WHERE HEAT-PROTECTIVE CLOTHING IS REQUIRED: \$2.00 PER HOUR ADDITIONAL.....\$ 36.84

26.24

LAB00324-015 07/01/2023

	Rates	Fringes
BRICK TENDER (CONTRA COSTA COUNTY) FOOTNOTES: WORK ON JOBS WHERE HEAT-PROTECTIVE CLOTHING IS REQUIRED: \$2.00 PER HOUR ADDITIONAL. WORK AT GRINDERS: \$.25 PER HOUR ADDITIONAL. MANHOLE WORK: \$2.00 PER DAY ADDITIONAL.....	\$ 37.05	27.45

LAB00324-017 07/01/2023

	Rates	Fringes
PLASTER TENDER (EL DORADO, MARIN, NAPA, PLACER, SACRAMENTO, SOLANO, SONOMA, SUTTER, YOLO, AND YUBA COUNTIES) Work on a swing stage scaffold: \$1.00 per hour additional.....	\$ 39.77	28.54

PAIN0016-002 01/01/2025

	Rates	Fringes
PAINTERS: BRUSH (EL DORADO, PLACER, SACRAMENTO, SUTTER, YOLO AND YUBA COUNTIES) SPRAY/SANDBLAST: \$0.50 ADDITIONAL PER HOUR. EXOTIC MATERIALS: \$1.25 ADDITIONAL PER HOUR. HIGH TIME: OVER 50 FT ABOVE GROUND OR WATER LEVEL \$2.00 ADDITIONAL PER HOUR. 100 TO 180 FT ABOVE GROUND OR WATER LEVEL \$4.00 ADDITIONAL PER HOUR. OVER 180 FT ABOVE GROUND OR WATER LEVEL \$6.00 ADDITIONAL PER HOUR.....	\$ 43.45	22.80

PAIN0016-009 01/01/2024

	Rates	Fringes
SOFT FLOOR LAYER (ALAMEDA, CONTRA COSTA, MONTEREY, SAN BENITO, SAN FRANCISCO, SAN MATEO, SANTA CLARA, SANTA CRUZ AND SONOMA COUNTIES).....	\$ 59.00	33.03

PAIN0016-011 01/01/2025

	Rates	Fringes
DRYWALL FINISHER/TAPER: (AREA 2) AREA 2: EL DORADO COUNTY, MONTEREY, PLACER, SACRAMENTO, BENITO, SANTA CRUZ, SIERRA, SUTTER AND YUBA COUNTIES.....	\$ 59.63	31.29
DRYWALL FINISHER/TAPER: (AREA 1) AREA 1: ALAMEDA, CONTRA COSTA, NAPA, SAN FRANCISCO, SAN SANTA CLARA, SOLANO AND SONOMA COUNTIES.....	\$ 63.76	32.69

PAIN0016-013 01/01/2025

	Rates	Fringes
PAINTER (ALAMEDA, CONTRA COSTA, MARIN, MONTEREY, NAPA, SAN BENITO, SAN MATEO, SANTA CLARA, SANTA CRUZ, SOLANO & SONOMA COUNTIES) FOOTNOTES: SPRAY WORK: \$0.50 ADDITIONAL PER HOUR. EXOTIC MATERIALS: \$1.25 ADDITIONAL PER HOUR.....	\$ 53.38	28.04

PAIN0016-019 01/01/2025

	Rates	Fringes
PAINTER (SAN FRANCISCO COUNTY).....	\$ 57.00	28.04

PAIN0169-006 01/01/2024

	Rates	Fringes
--	-------	---------

GLAZIER (ALAMEDA, CONTRA COSTA, MARIN, MONTEREY, NAPA, SAN BENITO, SAN FRANCISCO, SAN MATEO, SANTA CLARA, SANTA CRUZ, SONOMA COUNTIES;AND SOLANO COUNTY (WEST OF A LINE DEFINED AS FOLLOWS: HWY. 80 CORRIDOR BEGINNING AT THE CITY OF FAIRFIELD, INCLUDING TRAVIS AIR FORCE BASE AND SUISUN CITY; GOING NORTH OF MANAKAS CORNER RD., CONTINUE NORTH ON SUISUN VALLEY RD. TO THE NAPA COUNTY LINE; HWY. 80 CORRIDOR SOUTH ON GRIZZLY ISLAND RD. TO THE GRIZZLY ISLAND MANAGEMENT AREA).....\$ 56.22 34.00

PAIN0567-002 07/01/2025

Rates Fringes

PAINTER: SPRAY PAINTER (EL DORADO AND PLACER COUNTIES) PREMIUMS: SPRAY & PAPERHANGER = \$0.85/HR SPECIAL COATINGS (BRUSH), & SANDBLAST = \$0.50/HR SPECIAL COATINGS (SPRAY), & STEEPLEJACK = \$1.00/HR SWING STAGE = \$2.00/HR *A SPECIAL COATING IS A COATING THAT REQUIRES THE MIXING OF 2 OR MORE PRODUCTS.....\$ 41.43 16.16

PAINTER: PAPER HANGER (EL DORADO AND PLACER COUNTIES) PREMIUMS: SPRAY & PAPERHANGER = \$0.85/HR SPECIAL COATINGS (BRUSH), & SANDBLAST = \$0.50/HR SPECIAL COATINGS (SPRAY), & STEEPLEJACK = \$1.00/HR SWING STAGE = \$2.00/HR *A SPECIAL COATING IS A COATING THAT REQUIRES THE MIXING OF 2 OR MORE PRODUCTS.....\$ 42.19 16.16

PAINTER: BRUSH AND ROLLER (EL DORADO AND PLACER COUNTIES) PREMIUMS: SPRAY & PAPERHANGER = \$0.85/HR SPECIAL COATINGS (BRUSH), & SANDBLAST = \$0.50/HR SPECIAL COATINGS (SPRAY), & STEEPLEJACK = \$1.00/HR SWING STAGE = \$2.00/HR *A SPECIAL COATING IS A COATING THAT REQUIRES THE MIXING OF 2 OR MORE PRODUCTS.....\$ 39.43 16.16

PAIN0567-008 07/01/2022

Rates Fringes

SOFT FLOOR LAYER (EL DORADO AND PLACER COUNTIES)....\$ 34.27 16.47

PAIN0567-011 07/01/2024

Rates Fringes

DRYWALL FINISHER/TAPER (EL DORADO AND PLACER COUNTIES) STEEPLEJACK-DRYWALL FINISHER OVER 40 FT WITH OPEN SPACE BELOW: \$1.50 ADDITIONAL PER HOUR.....\$ 42.79 16.12

PAIN0767-002 01/01/2024

Rates Fringes

GLAZIER (EL DORADO, PLACER, SACRAMENTO, SOLANO, SUTTER, YOLO AND YUBA COUNTIES) PAID HOLIDAYS: NEW YEAR'S DAY, MARTIN LUTHER KING, JR. DAY, PRESIDENT'S DAY, MEMORIAL DAY, INDEPENDENCE DAY, LABOR DAY, VETERAN'S DAY, THANKSGIVING DAY AND CHRISTMAS DAY. FOOTNOTE: EMPLOYEE REQUIRED TO WEAR A BODY HARNESS SHALL RECEIVE \$1.50 ABOVE THE BASIC HOURLY RATE AT ANY ELEVATION.....\$ 43.25 35.62

PAIN1176-001 07/01/2022

Rates Fringes

PARKING LOT STRIPING/HIGHWAY MARKING: HIGHWAY

IMPROVEMENT: GROUP 3 PROTECTIVE COATING, PAVEMENT SEALING.....	\$ 35.11	17.62
PARKING LOT STRIPING/HIGHWAY MARKING: HIGHWAY IMPROVEMENT: GROUP 1 STRIPER: LAYOUT AND APPLICATION OF PAINTED TRAFFIC STRIPES AND MARKING; HOT THERMO PLASTIC; TAPE, TRAFFIC STRIPES AND MARKINGS.....	\$ 40.83	17.62
PARKING LOT STRIPING/HIGHWAY MARKING: HIGHWAY IMPROVEMENT: GROUP 2 GAMECOURT & PLAYGROUND INSTALLER.....	\$ 34.71	17.62

 PAIN1237-002 01/01/2024

	Rates	Fringes
SOFT FLOOR LAYER (EL DORADO, PLACER, SACRAMENTO, SUTTER, YOLO AND YUBA COUNTIES).....	\$ 48.54	26.59

 PLAS0066-001 07/01/2019

	Rates	Fringes
PLASTERER (ALAMEDA, CONTRA COSTA, SAN FRANCISCO AND SAN MATEO COUNTIES).....	\$ 42.41	30.73

 PLAS0300-002 07/01/2018

	Rates	Fringes
PLASTERER (AREA 355: MARIN COUNTY).....	\$ 36.73	31.68
PLASTERER (AREA 337: MONTEREY COUNTY).....	\$ 32.88	31.68
PLASTERER (AREA 295: EL DORADO, NAPA, PLACER, SACRAMENTO, SOLANO, SONOMA, SUTTER, YOLO & YUBA COUNTIES).....	\$ 32.70	31.68
PLASTERER (AREA 224: SAN BENITO, SANTA CLARA & SANTA CRUZ COUNTIES).....	\$ 32.88	31.68

 PLAS0300-005 07/01/2016

	Rates	Fringes
CEMENT MASON/CONCRETE FINISHER.....	\$ 32.15	23.27

 PLUM0038-003 07/01/2025

	Rates	Fringes
PLUMBER, STEAMFITTER, REFRIGERATION FITTER: (2) NEW CONSTRUCTION IN SAN FRANCISCO COUNTY (MARIN, SAN FRANCISCO & SONOMA COUNTIES).....	\$ 91.00	49.49
PLUMBER, STEAMFITTER, REFRIGERATION FITTER: (1) Wood Frame Construction in San Francisco, and all work in Marin & Sonoma Counties (MARIN, SAN FRANCISCO & SONOMA COUNTIES).....	\$ 82.00	48.18

 PLUM0038-007 07/01/2025

	Rates	Fringes
LANDSCAPE/IRRIGATION FITTER: UNDERGROUND/UTILITY FITTER (MARIN, SAN FRANCISCO & SONOMA COUNTIES).....	\$ 77.35	36.53

 PLUM0062-001 01/01/2026

	Rates	Fringes
PLUMBER & STEAMFITTER (MONTEREY AND SANTA CRUZ COUNTIES).....	\$ 57.75	43.60

 PLUM0159-002 07/01/2024

	Rates	Fringes
--	-------	---------

PLUMBER, PIPEFITTER, STEAMFITTER (CONTRA COSTA COUNTY).....	\$ 43.72	20.29

PLUM0228-002 01/01/2026		
	Rates	Fringes
PLUMBER (SUTTER & YUBA COUNTIES).....	\$ 52.75	41.39

PLUM0342-002 07/01/2025		
	Rates	Fringes
PLUMBER & STEAMFITTER (ALAMEDA COUNTY).....	\$ 80.50	50.45

PLUM0343-002 01/01/2026		
	Rates	Fringes
PLUMBERS AND PIPEFITTERS (NAPA AND SOLANO COUNTIES) FOOTNOTES: WORK FROM TRUSSES, TEMPORARY STAGING, UNGUARDED STRUCTURES 35' FROM THE GROUND OR WATER: \$.75 PER HOUR ADDITIONAL. WORK FROM SWINGING SCAFFOLDS, BOATSWAINS CHAIRS OR SIMILAR DEVICES: \$.75 PER HOUR ADDITIONAL.....	\$ 37.35	21.15

PLUM0350-002 08/01/2023		
	Rates	Fringes
PLUMBERS AND PIPEFITTERS (EL DORADO AND PLACER COUNTIES (LAKE TAHOE BASIN ONLY)).....	\$ 52.14	18.71

PLUM0355-002 07/01/2025		
	Rates	Fringes
UNDERGROUND UTILITY WORKER: /LANDSCAPE FITTER (ALAMEDA, CONTRA COSTA, EL DORADO, MONTEREY, NAPA, PLACER, SACRAMENTO, SAN BENITO, SAN MATEO, SANTA CLARA, SANTA CRUZ, SOLANO, SUTTER, YOLO AND YUBA COUNTIES).....	\$ 36.01	18.50

PLUM0393-002 09/01/2013		
	Rates	Fringes
PLUMBERS AND PIPEFITTERS (SAN BENITO & SANTA CLARA COUNTIES).....	\$ 30.90	7.90

PLUM0447-003 07/01/2025		
	Rates	Fringes
PLUMBERS AND PIPEFITTERS (EL DORADO, PLACER, SACRAMENTO AND YOLO COUNTIES).....	\$ 55.58	24.02

PLUM0467-001 07/01/2025		
	Rates	Fringes
PLUMBER/PIPEFITTER/STEAMFITTER (SAN MATEO COUNTY)...	\$ 87.75	41.44

ROOF0040-001 08/01/2024		
	Rates	Fringes
ROOFER (SAN FRANCISCO & SAN MATEO COUNTIES).....	\$ 55.30	22.97

ROOF0081-003 08/01/2024		
	Rates	Fringes
ROOFER (ALAMEDA, CONTRA COSTA, MARIN, NAPA, SOLANO, AND SONOMA COUNTIES).....	\$ 54.94	23.34

ROOF0081-005 08/01/2023

	Rates	Fringes
ROOFER (EL DORADO, PLACER, SACRAMENTO, SUTTER, YOLO AND YUBA COUNTIES).....	\$ 46.73	21.36

ROOF0095-001 08/01/2023

	Rates	Fringes
ROOFER: KETTLE PERSON (2 KETTLES) (MONTEREY, SAN BENITO, SANTA CLARA, AND SANTA CRUZ COUNTIES).....	\$ 55.17	21.51
ROOFER: JOURNEYMAN (MONTEREY, SAN BENITO, SANTA CLARA, AND SANTA CRUZ COUNTIES).....	\$ 53.17	21.51
ROOFER: BITUMASTIC, ENAMELER, COAL TAR, PITCH AND MASTIC WORKER (MONTEREY, SAN BENITO, SANTA CLARA, AND SANTA CRUZ COUNTIES).....	\$ 57.17	21.51

SFCA0483-002 01/01/2026

	Rates	Fringes
SPRINKLER FITTER (ALAMEDA, CONTRA COSTA, MARIN, NAPA, SAN FRANCISCO, SAN MATEO, SANTA CLARA, SOLANO AND SONOMA COUNTIES:).....	\$ 49.82	18.05

SFCA0669-006 01/01/2026

	Rates	Fringes
SPRINKLER FITTER (MONTEREY, SAN BENITO AND SANTA CRUZ COUNTIES).....	\$ 49.69	29.72

SFCA0669-012 01/01/2026

	Rates	Fringes
SPRINKLER FITTER (EL DORADO, PLACER, SACRAMENTO, SUTTER, YOLO AND YUBA COUNTIES).....	\$ 52.06	29.86

SHEE0104-002 07/01/2025

	Rates	Fringes
SHEET METAL WORKER: (AREA 2) AREA 2: MONTEREY & SAN BENITO.....	\$ 60.64	39.04
SHEET METAL WORKER: (AREA 3) AREA 3: SANTA CRUZ.....	\$ 55.16	34.18
SHEET METAL WORKER: (AREA 1) AREA 1: ALAMEDA, CONTRA COSTA, MARIN, NAPA, SAN FRANCISCO, SAN MATEO, SANTA CLARA, SOLANO & SONOMA.....	\$ 67.03	50.79

SHEE0104-017 07/01/2020

	Rates	Fringes
SHEET METAL WORKER (EL DORADO, PLACER, SACRAMENTO, SUTTER, YOLO AND YUBA COUNTIES).....	\$ 30.29	16.41

TEAM0094-001 07/01/2025

	Rates	Fringes
TRUCK DRIVERS: GROUP 5: DUMP TRUCKS, 65 YDS. AND OVER; HOLLAND HAULER; LOW BED HEAVY DUTY TRANSPORT OVER 7 AXLES FOOTNOTES: ARTICULATED DUMP TRUCK; BULK CEMENT SPREADER (WITH OR WITHOUT AUGER); DUMPCRETE TRUCK; SKID TRUCK (DEBRIS BOX); DRY PRE-BATCH CONCRETE MIX TRUCKS; DUMPSTER OR SIMILAR TYPE; SLURRY TRUCK: USE DUMP TRUCK YARDAGE RATE. HEATER PLANER; ASPHALT BURNER; SCARIFIER BURNER; INDUSTRIAL LIFT TRUCK (MECHANICAL		

TAILGATE); UTILITY AND CLEAN-UP TRUCK: USE APPROPRIATE RATE FOR THE POWER UNIT OR THE EQUIPMENT UTILIZED.\$ 44.56 34.28

TRUCK DRIVERS: GROUP 4: DUMP TRUCKS, OVER 25 YDS. AND UNDER 65 YDS.; WATER PULLS - DW 10'S, 20'S, 21'S AND OTHER SIMILAR EQUIPMENT WHEN PULLING AQUA/PAK OR WATER TANK TRAILERS; HELICOPTER PILOTS (WHEN TRANSPORTING MEN AND MATERIALS); LOWBEDK HEAVY DUTY TRANSPORT UP TO INCLUDING 7 AXLES; DW10'S, 20'S, 21'S AND OTHER SIMILAR CAT TYPE, TERRA COBRA, LETOURNEAU PULLS, TOURNOROCKER, EUCLID AND SIMILAR TYPE EQUIPMENT WHEN PULLING FUEL AND/OR GREASE TANK TRAILERS OR OTHER MISCELLANEOUS TRAILERS; VACUUM TRUCKS 7500 GALS AND OVER AND TRUCK REPAIRMAN FOOTNOTES: ARTICULATED DUMP TRUCK; BULK CEMENT SPREADER (WITH OR WITHOUT AUGER); DUMPCRETE TRUCK; SKID TRUCK (DEBRIS BOX); DRY PRE-BATCH CONCRETE MIX TRUCKS; DUMPSTER OR SIMILAR TYPE; SLURRY TRUCK: USE DUMP TRUCK YARDAGE RATE. HEATER PLANER; ASPHALT BURNER; SCARIFIER BURNER; INDUSTRIAL LIFT TRUCK (MECHANICAL TAILGATE); UTILITY AND CLEAN-UP TRUCK: USE APPROPRIATE RATE FOR THE POWER UNIT OR THE EQUIPMENT UTILIZED.\$ 44.21 34.28

TRUCK DRIVERS: GROUP 3: DUMP TRUCKS, 8 YDS. AND INCLUDING 24 YDS.; TRANSIT MIXERS, OVER 10 YDS.; WATER TRUCKS, 7,000 GALS. AND OVER; JETTING TRUCKS, 7,000 GALS. AND OVER; VACUUM TRUCKS UNDER 7500 GALS. TRUCKS TOWING TILT BED OR FLAT BED PULL TRAILERS; LOWBED HEAVY DUTY TRANSPORT; HEAVY DUTY TRANSPORT TILLER PERSON; SELF- PROPELLED STREET SWEEPER WITH SELF-CONTAINED REFUSE BIN; BOOM TRUCK - HYDRO-LIFT OR SWEDISH TYPE EXTENSION OR RETRACTING CRANE; P.B. OR SIMILAR TYPE SELF-LOADING TRUCK; TIRE REPAIRPERSON; COMBINATION BOOTPERSON AND ROAD OILER; DRY DISTRIBUTION TRUCK (A BOOTPERSON WHEN EMPLOYED ON SUCH EQUIPMENT, SHALL RECEIVE THE RATE SPECIFIED FOR THE CLASSIFICATION OF ROAD OIL TRUCKS OR BOOTPERSON); AMMONIA NITRATE DISTRIBUTOR, DRIVER AND MIXER; SNOW GO AND/OR PLOW FOOTNOTES: ARTICULATED DUMP TRUCK; BULK CEMENT SPREADER (WITH OR WITHOUT AUGER); DUMPCRETE TRUCK; SKID TRUCK (DEBRIS BOX); DRY PRE-BATCH CONCRETE MIX TRUCKS; DUMPSTER OR SIMILAR TYPE; SLURRY TRUCK: USE DUMP TRUCK YARDAGE RATE. HEATER PLANER; ASPHALT BURNER; SCARIFIER BURNER; INDUSTRIAL LIFT TRUCK (MECHANICAL TAILGATE); UTILITY AND CLEAN-UP TRUCK: USE APPROPRIATE RATE FOR THE POWER UNIT OR THE EQUIPMENT UTILIZED.\$ 43.86 34.28

TRUCK DRIVERS: GROUP 2: DUMP TRUCKS, 6 YDS. AND UNDER 8 YDS.; TRANSIT MIXERS, THROUGH 10 YDS.; WATER TRUCKS, UNDER 7,000 GALS.; JETTING TRUCKS, UNDER 7,000 GALS.; SINGLE-UNIT FLAT RACK (3-AXLE UNIT); HIGHBED HEAVY DUTY TRANSPORT; SCISSOR TRUCK; RUBBER-TIRED MUCK CAR (NOT SELF-LOADED); RUBBER-TIRED TRUCK JUMBO; WINCH TRUCK AND ""A"" FRAME DRIVERS; COMBINATION WINCH TRUCK WITH HOIST; ROAD OIL TRUCK OR BOOTPERSON; BUGGYMOBILE; ROSS, HYSTER AND SIMILAR STRADDLE CARRIERS; SMALL RUBBER-TIRED TRACTOR FOOTNOTES: ARTICULATED DUMP TRUCK; BULK CEMENT SPREADER (WITH OR WITHOUT AUGER); DUMPCRETE TRUCK; SKID TRUCK (DEBRIS BOX); DRY PRE-BATCH CONCRETE MIX TRUCKS; DUMPSTER OR SIMILAR TYPE; SLURRY TRUCK: USE DUMP TRUCK YARDAGE RATE. HEATER PLANER; ASPHALT BURNER; SCARIFIER BURNER;

INDUSTRIAL LIFT TRUCK (MECHANICAL TAILGATE);
 UTILITY AND CLEAN-UP TRUCK: USE APPROPRIATE RATE
 FOR THE POWER UNIT OR THE EQUIPMENT UTILIZED.\$ 43.56 34.28
 TRUCK DRIVERS: GROUP 1: DUMP TRUCKS, UNDER 6 YDS.;
 SINGLE UNIT FLAT RACK (2- AXLE UNIT); NIPPER TRUCK
 (WHEN FLAT RACK TRUCK IS USED APPROPRIATE FLAT RACK
 SHALL APPLY); CONCRETE PUMP TRUCK (WHEN FLAT RACK
 TRUCK IS USED APPROPRIATE FLAT RACK SHALL APPLY);
 CONCRETE PUMP MACHINE; FORK LIFT AND LIFT JITNEYS;
 FUEL AND/OR GREASE TRUCK DRIVER OR FUEL PERSON;
 SNOW BUGGY; STEAM CLEANING; BUS OR PERSONHAUL
 DRIVER; ESCORT OR PILOT CAR DRIVER; PICKUP TRUCK;
 TEAMSTER OILER/GREASER AND/OR SERVICEPERSON; HOOK
 TENDER (INCLUDING LOADING AND UNLOADING); TEAM
 DRIVER; TOOL ROOM ATTENDANT (REFINERIES)
 FOOTNOTES: ARTICULATED DUMP TRUCK; BULK CEMENT
 SPREADER (WITH OR WITHOUT AUGER); DUMPCRETE TRUCK;
 SKID TRUCK (DEBRIS BOX); DRY PRE-BATCH CONCRETE MIX
 TRUCKS; DUMPSTER OR SIMILAR TYPE; SLURRY TRUCK: USE
 DUMP TRUCK YARDAGE RATE. HEATER PLANER;
 ASPHALT BURNER; SCARIFIER BURNER; INDUSTRIAL LIFT
 TRUCK (MECHANICAL TAILGATE); UTILITY AND CLEAN-UP
 TRUCK: USE APPROPRIATE RATE FOR THE POWER UNIT OR
 THE EQUIPMENT UTILIZED.\$ 43.26 34.28

 WELDERS - Receive rate prescribed for craft performing
 operation to which welding is incidental.

=====
 Note: Executive Order (EO) 13706, Establishing Paid Sick Leave
 for Federal Contractors applies to all contracts subject to the
 Davis-Bacon Act for which the contract is awarded (and any
 solicitation was issued) on or after January 1, 2017. If this
 contract is covered by the EO, the contractor must provide
 employees with 1 hour of paid sick leave for every 30 hours
 they work, up to 56 hours of paid sick leave each year.
 Employees must be permitted to use paid sick leave for their
 own illness, injury or other health-related needs, including
 preventive care; to assist a family member (or person who is
 like family to the employee) who is ill, injured, or has other
 health-related needs, including preventive care; or for reasons
 resulting from, or to assist a family member (or person who is
 like family to the employee) who is a victim of, domestic
 violence, sexual assault, or stalking. Additional information
 on contractor requirements and worker protections under the EO
 is available at
<https://www.dol.gov/agencies/whd/government-contracts>.

Note: Executive Order 13658 generally applies to contracts subject
 to the Davis-Bacon Act that were awarded on or between January 1,
 2015 and January 29, 2022, and that have not been renewed or
 extended on or after January 30, 2022. Executive Order 13658 does
 not apply to contracts subject only to the Davis-Bacon Related Acts
 regardless of when they were awarded. If a contract is subject to
 Executive Order 13658, the contractor must pay all covered workers
 at least \$13.65 per hour (or the applicable wage rate listed on this
 wage determination, if it is higher) for all hours spent performing on
 the contract from May 11, 2026, through December 31, 2026. The
 applicable Executive Order minimum wage rate will be adjusted annually.
 Additional information on contractor requirements and worker
 protections under Executive Order 13658 is available at
www.dol.gov/whd/govcontracts.

Unlisted classifications needed for work not included within

the scope of the classifications listed may be added after award only as provided in the labor standards contract clauses (29CFR 5.5 (a) (1) (iii)).

The body of each wage determination lists the classifications and wage rates that have been found to be prevailing for the type(s) of construction and geographic area covered by the wage determination. The classifications are listed in alphabetical order under rate identifiers indicating whether the particular rate is a union rate (current union negotiated rate), a survey rate, a weighted union average rate, a state adopted rate, or a supplemental classification rate.

Union Rate Identifiers

A four-letter identifier beginning with characters other than **SU**, **UAVG**, **SA**, or **SC** denotes that a union rate was prevailing for that classification in the survey. Example: PLUM0198-005 07/01/2024. PLUM is an identifier of the union whose collectively bargained rate prevailed in the survey for this classification, which in this example would be Plumbers. 0198 indicates the local union number or district council number where applicable, i.e., Plumbers Local 0198. The next number, 005 in the example, is an internal number used in processing the wage determination. The date, 07/01/2024 in the example, is the effective date of the most current negotiated rate.

Union prevailing wage rates are updated to reflect all changes over time that are reported to WHD in the rates in the collective bargaining agreement (CBA) governing the classification.

Union Average Rate Identifiers

The UAVG identifier indicates that no single rate prevailed for those classifications, but that 100% of the data reported for the classifications reflected union rates. EXAMPLE: UAVG-OH-0010 01/01/2024. UAVG indicates that the rate is a weighted union average rate. OH indicates the State of Ohio. The next number, 0010 in the example, is an internal number used in producing the wage determination. The date, 01/01/2024 in the example, indicates the date the wage determination was updated to reflect the most current union average rate.

A UAVG rate will be updated once a year, usually in January, to reflect a weighted average of the current rates in the collective bargaining agreements on which the rate is based.

Survey Rate Identifiers

The **SU** identifier indicates that either a single non-union rate prevailed (as defined in 29 CFR 1.2) for this classification in the survey or that the rate was derived by computing a weighted average rate based on all the rates reported in the survey for that classification. As a weighted average rate includes all rates reported in the survey, it may include both union and non-union rates. Example: SUFL2022-007 6/27/2024. SU indicates the rate is a single non-union prevailing rate or a weighted average of survey data for that classification. FL indicates the State of Florida. 2022 is the year of the survey on which these classifications and rates are based. The next number, 007 in the example, is an internal number used in producing the wage determination. The date, 6/27/2024 in the example, indicates the survey completion date

for the classifications and rates under that identifier.

◆SU◆ wage rates typically remain in effect until a new survey is conducted. However, the Wage and Hour Division (WHD) has the discretion to update such rates under 29 CFR 1.6(c)(1).

State Adopted Rate Identifiers

The ◆SA◆ identifier indicates that the classifications and prevailing wage rates set by a state (or local) government were adopted under 29 C.F.R 1.3(g)-(h). Example: SAME2023-007 01/03/2024. SA reflects that the rates are state adopted. ME refers to the State of Maine. 2023 is the year during which the state completed the survey on which the listed classifications and rates are based. The next number, 007 in the example, is an internal number used in producing the wage determination. The date, 01/03/2024 in the example, reflects the date on which the classifications and rates under the ◆SA◆ identifier took effect under state law in the state from which the rates were adopted.

WAGE DETERMINATION APPEALS PROCESS

1) Has there been an initial decision in the matter? This can be:

- a) a survey underlying a wage determination
- b) an existing published wage determination
- c) an initial WHD letter setting forth a position on a wage determination matter
- d) an initial conformance (additional classification and rate) determination

On survey related matters, initial contact, including requests for summaries of surveys, should be directed to the WHD Branch of Wage Surveys. Requests can be submitted via email to davisbaconinfo@dol.gov or by mail to:

Branch of Wage Surveys
 Wage and Hour Division
 U.S. Department of Labor
 200 Constitution Avenue, N.W.
 Washington, DC 20210

Regarding any other wage determination matter such as conformance decisions, requests for initial decisions should be directed to the WHD Branch of Construction Wage Determinations. Requests can be submitted via email to BCWD-Office@dol.gov or by mail to:

Branch of Construction Wage Determinations
 Wage and Hour Division
 U.S. Department of Labor
 200 Constitution Avenue, N.W.
 Washington, DC 20210

2) If an initial decision has been issued, then any interested party (those affected by the action) that disagrees with the decision can request review and reconsideration from the Wage and Hour Administrator (See 29 CFR Part 1.8 and 29 CFR Part 7). Requests for review and reconsideration can be submitted via email to dba.reconsideration@dol.gov or by mail to:

Wage and Hour Administrator
 U.S. Department of Labor
 200 Constitution Avenue, N.W.
 Washington, DC 20210

The request should be accompanied by a full statement of the interested party's position and any information (wage payment data, project description, area practice material, etc.) that the requestor considers relevant to the issue.

3) If the decision of the Administrator is not favorable, an

interested party may appeal directly to the Administrative Review Board (formerly the Wage Appeals Board). Write to:
Administrative Review Board
U.S. Department of Labor
200 Constitution Avenue, N.W.
Washington, DC 20210.

=====
END OF GENERAL DECISION

"

"General Decision Number: CA20260007 05/18/2026

State: California

Construction Types: Building, Heavy and Highway

Counties: California Counties of
 Alpine, Amador, Butte, Colusa, El
 Dorado, Glenn, Lassen, Marin, Modoc,
 Napa, Nevada, Placer, Plumas,
 Sacramento, Shasta, Sierra, Siskiyou,
 Solano, Sonoma, Sutter, Tehama, Trinity,
 Yolo and Yuba

Building Construction Projects (excluding Amador County only)
 Dredging Projects-Includes Dredging Projects (does not include hopper dredge work)
 Heavy Construction Projects (excludes water well drilling)
 Highway Construction Projects

Modification Number	Publication Date
3	01/23/2026
4	05/18/2026

ASBE0016-001 01/01/2024

	Rates	Fringes
ASBESTOS WORKERS/INSULATOR: INCLUDES THE APPLICATION OF ALL INSULATING MATERIALS, PROTECTIVE COVERINGS, COATINGS, AND FINISHES TO ALL TYPES OF MECHANICAL SYSTEMS (AREA 2).....	\$ 64.56	25.07
ASBESTOS WORKERS/INSULATOR: INCLUDES THE APPLICATION OF ALL INSULATING MATERIALS, PROTECTIVE COVERINGS, COATINGS, AND FINISHES TO ALL TYPES OF MECHANICAL SYSTEMS (AREA 1).....	\$ 84.76	25.07

ASBE0016-007 05/01/2025

	Rates	Fringes
ASBESTOS REMOVAL WORKER/HAZARDOUS MATERIAL HANDLER: INCLUDES PREPARATION, WETTING, STRIPPING, REMOVAL, SCRAPPING, VACUUMING, BAGGING AND DISPOSING OF ALL INSULATION MATERIALS FROM MECHANICAL SYSTEMS, WHETHER THEY CONTAIN ASBESTOS OR NOT (AREA 2).....	\$ 44.73	12.75
ASBESTOS REMOVAL WORKER/HAZARDOUS MATERIAL HANDLER: INCLUDES PREPARATION, WETTING, STRIPPING, REMOVAL, SCRAPPING, VACUUMING, BAGGING AND DISPOSING OF ALL INSULATION MATERIALS FROM MECHANICAL SYSTEMS, WHETHER THEY CONTAIN ASBESTOS OR NOT (AREA 1).....	\$ 35.31	12.75

BOIL0549-002 01/01/2021

	Rates	Fringes
BOILERMAKER: (2) REMAINING COUNTIES.....	\$ 45.60	38.99
BOILERMAKER: (1) MARIN & SOLANO COUNTIES.....	\$ 49.62	41.27

BRCA0003-001 08/01/2024

	Rates	Fringes
MARBLE FINISHER.....	\$ 42.06	19.80

BRCA0003-004 05/01/2024

	Rates	Fringes
BRICKLAYER (AREA 2).....	\$ 57.02	28.50
BRICKLAYER (AREA 1).....	\$ 52.76	25.01

BRCA0003-008 07/01/2024

	Rates	Fringes
TERRAZZO WORKER/SETTER.....	\$ 60.58	29.79
TERRAZZO FINISHER.....	\$ 44.93	20.98

BRCA0003-010 04/01/2024

	Rates	Fringes
TILE LAYER AREA 4: SONOMA.....	\$ 56.79	22.54
TILE LAYER AREA 3: MARIN, NAPA, SOLANO, SISKIYOU..	\$ 59.92	22.62
TILE LAYER AREA 2: ALPINE, AMADOR.....	\$ 55.17	22.52
TILE LAYER AREA 1: BUTTE, COLUSA, EL DORADO, GLENN, LASSEN, MODOC, NEVADA, PLACER, PLUMAS, SACRAMENTO, SHASTA, SIERRA, SUTTER, TEHEMA, YOLO, YUBA.....	\$ 55.55	21.08
TILE FINISHER AREA 2: ALPINE, AMADOR.....	\$ 34.76	19.22
TILE FINISHER AREA 4: SONOMA.....	\$ 35.78	19.23
TILE FINISHER AREA 3: MARIN, NAPA, SOLANO, SISKIYOU.....	\$ 37.75	19.28
TILE FINISHER AREA 1: BUTTE, COLUSA, EL DORADO, GLENN, LASSEN, MODOC, NEVADA, PLACER, PLUMAS, SACRAMENTO, SHASTA, SIERRA, SUTTER, TEHEMA, YOLO, YUBA.....	\$ 35.00	17.44

BRCA0003-014 08/01/2024

	Rates	Fringes
MARBLE MASON.....	\$ 61.72	30.31

CARP0034-001 07/01/2021

	Rates	Fringes
DIVER: MANIFOLD OPERATOR (STANDBY) DEPTH PAY (SURFACE DIVING): 050 TO 100 FT \$2.00 PER FOOT 101 TO 150 FT \$3.00 PER FOOT 151 TO 220 FT \$4.00 PER FOOT 221 FT.-DEEPER \$5.00 PER FOOT SATURATION DIVING: THE STANDBY RATE SHALL APPLY UNTIL SATURATION STARTS. THE SATURATION DIVING RATE APPLIES WHEN DIVERS ARE UNDER PRESSURE CONTINUOUSLY UNTIL WORK TASK AND DECOMPRESSION ARE COMPLETE. THE DIVER RATE SHALL BE PAID FOR ALL SATURATION HOURS. DIVING IN ENCLOSURES: WHERE IT IS NECESSARY FOR DIVERS TO ENTER PIPES OR TUNNELS, OR OTHER ENCLOSURES WHERE THERE IS NO VERTICAL ASCENT, THE FOLLOWING PREMIUM SHALL BE PAID: DISTANCE TRAVELED FROM ENTRANCE 26 FEET TO 300 FEET: \$1.00 PER FOOT. WHEN IT IS NECESSARY FOR A DIVER TO ENTER ANY PIPE, TUNNEL OR OTHER ENCLOSURE LESS THAN 48" IN HEIGHT, THE PREMIUM WILL BE \$1.00 PER FOOT. WORK IN COMBINATION OF CLASSIFICATIONS: EMPLOYEES WORKING IN ANY COMBINATION OF CLASSIFICATIONS WITHIN THE DIVING CREW (EXCEPT DIVE SUPERVISOR) IN A SHIFT ARE PAID IN THE CLASSIFICATION WITH THE HIGHEST RATE FOR THAT SHIFT.....	\$ 59.51	34.69

DIVER: MANIFOLD OPERATOR (MIXED GAS) DEPTH PAY
 (SURFACE DIVING): 050 TO 100 FT \$2.00 PER
 FOOT 101 TO 150 FT \$3.00 PER FOOT 151 TO
 220 FT \$4.00 PER FOOT 221 FT.-DEEPER \$5.00
 PER FOOT SATURATION DIVING: THE STANDBY RATE
 SHALL APPLY UNTIL SATURATION STARTS. THE
 SATURATION DIVING RATE APPLIES WHEN DIVERS ARE
 UNDER PRESSURE CONTINUOUSLY UNTIL WORK TASK AND
 DECOMPRESSION ARE COMPLETE. THE DIVER RATE SHALL BE
 PAID FOR ALL SATURATION HOURS. DIVING IN
 ENCLOSURES: WHERE IT IS NECESSARY FOR DIVERS TO
 ENTER PIPES OR TUNNELS, OR OTHER ENCLOSURES WHERE
 THERE IS NO VERTICAL ASCENT, THE FOLLOWING PREMIUM
 SHALL BE PAID: DISTANCE TRAVELED FROM ENTRANCE 26
 FEET TO 300 FEET: \$1.00 PER FOOT. WHEN IT IS
 NECESSARY FOR A DIVER TO ENTER ANY PIPE, TUNNEL OR
 OTHER ENCLOSURE LESS THAN 48" IN HEIGHT, THE
 PREMIUM WILL BE \$1.00 PER FOOT. WORK IN
 COMBINATION OF CLASSIFICATIONS: EMPLOYEES WORKING
 IN ANY COMBINATION OF CLASSIFICATIONS WITHIN THE
 DIVING CREW (EXCEPT DIVE SUPERVISOR) IN A SHIFT ARE
 PAID IN THE CLASSIFICATION WITH THE HIGHEST RATE
 FOR THAT SHIFT.....\$ 64.51

34.69

DIVER: DIVER WET DEPTH PAY (SURFACE DIVING):
 050 TO 100 FT \$2.00 PER FOOT 101 TO 150 FT
 \$3.00 PER FOOT 151 TO 220 FT \$4.00 PER FOOT
 221 FT.-DEEPER \$5.00 PER FOOT SATURATION
 DIVING: THE STANDBY RATE SHALL APPLY UNTIL
 SATURATION STARTS. THE SATURATION DIVING RATE
 APPLIES WHEN DIVERS ARE UNDER PRESSURE CONTINUOUSLY
 UNTIL WORK TASK AND DECOMPRESSION ARE COMPLETE. THE
 DIVER RATE SHALL BE PAID FOR ALL SATURATION HOURS.
 DIVING IN ENCLOSURES: WHERE IT IS NECESSARY FOR
 DIVERS TO ENTER PIPES OR TUNNELS, OR OTHER
 ENCLOSURES WHERE THERE IS NO VERTICAL ASCENT, THE
 FOLLOWING PREMIUM SHALL BE PAID: DISTANCE TRAVELED
 FROM ENTRANCE 26 FEET TO 300 FEET: \$1.00 PER FOOT.
 WHEN IT IS NECESSARY FOR A DIVER TO ENTER ANY
 PIPE, TUNNEL OR OTHER ENCLOSURE LESS THAN 48" IN
 HEIGHT, THE PREMIUM WILL BE \$1.00 PER FOOT. WORK
 IN COMBINATION OF CLASSIFICATIONS: EMPLOYEES
 WORKING IN ANY COMBINATION OF CLASSIFICATIONS
 WITHIN THE DIVING CREW (EXCEPT DIVE SUPERVISOR) IN
 A SHIFT ARE PAID IN THE CLASSIFICATION WITH THE
 HIGHEST RATE FOR THAT SHIFT.....\$ 103.62

34.69

DIVER: DIVER TENDER DEPTH PAY (SURFACE DIVING):
 050 TO 100 FT \$2.00 PER FOOT 101 TO 150 FT
 \$3.00 PER FOOT 151 TO 220 FT \$4.00 PER
 FOOT 221 FT.-DEEPER \$5.00 PER FOOT SATURATION
 DIVING: THE STANDBY RATE SHALL APPLY UNTIL
 SATURATION STARTS. THE SATURATION DIVING RATE
 APPLIES WHEN DIVERS ARE UNDER PRESSURE CONTINUOUSLY
 UNTIL WORK TASK AND DECOMPRESSION ARE COMPLETE. THE
 DIVER RATE SHALL BE PAID FOR ALL SATURATION HOURS.
 DIVING IN ENCLOSURES: WHERE IT IS NECESSARY FOR
 DIVERS TO ENTER PIPES OR TUNNELS, OR OTHER
 ENCLOSURES WHERE THERE IS NO VERTICAL ASCENT, THE
 FOLLOWING PREMIUM SHALL BE PAID: DISTANCE TRAVELED
 FROM ENTRANCE 26 FEET TO 300 FEET: \$1.00 PER FOOT.
 WHEN IT IS NECESSARY FOR A DIVER TO ENTER ANY
 PIPE, TUNNEL OR OTHER ENCLOSURE LESS THAN 48" IN
 HEIGHT, THE PREMIUM WILL BE \$1.00 PER FOOT. WORK
 IN COMBINATION OF CLASSIFICATIONS: EMPLOYEES
 WORKING IN ANY COMBINATION OF CLASSIFICATIONS
 WITHIN THE DIVING CREW (EXCEPT DIVE SUPERVISOR) IN

A SHIFT ARE PAID IN THE CLASSIFICATION WITH THE HIGHEST RATE FOR THAT SHIFT.....\$ 59.51 34.69
 DIVER: DIVER STANDBY DEPTH PAY (SURFACE DIVING):
 050 TO 100 FT \$2.00 PER FOOT 101 TO 150 FT \$3.00 PER FOOT 151 TO 220 FT \$4.00 PER FOOT 221 FT.-DEEPER \$5.00 PER FOOT SATURATION DIVING: THE STANDBY RATE SHALL APPLY UNTIL SATURATION STARTS. THE SATURATION DIVING RATE APPLIES WHEN DIVERS ARE UNDER PRESSURE CONTINUOUSLY UNTIL WORK TASK AND DECOMPRESSION ARE COMPLETE. THE DIVER RATE SHALL BE PAID FOR ALL SATURATION HOURS.
 DIVING IN ENCLOSURES: WHERE IT IS NECESSARY FOR DIVERS TO ENTER PIPES OR TUNNELS, OR OTHER ENCLOSURES WHERE THERE IS NO VERTICAL ASCENT, THE FOLLOWING PREMIUM SHALL BE PAID: DISTANCE TRAVELED FROM ENTRANCE 26 FEET TO 300 FEET: \$1.00 PER FOOT.
 WHEN IT IS NECESSARY FOR A DIVER TO ENTER ANY PIPE, TUNNEL OR OTHER ENCLOSURE LESS THAN 48" IN HEIGHT, THE PREMIUM WILL BE \$1.00 PER FOOT. WORK IN COMBINATION OF CLASSIFICATIONS: EMPLOYEES WORKING IN ANY COMBINATION OF CLASSIFICATIONS WITHIN THE DIVING CREW (EXCEPT DIVE SUPERVISOR) IN A SHIFT ARE PAID IN THE CLASSIFICATION WITH THE HIGHEST RATE FOR THAT SHIFT.....\$ 60.51 34.69
 DIVER: ASSISTANT TENDER, ROV TENDER/TECHNICIAN DEPTH PAY (SURFACE DIVING): 050 TO 100 FT \$2.00 PER FOOT 101 TO 150 FT \$3.00 PER FOOT 151 TO 220 FT \$4.00 PER FOOT 221 FT.-DEEPER \$5.00 PER FOOT SATURATION DIVING: THE STANDBY RATE SHALL APPLY UNTIL SATURATION STARTS. THE SATURATION DIVING RATE APPLIES WHEN DIVERS ARE UNDER PRESSURE CONTINUOUSLY UNTIL WORK TASK AND DECOMPRESSION ARE COMPLETE. THE DIVER RATE SHALL BE PAID FOR ALL SATURATION HOURS. DIVING IN ENCLOSURES: WHERE IT IS NECESSARY FOR DIVERS TO ENTER PIPES OR TUNNELS, OR OTHER ENCLOSURES WHERE THERE IS NO VERTICAL ASCENT, THE FOLLOWING PREMIUM SHALL BE PAID: DISTANCE TRAVELED FROM ENTRANCE 26 FEET TO 300 FEET: \$1.00 PER FOOT. WHEN IT IS NECESSARY FOR A DIVER TO ENTER ANY PIPE, TUNNEL OR OTHER ENCLOSURE LESS THAN 48" IN HEIGHT, THE PREMIUM WILL BE \$1.00 PER FOOT. WORK IN COMBINATION OF CLASSIFICATIONS: EMPLOYEES WORKING IN ANY COMBINATION OF CLASSIFICATIONS WITHIN THE DIVING CREW (EXCEPT DIVE SUPERVISOR) IN A SHIFT ARE PAID IN THE CLASSIFICATION WITH THE HIGHEST RATE FOR THAT SHIFT.....\$ 54.10 34.69

 CARP0034-003 07/01/2021 Rates Fringes
 PILEDRIVER.....\$ 54.10 34.69

CARP0035-001 08/01/2020 Rates Fringes
 DRYWALL STOCKER/SCRAPPER: (AREA 4).....\$ 22.97 18.22
 DRYWALL STOCKER/SCRAPPER: (AREA 3).....\$ 23.64 18.22
 DRYWALL STOCKER/SCRAPPER: (AREA 1).....\$ 26.33 18.22
 DRYWALL INSTALLERS/LATHERS:: (AREA 4).....\$ 45.92 31.26
 DRYWALL INSTALLERS/LATHERS:: (AREA 3).....\$ 47.27 31.26
 DRYWALL INSTALLERS/LATHERS:: (AREA 1).....\$ 52.65 31.26

CARP0035-009 07/01/2020

	Rates	Fringes
CARPENTER: MILLWRIGHT MARIN COUNTY.....	\$ 52.75	32.41
CARPENTER: JOURNEYMAN CARPENTER MARIN COUNTY.....	\$ 52.65	30.82
CARPENTER: HARDWOOD FLOORLAYER, SHINGLER, POWER SAW OPERATOR, STEEL SCAFFOLD & STEEL SHORING ERECTOR, SAW FILER MARIN COUNTY.....	\$ 52.80	30.82
CARPENTER: BRIDGE BUILDER/HIGHWAY CARPENTER MARIN COUNTY.....	\$ 52.65	30.82

 CARP0035-010 07/01/2020

	Rates	Fringes
MASTER INSTALLER (MODULAR FURNITURE INSTALLER) AREA 3.....	\$ 31.38	23.03
MASTER INSTALLER (MODULAR FURNITURE INSTALLER) AREA 2.....	\$ 32.71	23.03
MASTER INSTALLER (MODULAR FURNITURE INSTALLER) AREA 1.....	\$ 36.43	23.03
LEAD INSTALLER (MODULAR FURNITURE INSTALLER) AREA 3..\$	27.96	23.03
LEAD INSTALLER (MODULAR FURNITURE INSTALLER) AREA 2..\$	29.08	23.03
LEAD INSTALLER (MODULAR FURNITURE INSTALLER) AREA 1..\$	32.21	23.03
INSTALLER (MODULAR FURNITURE INSTALLER) AREA 3.....\$	25.16	22.53
INSTALLER (MODULAR FURNITURE INSTALLER) AREA 2.....\$	26.11	22.53
INSTALLER (MODULAR FURNITURE INSTALLER) AREA 1.....\$	28.76	22.53

 CARP0046-001 07/01/2023

	Rates	Fringes
CARPENTERS: MILLWRIGHT EL DORADO (WEST), PLACER (WEST), SACRAMENTO AND YOLO COUNTIES FOOTNOTE: PLACER COUNTY (WEST) INCLUDES TERRITORY WEST OF AND INCLUDING HIGHWAY 49 AND EL DORADO COUNTY (WEST) INCLUDES TERRITORY WEST OF AND INCLUDING HIGHWAY 49 AND TERRITORY INSIDE THE CITY LIMITS OF PLACERVILLE.....	\$ 57.01	35.11
CARPENTERS: JOURNEYMAN CARPENTER EL DORADO (WEST), PLACER (WEST), SACRAMENTO AND YOLO COUNTIES FOOTNOTE: PLACER COUNTY (WEST) INCLUDES TERRITORY WEST OF AND INCLUDING HIGHWAY 49 AND EL DORADO COUNTY (WEST) INCLUDES TERRITORY WEST OF AND INCLUDING HIGHWAY 49 AND TERRITORY INSIDE THE CITY LIMITS OF PLACERVILLE.....	\$ 54.51	33.52
CARPENTERS: HARDWOOD FLOORLAYER, SHINGLER, POWER SAW OPERATOR, STEEL SCAFFOLD & STEEL SHORING ERECTOR, SAW FILER EL DORADO (WEST), PLACER (WEST), SACRAMENTO AND YOLO COUNTIES FOOTNOTE: PLACER COUNTY (WEST) INCLUDES TERRITORY WEST OF AND INCLUDING HIGHWAY 49 AND EL DORADO COUNTY (WEST) INCLUDES TERRITORY WEST OF AND INCLUDING HIGHWAY 49 AND TERRITORY INSIDE THE CITY LIMITS OF PLACERVILLE.....	\$ 54.66	33.52
CARPENTERS: BRIDGE BUILDER/HIGHWAY CARPENTER EL DORADO (WEST), PLACER (WEST), SACRAMENTO AND YOLO COUNTIES FOOTNOTE: PLACER COUNTY (WEST) INCLUDES TERRITORY WEST OF AND INCLUDING HIGHWAY 49 AND EL DORADO COUNTY (WEST) INCLUDES TERRITORY WEST OF AND INCLUDING HIGHWAY 49 AND TERRITORY INSIDE THE CITY LIMITS OF PLACERVILLE.....	\$ 60.39	33.52

 CARP0046-002 07/01/2023

	Rates	Fringes
CARPENTERS: MILLWRIGHT ALPINE, COLUSA, EL DORADO (EAST), NEVADA, PLACER (EAST), SIERRA, SUTTER AND YUBA COUNTIES.....	\$ 55.66	35.11

CARPENTERS: JOURNEYMAN CARPENTER ALPINE, COLUSA, EL DORADO (EAST), NEVADA, PLACER (EAST), SIERRA, SUTTER AND YUBA COUNTIES.....	\$ 53.16	33.52
CARPENTERS: HARDWOOD FLOORLAYER, SHINGLER, POWER SAW OPERATOR, STEEL SCAFFOLD & STEEL SHORING ERECTOR, SAW FILER ALPINE, COLUSA, EL DORADO (EAST), NEVADA, PLACER (EAST), SIERRA, SUTTER AND YUBA COUNTIES.....	\$ 53.31	33.52
CARPENTERS: BRIDGE BUILDER/HIGHWAY CARPENTER ALPINE, COLUSA, EL DORADO (EAST), NEVADA, PLACER (EAST), SIERRA, SUTTER AND YUBA COUNTIES.....	\$ 60.39	33.52

 CARP0152-003 07/01/2020

	Rates	Fringes
CARPENTERS: MILLWRIGHT AMADOR COUNTY.....	\$ 47.92	32.41
CARPENTERS: JOURNEYMAN CARPENTER AMADOR COUNTY....	\$ 45.42	30.82
CARPENTERS: HARDWOOD FLOORLAYER, SHINGLER, POWER SAW OPERATOR, STEEL SCAFFOLD & STEEL SHORING ERECTOR, SAW FILER AMADOR COUNTY.....	\$ 45.57	30.82
CARPENTERS: BRIDGE BUILDER/HIGHWAY CARPENTER AMADOR COUNTY.....	\$ 52.65	30.82

 CARP0180-001 07/01/2021

	Rates	Fringes
CARPENTERS: MILLWRIGHT SOLANO COUNTY.....	\$ 54.95	33.08
CARPENTERS: JOURNEYMAN CARPENTER SOLANO COUNTY....	\$ 54.85	31.49
CARPENTERS: HARDWOOD FLOORLAYER, SHINGLER, POWER SAW OPERATOR, STEEL SCAFFOLD & STEEL SHORING ERECTOR, SAW FILER SOLANO COUNTY.....	\$ 55.00	31.49
CARPENTERS: BRIDGE BUILDER/HIGHWAY CARPENTER SOLANO COUNTY.....	\$ 54.85	31.49

 CARP0751-001 07/01/2021

	Rates	Fringes
CARPENTERS: MILLWRIGHT NAPA AND SONOMA COUNTIES...	\$ 54.95	33.08
CARPENTERS: JOURNEYMAN CARPENTER NAPA AND SONOMA COUNTIES.....	\$ 54.85	31.49
CARPENTERS: HARDWOOD FLOORLAYER, SHINGLER, POWER SAW OPERATOR, STEEL SCAFFOLD & STEEL SHORING ERECTOR, SAW FILER NAPA AND SONOMA COUNTIES.....	\$ 55.00	31.49
CARPENTERS: BRIDGE BUILDER/HIGHWAY CARPENTER NAPA AND SONOMA COUNTIES.....	\$ 54.85	31.49

 CARP1599-001 07/01/2020

	Rates	Fringes
CARPENTERS: MILLWRIGHT BUTTE, GLENN, LASSEN, MODOC, PLUMAS, SHASTA, SISKIYOU, TEHAMA AND TRINITY COUNTIES.....	\$ 47.92	32.41
CARPENTERS: JOURNEYMAN CARPENTER BUTTE, GLENN, LASSEN, MODOC, PLUMAS, SHASTA, SISKIYOU, TEHAMA AND TRINITY COUNTIES.....	\$ 45.42	30.82
CARPENTERS: HARDWOOD FLOORLAYER, SHINGLER, POWER SAW OPERATOR, STEEL SCAFFOLD & STEEL SHORING ERECTOR, SAW FILER BUTTE, GLENN, LASSEN, MODOC, PLUMAS, SHASTA, SISKIYOU, TEHAMA AND TRINITY COUNTIES.....	\$ 45.57	30.82
CARPENTERS: BRIDGE BUILDER/HIGHWAY CARPENTER BUTTE, GLENN, LASSEN, MODOC, PLUMAS, SHASTA, SISKIYOU, TEHAMA AND TRINITY COUNTIES.....	\$ 52.65	30.82

ELEC0180-001 06/01/2025

	Rates	Fringes
ELECTRICIAN NAPA AND SOLANO COUNTIES.....	\$ 61.56	31.13
CABLE SPLICER NAPA AND SOLANO COUNTIES.....	\$ 69.26	31.36

ELEC0180-003 12/01/2025

	Rates	Fringes
SOUND & COMMUNICATIONS: TECHNICIAN NAPA AND SOLANO COUNTIES SCOPE OF WORK INCLUDES- SOUND & VOICE TRANSMISSION (MUSIC, INTERCOM, NURSE CALL, TELEPHONE); FIRE ALARM SYSTEMS [EXCLUDING FIRE ALARM WORK WHEN INSTALLED IN RACEWAYS (INCLUDING WIRE AND CABLE PULLING) AND WHEN PERFORMED ON NEW OR MAJOR REMODEL BUILDING PROJECTS OR JOBS], TELEVISION & VIDEO SYSTEMS, SECURITY SYSTEMS, COMMUNICATIONS SYSTEMS THAT TRANSMIT OR RECEIVE INFORMATION AND/OR CONTROL SYSTEMS THAT ARE INTRINSIC TO THE ABOVE. EXCLUDES- EXCLUDES ALL OTHER DATA SYSTEMS OR MULTIPLE SYSTEMS WHICH INCLUDE CONTROL FUNCTION OR POWER SUPPLY; EXCLUDES INSTALLATION OF RACEWAY SYSTEMS, LINE VOLTAGE WORK, INDUSTRIAL WORK, LIFE-SAFETY SYSTEMS (ALL BUILDINGS HAVING FLOORS LOCATED MORE THAN 75' ABOVE THE LOWEST FLOOR LEVEL HAVING BUILDING ACCESS); EXCLUDES ENERGY MANAGEMENT SYSTEMS.....	\$ 61.04	31.08
SOUND & COMMUNICATIONS: INSTALLER NAPA AND SOLANO COUNTIES SCOPE OF WORK INCLUDES- SOUND & VOICE TRANSMISSION (MUSIC, INTERCOM, NURSE CALL, TELEPHONE); FIRE ALARM SYSTEMS [EXCLUDING FIRE ALARM WORK WHEN INSTALLED IN RACEWAYS (INCLUDING WIRE AND CABLE PULLING) AND WHEN PERFORMED ON NEW OR MAJOR REMODEL BUILDING PROJECTS OR JOBS], TELEVISION & VIDEO SYSTEMS, SECURITY SYSTEMS, COMMUNICATIONS SYSTEMS THAT TRANSMIT OR RECEIVE INFORMATION AND/OR CONTROL SYSTEMS THAT ARE INTRINSIC TO THE ABOVE. EXCLUDES- EXCLUDES ALL OTHER DATA SYSTEMS OR MULTIPLE SYSTEMS WHICH INCLUDE CONTROL FUNCTION OR POWER SUPPLY; EXCLUDES INSTALLATION OF RACEWAY SYSTEMS, LINE VOLTAGE WORK, INDUSTRIAL WORK, LIFE-SAFETY SYSTEMS (ALL BUILDINGS HAVING FLOORS LOCATED MORE THAN 75' ABOVE THE LOWEST FLOOR LEVEL HAVING BUILDING ACCESS); EXCLUDES ENERGY MANAGEMENT SYSTEMS.....	\$ 53.08	30.84

ELEC0340-002 03/01/2025

	Rates	Fringes
COMMUNICATIONS SYSTEM: SOUND & COMMUNICATIONS TECHNICIAN ALPINE, AMADOR, BUTTE, COLUSA, EL DORADO, GLENN, LASSEN, NEVADA, PLACER, PLUMAS, SACRAMENTO, TRINITY, YOLO, YUBA COUNTIES SCOPE OF WORK INCLUDES THE INSTALLATION TESTING, SERVICE AND MAINTENANCE, OF THE FOLLOWING SYSTEMS WHICH UTILIZE THE TRANSMISSION AND/OR TRANSFERENCE OF VOICE, SOUND, VISION AND DIGITAL FOR COMMERCIAL, EDUCATION, SECURITY AND ENTERTAINMENT PURPOSES FOR THE FOLLOWING TV MONITORING AND SURVEILLANCE, BACKGROUND-FOREGROUND MUSIC, INTERCOM AND TELEPHONE INTERCONNECT, INVENTORY CONTROL SYSTEMS, MICROWAVE TRANSMISSION, MULTI-MEDIA, MULTIPLEX, NURSE CALL SYSTEM, RADIO PAGE, SCHOOL INTERCOM AND SOUND, BURGLAR ALARMS, AND LOW VOLTAGE MASTER CLOCK SYSTEMS. A. SOUND AND VOICE TRANSMISSION/TRANSFERENCE SYSTEMS BACKGROUND		

FOREGROUND MUSIC INTERCOM AND TELEPHONE
 INTERCONNECT SYSTEMS, TELEPHONE SYSTEMS, NURSE CALL
 SYSTEMS, RADIO PAGE SYSTEMS, SCHOOL INTERCOM AND
 SOUND SYSTEMS, BURGLAR ALARM SYSTEMS, LOW VOLTAGE
 MASTER CLOCK SYSTEMS, MULTI-MEDIA/MULTIPLEX
 SYSTEMS, SOUND AND MUSICAL ENTERTAINMENT SYSTEMS,
 RF SYSTEMS, ANTENNAS AND WAVE GUIDE. B. FIRE
 ALARM SYSTEMS INSTALLATION, WIRE PULLING AND
 TESTING C. TELEVISION AND VIDEO SYSTEMS
 TELEVISION MONITORING AND SURVEILLANCE SYSTEMS,
 VIDEO SECURITY SYSTEMS, VIDEO ENTERTAINMENT
 SYSTEMS, VIDEO EDUCATIONAL SYSTEMS, MICROWAVE
 TRANSMISSION SYSTEMS, CATV AND CCTV D. SECURITY
 SYSTEMS PERIMETER SECURITY SYSTEMS
 VIBRATION SENSOR SYSTEMS CARD ACCESS SYSTEMS
 ACCESS CONTROL SYSTEMS SONAR/INFRARED
 MONITORING EQUIPMENT E. COMMUNICATIONS SYSTEMS
 THAT TRANSMIT OR RECEIVE INFORMATION AND/OR
 CONTROL SYSTEMS THAT ARE INTRINSIC TO THE ABOVE
 LISTED SYSTEMS SCADA (SUPERVISORY CONTROL AND
 DATA ACQUISITION) PCM (PULSE CODE MODULATION)
 INVENTORY CONTROL SYSTEMS DIGITAL DATA
 SYSTEMS BROADBAND AND BASEBAND AND CARRIERS
 POINT OF SALE SYSTEMS VSAT DATA SYSTEMS
 DATA COMMUNICATION SYSTEMS RF AND REMOTE
 CONTROL SYSTEMS FIBER OPTIC DATA SYSTEMS WORK
 EXCLUDED RACEWAY SYSTEMS ARE NOT COVERED (EXCLUDING
 LADDER-RACK FOR THE PURPOSE OF THE ABOVE LISTED
 SYSTEMS). CHASES AND/OR NIPPLES (NOT TO EXCEED 10
 FEET) MAY BE INSTALLED ON OPEN WIRING SYSTEMS.
 ENERGY MANAGEMENT SYSTEMS. SCADA (SUPERVISORY
 CONTROL AND DATA ACQUISITION) WHEN NOT INTRINSIC TO
 THE ABOVE LISTED SYSTEMS (IN THE SCOPE). FIRE
 ALARM SYSTEMS WHEN INSTALLED IN RACEWAYS (INCLUDING
 WIRE AND CABLE PULLING) SHALL BE PERFORMED AT THE
 ELECTRICIAN WAGE RATE, WHEN EITHER OF THE FOLLOWING
 TWO (2) CONDITIONS APPLY: 1. THE PROJECT
 INVOLVES NEW OR MAJOR REMODEL BUILDING TRADES
 CONSTRUCTION. 2. THE CONDUCTORS FOR THE FIRE
 ALARM SYSTEM ARE INSTALLED IN CONDUIT.....\$ 46.00

25.68

COMMUNICATIONS SYSTEM: SOUND & COMMUNICATIONS
 INSTALLER ALPINE, AMADOR, BUTTE, COLUSA, EL
 DORADO, GLENN, LASSEN, NEVADA, PLACER, PLUMAS,
 SACRAMENTO, TRINITY, YOLO, YUBA COUNTIES SCOPE
 OF WORK INCLUDES THE INSTALLATION TESTING,
 SERVICE AND MAINTENANCE, OF THE FOLLOWING SYSTEMS
 WHICH UTILIZE THE TRANSMISSION AND/OR TRANSFERENCE
 OF VOICE, SOUND, VISION AND DIGITAL FOR COMMERCIAL,
 EDUCATION, SECURITY AND ENTERTAINMENT PURPOSES FOR
 THE FOLLOWING TV MONITORING AND SURVEILLANCE,
 BACKGROUND-FOREGROUND MUSIC, INTERCOM AND TELEPHONE
 INTERCONNECT, INVENTORY CONTROL SYSTEMS, MICROWAVE
 TRANSMISSION, MULTI-MEDIA, MULTIPLEX, NURSE CALL
 SYSTEM, RADIO PAGE, SCHOOL INTERCOM AND SOUND,
 BURGLAR ALARMS, AND LOW VOLTAGE MASTER CLOCK
 SYSTEMS. A. SOUND AND VOICE
 TRANSMISSION/TRANSFERENCE SYSTEMS BACKGROUND
 FOREGROUND MUSIC INTERCOM AND TELEPHONE
 INTERCONNECT SYSTEMS, TELEPHONE SYSTEMS, NURSE CALL
 SYSTEMS, RADIO PAGE SYSTEMS, SCHOOL INTERCOM AND
 SOUND SYSTEMS, BURGLAR ALARM SYSTEMS, LOW VOLTAGE
 MASTER CLOCK SYSTEMS, MULTI-MEDIA/MULTIPLEX
 SYSTEMS, SOUND AND MUSICAL ENTERTAINMENT SYSTEMS,
 RF SYSTEMS, ANTENNAS AND WAVE GUIDE. B. FIRE
 ALARM SYSTEMS INSTALLATION, WIRE PULLING AND

TESTING C. TELEVISION AND VIDEO SYSTEMS
 TELEVISION MONITORING AND SURVEILLANCE SYSTEMS,
 VIDEO SECURITY SYSTEMS, VIDEO ENTERTAINMENT
 SYSTEMS, VIDEO EDUCATIONAL SYSTEMS, MICROWAVE
 TRANSMISSION SYSTEMS, CATV AND CCTV D. SECURITY
 SYSTEMS PERIMETER SECURITY SYSTEMS
 VIBRATION SENSOR SYSTEMS CARD ACCESS SYSTEMS
 ACCESS CONTROL SYSTEMS SONAR/INFRARED
 MONITORING EQUIPMENT E. COMMUNICATIONS SYSTEMS
 THAT TRANSMIT OR RECEIVE INFORMATION AND/OR
 CONTROL SYSTEMS THAT ARE INTRINSIC TO THE ABOVE
 LISTED SYSTEMS SCADA (SUPERVISORY CONTROL AND
 DATA ACQUISITION) PCM (PULSE CODE MODULATION)
 INVENTORY CONTROL SYSTEMS DIGITAL DATA
 SYSTEMS BROADBAND AND BASEBAND AND CARRIERS
 POINT OF SALE SYSTEMS VSAT DATA SYSTEMS
 DATA COMMUNICATION SYSTEMS RF AND REMOTE
 CONTROL SYSTEMS FIBER OPTIC DATA SYSTEMS WORK
 EXCLUDED RACEWAY SYSTEMS ARE NOT COVERED (EXCLUDING
 LADDER-RACK FOR THE PURPOSE OF THE ABOVE LISTED
 SYSTEMS). CHASES AND/OR NIPPLES (NOT TO EXCEED 10
 FEET) MAY BE INSTALLED ON OPEN WIRING SYSTEMS.
 ENERGY MANAGEMENT SYSTEMS. SCADA (SUPERVISORY
 CONTROL AND DATA ACQUISITION) WHEN NOT INTRINSIC TO
 THE ABOVE LISTED SYSTEMS (IN THE SCOPE). FIRE
 ALARM SYSTEMS WHEN INSTALLED IN RACEWAYS (INCLUDING
 WIRE AND CABLE PULLING) SHALL BE PERFORMED AT THE
 ELECTRICIAN WAGE RATE, WHEN EITHER OF THE FOLLOWING
 TWO (2) CONDITIONS APPLY: 1. THE PROJECT
 INVOLVES NEW OR MAJOR REMODEL BUILDING TRADES
 CONSTRUCTION. 2. THE CONDUCTORS FOR THE FIRE
 ALARM SYSTEM ARE INSTALLED IN CONDUIT.....\$ 40.00

25.50

ELEC0340-003 08/01/2025

Rates

Fringes

ELECTRICIAN (REMAINING AREA) ALPINE (WEST OF
 SIERRA MT. WATERSHED), AMADOR, BUTTE, COLUSA, EL
 DORADO (WEST OF SIERRA MT. WATERSHED), GLENN,
 LASSEN, NEVADA (WEST OF SIERRA MT. WATERSHED),
 PLACER, PLUMAS, SACRAMENTO, SHASTA, SIERRA (WEST OF
 SIERRA MT. WATERSHED), SUTTER, TEHAMA, TRINITY,
 YOLO & YUBA COUNTIES CABLE SPLICER: RECEIVES
 110% OF THE ELECTRICIAN BASIC HOURLY RATE.....\$ 52.70

38.68

ELEC0401-005 01/01/2025

Rates

Fringes

ELECTRICIAN ALPINE (EAST OF THE MAIN WATERSHED
 DIVIDE), EL DORADO (EAST OF THE MAIN WATERSHED
 DIVIDE), NEVADA (EAST OF THE MAIN WATERSHED),
 PLACER (EAST OF THE MAIN WATERSHED DIVIDE) AND
 SIERRA (EAST OF THE MAIN WATERSHED DIVIDE) COUNTIES.\$ 48.50

23.04

ELEC0551-004 06/01/2024

Rates

Fringes

ELECTRICIAN MARIN AND SONOMA COUNTIES.....\$ 59.17

32.04

ELEC0551-005 12/01/2025

Rates

Fringes

SOUND & COMMUNICATIONS: TECHNICIAN MARIN & SONOMA
 COUNTIES SCOPE OF WORK INCLUDES- SOUND &
 VOICE TRANSMISSION (MUSIC, INTERCOM, NURSE CALL,

TELEPHONE); FIRE ALARM SYSTEMS [EXCLUDING FIRE ALARM WORK WHEN INSTALLED IN RACEWAYS (INCLUDING WIRE AND CABLE PULLING) AND WHEN PERFORMED ON NEW OR MAJOR REMODEL BUILDING PROJECTS OR JOBS], TELEVISION & VIDEO SYSTEMS, SECURITY SYSTEMS, COMMUNICATIONS SYSTEMS THAT TRANSMIT OR RECEIVE INFORMATION AND/OR CONTROL SYSTEMS THAT ARE INTRINSIC TO THE ABOVE. EXCLUDES- EXCLUDES ALL OTHER DATA SYSTEMS OR MULTIPLE SYSTEMS WHICH INCLUDE CONTROL FUNCTION OR POWER SUPPLY; EXCLUDES INSTALLATION OF RACEWAY SYSTEMS, LINE VOLTAGE WORK, INDUSTRIAL WORK, LIFE-SAFETY SYSTEMS (ALL BUILDINGS HAVING FLOORS LOCATED MORE THAN 75' ABOVE THE LOWEST FLOOR LEVEL HAVING BUILDING ACCESS); EXCLUDES ENERGY MANAGEMENT SYSTEMS.....\$ 61.04 31.08

SOUND & COMMUNICATIONS: INSTALLER MARIN & SONOMA COUNTIES SCOPE OF WORK INCLUDES- SOUND & VOICE TRANSMISSION (MUSIC, INTERCOM, NURSE CALL, TELEPHONE); FIRE ALARM SYSTEMS [EXCLUDING FIRE ALARM WORK WHEN INSTALLED IN RACEWAYS (INCLUDING WIRE AND CABLE PULLING) AND WHEN PERFORMED ON NEW OR MAJOR REMODEL BUILDING PROJECTS OR JOBS], TELEVISION & VIDEO SYSTEMS, SECURITY SYSTEMS, COMMUNICATIONS SYSTEMS THAT TRANSMIT OR RECEIVE INFORMATION AND/OR CONTROL SYSTEMS THAT ARE INTRINSIC TO THE ABOVE. EXCLUDES- EXCLUDES ALL OTHER DATA SYSTEMS OR MULTIPLE SYSTEMS WHICH INCLUDE CONTROL FUNCTION OR POWER SUPPLY; EXCLUDES INSTALLATION OF RACEWAY SYSTEMS, LINE VOLTAGE WORK, INDUSTRIAL WORK, LIFE-SAFETY SYSTEMS (ALL BUILDINGS HAVING FLOORS LOCATED MORE THAN 75' ABOVE THE LOWEST FLOOR LEVEL HAVING BUILDING ACCESS); EXCLUDES ENERGY MANAGEMENT SYSTEMS.....\$ 53.08 30.84

ELEC0659-006 01/01/2026

	Rates	Fringes
ELECTRICIAN MODOC AND SISKIYOU COUNTIES.....	\$ 47.04	21.84

ELEC0659-008 02/01/2023

	Rates	Fringes
LINE CONSTRUCTION: (1) CABLE SPLICER DEL NORTE, MODOC & SISKIYOU COUNTIES.....	\$ 67.80	25.20
LINE CONSTRUCTION: (2) LINEMAN, POLE SPRAYER, HEAVY LINE EQUIPMENT MAN DEL NORTE, MODOC & SISKIYOU COUNTIES.....	\$ 60.54	24.87

ELEC1245-004 01/01/2025

	Rates	Fringes
LINE CONSTRUCTION: (3) GROUNDMAN ALL COUNTIES EXCEPT DEL NORTE, MODOC & SISKIYOU HOLIDAYS: NEW YEAR'S DAY, M.L. KING DAY, MEMORIAL DAY, INDEPENDENCE DAY, LABOR DAY, VETERANS DAY, THANKSGIVING DAY AND DAY AFTER THANKSGIVING, CHRISTMAS DAY.....	\$ 40.76	21.76
LINE CONSTRUCTION: (2) EQUIPMENT SPECIALIST OPERATES CRAWLER TRACTORS, COMMERCIAL MOTOR VEHICLES, BACKHOES, TRENCHERS, CRANES (50 TONS AND BELOW), OVERHEAD & UNDERGROUND DISTRIBUTION LINE EQUIPMENT ALL COUNTIES EXCEPT DEL NORTE, MODOC & SISKIYOU HOLIDAYS: NEW YEAR'S DAY, M.L. KING DAY, MEMORIAL DAY, INDEPENDENCE DAY, LABOR DAY, VETERANS DAY, THANKSGIVING DAY AND DAY AFTER		

THANKSGIVING, CHRISTMAS DAY.....\$ 53.30 22.26
 LINE CONSTRUCTION (1) LINEMAN; CABLE SPLICER
 HOLIDAYS: NEW YEAR'S DAY, M.L. KING DAY, MEMORIAL
 DAY, INDEPENDENCE DAY, LABOR DAY, VETERANS DAY,
 THANKSGIVING DAY AND DAY AFTER THANKSGIVING,
 CHRISTMAS DAY ALL COUNTIES EXCEPT DEL NORTE, MODOC
 & SISKIYOU.....\$ 70.16 24.71

 ELEV0008-001 01/01/2025

Rates Fringes

ELEVATOR MECHANIC FOOTNOTE: A. PAID VACATION:
 EMPLOYER CONTRIBUTES 8% OF REGULAR HOURLY RATE AS
 VACATION PAY CREDIT FOR EMPLOYEES WITH MORE THAN 5
 YEARS OF SERVICE, AND 6% FOR 6 MONTHS TO 5 YEARS OF
 SERVICE. B. PAID HOLIDAYS: NEW YEAR'S DAY,
 MEMORIAL DAY, INDEPENDENCE DAY, LABOR DAY,
 VETERANS' DAY, THANKSGIVING DAY, FRIDAY AFTER
 THANKSGIVING, AND CHRISTMAS DAY.....\$ 84.05 38.44

 ENGI0003-008 08/01/2024

Rates Fringes

DREDGING (CLAMSHELL & DIPPER DREDGING; HYDRAULIC
 SUCTION DREDGING) AREA 2: (4) BARGEMAN; DECKHAND;
 FIREMAN; LEVEEHAND; OILER AREA DESCRIPTIONS
 AREA 1: ALAMEDA,BUTTE, CONTRA COSTA, KINGS, MARIN,
 MERCED, NAPA, SACRAMENTO, SAN BENITO, SAN
 FRANCISCO, SAN JOAQUIN, SAN MATEO, SANTA CLARA,
 SANTA CRUZ, SOLANO, STANISLAUS, SUTTER, YOLO, AND
 YUBA COUNTIES AREA 2: MODOC COUNTY THE
 REMAINING COUNTIES ARE SPLIT BETWEEN AREA 1 AND
 AREA 2 AS NOTED BELOW: ALPINE COUNTY: AREA 1:
 NORTHERNMOST PART AREA 2: REMAINDER CALAVERAS
 COUNTY: AREA 1: REMAINDER AREA 2: EASTERN PART
 COLUSA COUNTY: AREA 1: EASTERN PART AREA 2:
 REMAINDER ELDORADO COUNTY: AREA 1: NORTH CENTRAL
 PART AREA 2: REMAINDER FRESNO COUNTY: AREA
 1: REMAINDER AREA 2: EASTERN PART GLENN
 COUNTY: AREA 1: EASTERN PART AREA 2: REMAINDER
 LASSEN COUNTY: AREA 1: WESTERN PART ALONG THE
 SOUTHERN PORTION OF BORDER WITH SHASTA COUNTY AREA
 2: REMAINDER MADERA COUNTY: AREA 1: EXCEPT
 EASTERN PART AREA 2: EASTERN PART MARIPOSA
 COUNTY AREA 1: EXCEPT EASTERN PART AREA 2:
 EASTERN PART MONTERREY COUNTY AREA 1: EXCEPT
 SOUTHWESTERN PART AREA 2: SOUTHWESTERN PART
 NEVADA COUNTY: AREA 1: ALL BUT THE NORTHERN
 PORTION ALONG THE BORDER OF SIERRA COUNTY AREA 2:
 REMAINDER PLACER COUNTY: AREA 1: AL BUT THE
 CENTRAL PORTION AREA 2: REMAINDER PLUMAS COUNTY:
 AREA 1: WESTERN PORTION AREA 2: REMAINDER
 SHASTA COUNTY: AREA 1: ALL BUT THE NORTHEASTERN
 CORNER AREA 2: REMAINDER SIERRA COUNTY: AREA 1:
 WESTERN PART AREA 2: REMAINDER SISKIYOU COUNTY:
 AREA 1: CENTRAL PART AREA 2: REMAINDER SONOMA
 COUNTY: AREA 1: ALL BUT THE NORTHWESTERN CORNER
 AREA 2: REMAINDER TEHAMA COUNTY: AREA 1: ALL
 BUT THE WESTERN BORDER WITH MENDOCINO & TRINITY
 COUNTIES AREA 2: REMAINDER TRINITY COUNTY: AREA
 1: EAST CENTRAL PART AND THE NORTHEASTERN BORDER
 WITH SHASTA COUNTY AREA 2: REMAINDER TUOLUMNE
 COUNTY: AREA 1: EXCEPT EASTERN PART AREA 2:
 EASTERN PART.....\$ 53.23 39.55
 DREDGING (CLAMSHELL & DIPPER DREDGING; HYDRAULIC

SUCTION DREDGING) AREA 2: (3) BOOSTER PUMP OPERATOR; DECK ENGINEER; DECK MATE; DREDGE TENDER; WINCH OPERATOR AREA DESCRIPTIONS
 AREA 1: ALAMEDA,BUTTE, CONTRA COSTA, KINGS, MARIN, MERCED, NAPA, SACRAMENTO, SAN BENITO, SAN FRANCISCO, SAN JOAQUIN, SAN MATEO, SANTA CLARA, SANTA CRUZ, SOLANO, STANISLAUS, SUTTER, YOLO, AND YUBA COUNTIES AREA 2: MODOC COUNTY THE REMAINING COUNTIES ARE SPLIT BETWEEN AREA 1 AND AREA 2 AS NOTED BELOW: ALPINE COUNTY: AREA 1: NORTHERNMOST PART AREA 2: REMAINDER CALAVERAS COUNTY: AREA 1: REMAINDER AREA 2: EASTERN PART COLUSA COUNTY: AREA 1: EASTERN PART AREA 2: REMAINDER ELDORADO COUNTY: AREA 1: NORTH CENTRAL PART AREA 2: REMAINDER FRESNO COUNTY: AREA 1: REMAINDER AREA 2: EASTERN PART GLENN COUNTY: AREA 1: EASTERN PART AREA 2: REMAINDER LASSEN COUNTY: AREA 1: WESTERN PART ALONG THE SOUTHERN PORTION OF BORDER WITH SHASTA COUNTY AREA 2: REMAINDER MADERA COUNTY: AREA 1: EXCEPT EASTERN PART AREA 2: EASTERN PART MARIPOSA COUNTY AREA 1: EXCEPT EASTERN PART AREA 2: EASTERN PART MONTERREY COUNTY AREA 1: EXCEPT SOUTHWESTERN PART AREA 2: SOUTHWESTERN PART NEVADA COUNTY: AREA 1: ALL BUT THE NORTHERN PORTION ALONG THE BORDER OF SIERRA COUNTY AREA 2: REMAINDER PLACER COUNTY: AREA 1: AL BUT THE CENTRAL PORTION AREA 2: REMAINDER PLUMAS COUNTY: AREA 1: WESTERN PORTION AREA 2: REMAINDER SHASTA COUNTY: AREA 1: ALL BUT THE NORTHEASTERN CORNER AREA 2: REMAINDER SIERRA COUNTY: AREA 1: WESTERN PART AREA 2: REMAINDER SISKIYOU COUNTY: AREA 1: CENTRAL PART AREA 2: REMAINDER SONOMA COUNTY: AREA 1: ALL BUT THE NORTHWESTERN CORNER AREA 2: REMAINDER TEHAMA COUNTY: AREA 1: ALL BUT THE WESTERN BORDER WITH MENDOCINO & TRINITY COUNTIES AREA 2: REMAINDER TRINITY COUNTY: AREA 1: EAST CENTRAL PART AND THE NORTHEASTERN BORDER WITH SHASTA COUNTY AREA 2: REMAINDER TUOLUMNE COUNTY: AREA 1: EXCEPT EASTERN PART AREA 2: EASTERN PART.....\$ 56.53

39.55

DREDGING (CLAMSHELL & DIPPER DREDGING; HYDRAULIC SUCTION DREDGING) AREA 2: (2) DREDGE DOZER; HEAVY DUTY REPAIRMAN : AREA DESCRIPTIONS AREA 1: ALAMEDA,BUTTE, CONTRA COSTA, KINGS, MARIN, MERCED, NAPA, SACRAMENTO, SAN BENITO, SAN FRANCISCO, SAN JOAQUIN, SAN MATEO, SANTA CLARA, SANTA CRUZ, SOLANO, STANISLAUS, SUTTER, YOLO, AND YUBA COUNTIES AREA 2: MODOC COUNTY THE REMAINING COUNTIES ARE SPLIT BETWEEN AREA 1 AND AREA 2 AS NOTED BELOW: ALPINE COUNTY: AREA 1: NORTHERNMOST PART AREA 2: REMAINDER CALAVERAS COUNTY: AREA 1: REMAINDER AREA 2: EASTERN PART COLUSA COUNTY: AREA 1: EASTERN PART AREA 2: REMAINDER ELDORADO COUNTY: AREA 1: NORTH CENTRAL PART AREA 2: REMAINDER FRESNO COUNTY: AREA 1: REMAINDER AREA 2: EASTERN PART GLENN COUNTY: AREA 1: EASTERN PART AREA 2: REMAINDER LASSEN COUNTY: AREA 1: WESTERN PART ALONG THE SOUTHERN PORTION OF BORDER WITH SHASTA COUNTY AREA 2: REMAINDER MADERA COUNTY: AREA 1: EXCEPT EASTERN PART AREA 2: EASTERN PART MARIPOSA COUNTY AREA 1: EXCEPT EASTERN PART AREA 2: EASTERN PART MONTERREY COUNTY AREA 1: EXCEPT SOUTHWESTERN PART AREA 2: SOUTHWESTERN PART NEVADA COUNTY: AREA 1: ALL

BUT THE NORTHERN PORTION ALONG THE BORDER OF SIERRA COUNTY AREA 2: REMAINDER PLACER COUNTY: AREA 1: AL BUT THE CENTRAL PORTION AREA 2: REMAINDER PLUMAS COUNTY: AREA 1: WESTERN PORTION AREA 2: REMAINDER SHASTA COUNTY: AREA 1: ALL BUT THE NORTHEASTERN CORNER AREA 2: REMAINDER SIERRA COUNTY: AREA 1: WESTERN PART AREA 2: REMAINDER SISKIYOU COUNTY: AREA 1: CENTRAL PART AREA 2: REMAINDER SONOMA COUNTY: AREA 1: ALL BUT THE NORTHWESTERN CORNER AREA 2: REMAINDER TEHAMA COUNTY: AREA 1: ALL BUT THE WESTERN BORDER WITH MENDOCINO & TRINITY COUNTIES AREA 2: REMAINDER TRINITY COUNTY: AREA 1: EAST CENTRAL PART AND THE NORTHEASTERN BORDER WITH SHASTA COUNTY AREA 2:

REMAINDER TUOLUMNE COUNTY: AREA 1: EXCEPT EASTERN PART AREA 2: EASTERN PART.....\$ 57.65 39.55

DREDGING (CLAMSHELL & DIPPER DREDGING; HYDRAULIC SUCTION DREDGING) AREA 2: (1) LEVERMAN AREA DESCRIPTIONS AREA 1: ALAMEDA,BUTTE, CONTRA COSTA, KINGS, MARIN, MERCED, NAPA, SACRAMENTO, SAN BENITO, SAN FRANCISCO, SAN JOAQUIN, SAN MATEO, SANTA CLARA, SANTA CRUZ, SOLANO, STANISLAUS, SUTTER, YOLO, AND YUBA COUNTIES AREA 2: MODOC COUNTY THE REMAINGING COUNTIES ARE SPLIT BETWEEN AREA 1 AND AREA 2 AS NOTED BELOW: ALPINE COUNTY:

AREA 1: NORTHERNMOST PART AREA 2: REMAINDER CALAVERAS COUNTY: AREA 1: REMAINDER AREA 2: EASTERN PART COLUSA COUNTY: AREA 1: EASTERN PART AREA 2: REMAINDER EL DORADO COUNTY: AREA 1: NORTH CENTRAL PART AREA 2: REMAINDER FRESNO COUNTY: AREA 1: REMAINDER AREA 2: EASTERN PART GLENN COUNTY: AREA 1: EASTERN PART AREA 2:

REMAINDER LASSEN COUNTY: AREA 1: WESTERN PART ALONG THE SOUTHERN PORTION OF BORDER WITH SHASTA COUNTY AREA 2: REMAINDER MADERA COUNTY: AREA 1: EXCEPT EASTERN PART AREA 2: EASTERN PART MARIPOSA COUNTY AREA 1: EXCEPT EASTERN PART AREA 2: EASTERN PART MONTERREY COUNTY AREA 1: EXCEPT SOUTHWESTERN PART AREA 2: SOUTHWESTERN PART NEVADA COUNTY: AREA 1: ALL BUT THE NORTHERN PORTION ALONG THE BORDER OF SIERRA COUNTY AREA 2: REMAINDER PLACER COUNTY: AREA 1: AL BUT THE CENTRAL PORTION AREA 2: REMAINDER PLUMAS COUNTY: AREA 1: WESTERN PORTION AREA 2:

REMAINDER SHASTA COUNTY: AREA 1: ALL BUT THE NORTHEASTERN CORNER AREA 2: REMAINDER SIERRA COUNTY: AREA 1: WESTERN PART AREA 2: REMAINDER SISKIYOU COUNTY: AREA 1: CENTRAL PART AREA 2: REMAINDER SONOMA COUNTY: AREA 1: ALL BUT THE NORTHWESTERN CORNER AREA 2: REMAINDER TEHAMA COUNTY: AREA 1: ALL BUT THE WESTERN BORDER WITH MENDOCINO & TRINITY COUNTIES AREA 2: REMAINDER TRINITY COUNTY: AREA 1: EAST CENTRAL PART AND THE NORTHEASTERN BORDER WITH SHASTA COUNTY AREA 2:

REMAINDER TUOLUMNE COUNTY: AREA 1: EXCEPT EASTERN PART AREA 2: EASTERN PART.....\$ 62.61 39.55

DREDGING (CLAMSHELL & DIPPER DREDGING; HYDRAULIC SUCTION DREDGING) AREA 1: (4) BARGEMAN; DECKHAND; FIREMAN; LEVEEHAND; OILER AREA DESCRIPTIONS AREA 1: ALAMEDA,BUTTE, CONTRA COSTA, KINGS, MARIN, MERCED, NAPA, SACRAMENTO, SAN BENITO, SAN FRANCISCO, SAN JOAQUIN, SAN MATEO, SANTA CLARA, SANTA CRUZ, SOLANO, STANISLAUS, SUTTER, YOLO, AND YUBA COUNTIES AREA 2: MODOC COUNTY THE REMAINGING COUNTIES ARE SPLIT BETWEEN AREA 1 AND

AREA 2 AS NOTED BELOW: ALPINE COUNTY: AREA 1:
 NORTHERNMOST PART AREA 2: REMAINDER CALAVERAS
 COUNTY: AREA 1: REMAINDER AREA 2: EASTERN PART
 COLUSA COUNTY: AREA 1: EASTERN PART AREA 2:
 REMAINDER ELDORADO COUNTY: AREA 1: NORTH CENTRAL
 PART AREA 2: REMAINDER FRESNO COUNTY: AREA
 1: REMAINDER AREA 2: EASTERN PART GLENN
 COUNTY: AREA 1: EASTERN PART AREA 2: REMAINDER
 LASSEN COUNTY: AREA 1: WESTERN PART ALONG THE
 SOUTHERN PORTION OF BORDER WITH SHASTA COUNTY AREA
 2: REMAINDER MADERA COUNTY: AREA 1: EXCEPT
 EASTERN PART AREA 2: EASTERN PART MARIPOSA
 COUNTY AREA 1: EXCEPT EASTERN PART AREA 2:
 EASTERN PART MONTERREY COUNTY AREA 1: EXCEPT
 SOUTHWESTERN PART AREA 2: SOUTHWESTERN PART
 NEVADA COUNTY: AREA 1: ALL BUT THE NORTHERN
 PORTION ALONG THE BORDER OF SIERRA COUNTY AREA 2:
 REMAINDER PLACER COUNTY: AREA 1: AL BUT THE
 CENTRAL PORTION AREA 2: REMAINDER PLUMAS COUNTY:
 AREA 1: WESTERN PORTION AREA 2: REMAINDER
 SHASTA COUNTY: AREA 1: ALL BUT THE NORTHEASTERN
 CORNER AREA 2: REMAINDER SIERRA COUNTY: AREA 1:
 WESTERN PART AREA 2: REMAINDER SISKIYOU COUNTY:
 AREA 1: CENTRAL PART AREA 2: REMAINDER SONOMA
 COUNTY: AREA 1: ALL BUT THE NORTHWESTERN CORNER
 AREA 2: REMAINDER TEHAMA COUNTY: AREA 1: ALL
 BUT THE WESTERN BORDER WITH MENDOCINO & TRINITY
 COUNTIES AREA 2: REMAINDER TRINITY COUNTY: AREA
 1: EAST CENTRAL PART AND THE NORTHEASTERN BORDER
 WITH SHASTA COUNTY AREA 2: REMAINDER TUOLUMNE
 COUNTY: AREA 1: EXCEPT EASTERN PART AREA 2:
 EASTERN PART.....\$ 51.23

39.55

DREDGING (CLAMSHELL & DIPPER DREDGING; HYDRAULIC
 SUCTION DREDGING) AREA 1: (3) BOOSTER PUMP
 OPERATOR; DECK ENGINEER; DECK MATE; DREDGE
 TENDER; WINCH OPERATOR AREA DESCRIPTIONS
 AREA 1: ALAMEDA, BUTTE, CONTRA COSTA, KINGS, MARIN,
 MERCED, NAPA, SACRAMENTO, SAN BENITO, SAN
 FRANCISCO, SAN JOAQUIN, SAN MATEO, SANTA CLARA,
 SANTA CRUZ, SOLANO, STANISLAUS, SUTTER, YOLO, AND
 YUBA COUNTIES AREA 2: MODOC COUNTY THE
 REMAINING COUNTIES ARE SPLIT BETWEEN AREA 1 AND
 AREA 2 AS NOTED BELOW: ALPINE COUNTY: AREA 1:
 NORTHERNMOST PART AREA 2: REMAINDER CALAVERAS
 COUNTY: AREA 1: REMAINDER AREA 2: EASTERN PART
 COLUSA COUNTY: AREA 1: EASTERN PART AREA 2:
 REMAINDER ELDORADO COUNTY: AREA 1: NORTH CENTRAL
 PART AREA 2: REMAINDER FRESNO COUNTY: AREA
 1: REMAINDER AREA 2: EASTERN PART GLENN
 COUNTY: AREA 1: EASTERN PART AREA 2: REMAINDER
 LASSEN COUNTY: AREA 1: WESTERN PART ALONG THE
 SOUTHERN PORTION OF BORDER WITH SHASTA COUNTY AREA
 2: REMAINDER MADERA COUNTY: AREA 1: EXCEPT
 EASTERN PART AREA 2: EASTERN PART MARIPOSA
 COUNTY AREA 1: EXCEPT EASTERN PART AREA 2:
 EASTERN PART MONTERREY COUNTY AREA 1: EXCEPT
 SOUTHWESTERN PART AREA 2: SOUTHWESTERN PART
 NEVADA COUNTY: AREA 1: ALL BUT THE NORTHERN
 PORTION ALONG THE BORDER OF SIERRA COUNTY AREA 2:
 REMAINDER PLACER COUNTY: AREA 1: AL BUT THE
 CENTRAL PORTION AREA 2: REMAINDER PLUMAS COUNTY:
 AREA 1: WESTERN PORTION AREA 2: REMAINDER
 SHASTA COUNTY: AREA 1: ALL BUT THE NORTHEASTERN
 CORNER AREA 2: REMAINDER SIERRA COUNTY: AREA 1:
 WESTERN PART AREA 2: REMAINDER SISKIYOU COUNTY:

AREA 1: CENTRAL PART AREA 2: REMAINDER SONOMA COUNTY: AREA 1: ALL BUT THE NORTHWESTERN CORNER AREA 2: REMAINDER TEHAMA COUNTY: AREA 1: ALL BUT THE WESTERN BORDER WITH MENDOCINO & TRINITY COUNTIES AREA 2: REMAINDER TRINITY COUNTY: AREA 1: EAST CENTRAL PART AND THE NORTHEASTERN BORDER WITH SHASTA COUNTY AREA 2: REMAINDER TUOLUMNE COUNTY: AREA 1: EXCEPT EASTERN PART AREA 2:

EASTERN PART.....\$ 54.53 39.55

DREDGING (CLAMSHELL & DIPPER DREDGING; HYDRAULIC SUCTION DREDGING) AREA 1: (1) LEVERMAN AREA DESCRIPTIONS AREA 1: ALAMEDA,BUTTE, CONTRA COSTA, KINGS, MARIN, MERCED, NAPA, SACRAMENTO, SAN BENITO, SAN FRANCISCO, SAN JOAQUIN, SAN MATEO, SANTA CLARA, SANTA CRUZ, SOLANO, STANISLAUS, SUTTER, YOLO, AND YUBA COUNTIES AREA 2: MODOC COUNTY THE REMAINGING COUNTIES ARE SPLIT BETWEEN

AREA 1 AND AREA 2 AS NOTED BELOW: ALPINE COUNTY: AREA 1: NORTHERNMOST PART AREA 2: REMAINDER CALAVERAS COUNTY: AREA 1: REMAINDER AREA 2: EASTERN PART COLUSA COUNTY: AREA 1: EASTERN PART AREA 2: REMAINDER ELDORADO COUNTY: AREA 1: NORTH CENTRAL PART AREA 2: REMAINDER FRESNO COUNTY: AREA 1: REMAINDER AREA 2: EASTERN PART

GLENN COUNTY: AREA 1: EASTERN PART AREA 2: REMAINDER LASSEN COUNTY: AREA 1: WESTERN PART ALONG THE SOUTHERN PORTION OF BORDER WITH SHASTA COUNTY AREA 2: REMAINDER MADERA COUNTY: AREA 1: EXCEPT EASTERN PART AREA 2: EASTERN PART MARIPOSA COUNTY AREA 1: EXCEPT EASTERN PART AREA 2: EASTERN PART MONTERREY COUNTY AREA 1: EXCEPT SOUTHWESTERN PART AREA 2: SOUTHWESTERN PART

NEVADA COUNTY: AREA 1: ALL BUT THE NORTHERN PORTION ALONG THE BORDER OF SIERRA COUNTY AREA 2: REMAINDER PLACER COUNTY: AREA 1: AL BUT THE CENTRAL PORTION AREA 2: REMAINDER PLUMAS COUNTY: AREA 1: WESTERN PORTION AREA 2: REMAINDER SHASTA COUNTY: AREA 1: ALL BUT THE NORTHEASTERN CORNER AREA 2: REMAINDER SIERRA COUNTY: AREA 1: WESTERN PART AREA 2: REMAINDER SISKIYOU COUNTY: AREA 1: CENTRAL PART AREA 2: REMAINDER SONOMA COUNTY: AREA 1: ALL BUT THE NORTHWESTERN CORNER AREA 2: REMAINDER TEHAMA

COUNTY: AREA 1: ALL BUT THE WESTERN BORDER WITH MENDOCINO & TRINITY COUNTIES AREA 2: REMAINDER TRINITY COUNTY: AREA 1: EAST CENTRAL PART AND THE NORTHEASTERN BORDER WITH SHASTA COUNTY AREA 2: REMAINDER TUOLUMNE COUNTY: AREA 1: EXCEPT EASTERN PART AREA 2: EASTERN PART.....\$ 60.61

39.55

DREDGING (CLAMSHELL & DIPPER DREDGING; HYDRAULIC SUCTION DREDGING) AREA 1: (2) DREDGE DOZER; HEAVY DUTY REPAIRMAN AREA DESCRIPTIONS AREA 1: ALAMEDA,BUTTE, CONTRA COSTA, KINGS, MARIN, MERCED, NAPA, SACRAMENTO, SAN BENITO, SAN FRANCISCO, SAN JOAQUIN, SAN MATEO, SANTA CLARA, SANTA CRUZ, SOLANO, STANISLAUS, SUTTER, YOLO, AND YUBA COUNTIES

AREA 2: MODOC COUNTY THE REMAINGING COUNTIES ARE SPLIT BETWEEN AREA 1 AND AREA 2 AS NOTED BELOW: ALPINE COUNTY: AREA 1: NORTHERNMOST PART AREA 2: REMAINDER CALAVERAS COUNTY: AREA 1: REMAINDER AREA 2: EASTERN PART COLUSA COUNTY: AREA 1: EASTERN PART AREA 2: REMAINDER ELDORADO COUNTY: AREA 1: NORTH CENTRAL PART AREA 2: REMAINDER FRESNO COUNTY: AREA 1: REMAINDER AREA 2: EASTERN PART GLENN COUNTY: AREA 1:

EASTERN PART AREA 2: REMAINDER LASSEN COUNTY:
 AREA 1: WESTERN PART ALONG THE SOUTHERN PORTION OF
 BORDER WITH SHASTA COUNTY AREA 2: REMAINDER
 MADERA COUNTY: AREA 1: EXCEPT EASTERN PART AREA
 2: EASTERN PART MARIPOSA COUNTY AREA 1: EXCEPT
 EASTERN PART AREA 2: EASTERN PART MONTERREY
 COUNTY AREA 1: EXCEPT SOUTHWESTERN PART AREA 2:
 SOUTHWESTERN PART NEVADA COUNTY: AREA 1: ALL
 BUT THE NORTHERN PORTION ALONG THE BORDER OF SIERRA
 COUNTY AREA 2: REMAINDER PLACER COUNTY: AREA 1:
 AL BUT THE CENTRAL PORTION AREA 2: REMAINDER
 PLUMAS COUNTY: AREA 1: WESTERN PORTION AREA 2:
 REMAINDER SHASTA COUNTY: AREA 1: ALL BUT THE
 NORTHEASTERN CORNER AREA 2: REMAINDER SIERRA
 COUNTY: AREA 1: WESTERN PART AREA 2: REMAINDER
 SISKIYOU COUNTY: AREA 1: CENTRAL PART AREA 2:
 REMAINDER SONOMA COUNTY: AREA 1: ALL BUT THE
 NORTHWESTERN CORNER AREA 2: REMAINDER TEHAMA
 COUNTY: AREA 1: ALL BUT THE WESTERN BORDER WITH
 MENDOCINO & TRINITY COUNTIES AREA 2: REMAINDER
 TRINITY COUNTY: AREA 1: EAST CENTRAL PART AND THE
 NORTHEASTERN BORDER WITH SHASTA COUNTY AREA 2:
 REMAINDER TUOLUMNE COUNTY: AREA 1: EXCEPT
 EASTERN PART AREA 2: EASTERN PART.....\$ 55.65 39.55

 ENGI0003-019 06/30/2025

	Rates	Fringes
OPERATOR: POWER EQUIPMENT, LANDSCAPE WORK ONLY: GROUP 3 (AREA 2).....	\$ 49.64	28.56
OPERATOR: POWER EQUIPMENT, LANDSCAPE WORK ONLY: GROUP 3 (AREA 1).....	\$ 47.64	28.56
OPERATOR: POWER EQUIPMENT, LANDSCAPE WORK ONLY: GROUP 2 (AREA 2).....	\$ 54.25	28.56
OPERATOR: POWER EQUIPMENT, LANDSCAPE WORK ONLY: GROUP 2 (AREA 1).....	\$ 52.25	28.56
OPERATOR: POWER EQUIPMENT, LANDSCAPE WORK ONLY: GROUP 1 (AREA 2).....	\$ 57.85	28.56
OPERATOR: POWER EQUIPMENT, LANDSCAPE WORK ONLY: GROUP 1 (AREA 1).....	\$ 55.85	28.56

 ENGI0003-038 06/29/2020

	Rates	Fringes
OPERATOR: POWER EQUIPMENT, PILEDIVING - AREA 1:: GROUP 6.....	\$ 42.50	31.15
OPERATOR: POWER EQUIPMENT, PILEDIVING - AREA 1:: GROUP 5.....	\$ 44.73	31.15
OPERATOR: POWER EQUIPMENT, PILEDIVING - AREA 1:: GROUP 4.....	\$ 47.37	31.15
OPERATOR: POWER EQUIPMENT, PILEDIVING - AREA 1:: GROUP 3 (Truck Crane Oiler).....	\$ 45.12	31.15
OPERATOR: POWER EQUIPMENT, PILEDIVING - AREA 1:: GROUP 3 (Oiler).....	\$ 42.89	31.15
OPERATOR: POWER EQUIPMENT, PILEDIVING - AREA 1:: GROUP 3 (Lifting devices).....	\$ 49.14	31.15
OPERATOR: POWER EQUIPMENT, PILEDIVING - AREA 1:: GROUP 2 (Truck Crane Oiler).....	\$ 45.41	31.15
OPERATOR: POWER EQUIPMENT, PILEDIVING - AREA 1:: GROUP 2 (Oiler).....	\$ 43.11	31.15
OPERATOR: POWER EQUIPMENT, PILEDIVING - AREA 1:: GROUP 2 (Lifting devices).....	\$ 50.82	31.15
OPERATOR: POWER EQUIPMENT, PILEDIVING - AREA 1:: GROUP 1 (Truck Crane Oiler).....	\$ 45.66	31.15
OPERATOR: POWER EQUIPMENT, PILEDIVING - AREA 1::		

GROUP 1 (Oiler).....	\$ 43.38	31.15
OPERATOR: POWER EQUIPMENT, PILEDIVING - AREA 1::		
GROUP 1 (Lifting devices).....	\$ 52.64	31.15
OPERATOR: POWER EQUIPMENT, TUNNEL AND UNDERGROUND		
WORK - AREA 1:: UNDERGROUND: (GROUP 5).....	\$ 58.09	32.53
OPERATOR: POWER EQUIPMENT, TUNNEL AND UNDERGROUND		
WORK - AREA 1:: UNDERGROUND: (GROUP 4).....	\$ 59.23	32.53
OPERATOR: POWER EQUIPMENT, TUNNEL AND UNDERGROUND		
WORK - AREA 1:: UNDERGROUND: (GROUP 3).....	\$ 60.37	32.53
OPERATOR: POWER EQUIPMENT, TUNNEL AND UNDERGROUND		
WORK - AREA 1:: UNDERGROUND: (GROUP 2).....	\$ 61.70	32.53
OPERATOR: POWER EQUIPMENT, TUNNEL AND UNDERGROUND		
WORK - AREA 1:: UNDERGROUND: (GROUP 1-A).....	\$ 65.43	32.53
OPERATOR: POWER EQUIPMENT, TUNNEL AND UNDERGROUND		
WORK - AREA 1:: UNDERGROUND: (GROUP 1).....	\$ 62.96	32.53
OPERATOR: POWER EQUIPMENT, TUNNEL AND UNDERGROUND		
WORK - AREA 1:: SHAFTS, STOPEs, RAISES: (GROUP 5)...	\$ 58.19	32.53
OPERATOR: POWER EQUIPMENT, TUNNEL AND UNDERGROUND		
WORK - AREA 1:: SHAFTS, STOPEs, RAISES: (GROUP 4)...	\$ 59.33	32.53
OPERATOR: POWER EQUIPMENT, TUNNEL AND UNDERGROUND		
WORK - AREA 1:: SHAFTS, STOPEs, RAISES: (GROUP 3)...	\$ 60.47	32.53
OPERATOR: POWER EQUIPMENT, TUNNEL AND UNDERGROUND		
WORK - AREA 1:: SHAFTS, STOPEs, RAISES: (GROUP 2)...	\$ 61.80	32.53
OPERATOR: POWER EQUIPMENT, TUNNEL AND UNDERGROUND		
WORK - AREA 1:: SHAFTS, STOPEs, RAISES: (GROUP 1-A)...	\$ 65.53	32.53
OPERATOR: POWER EQUIPMENT, TUNNEL AND UNDERGROUND		
WORK - AREA 1:: SHAFTS, STOPEs, RAISES: (GROUP 1)...	\$ 63.06	32.53
OPERATOR: POWER EQUIPMENT, STEEL ERECTION - AREA		
1:: GROUP 5.....	\$ 62.24	32.53
OPERATOR: POWER EQUIPMENT, STEEL ERECTION - AREA		
1:: GROUP 4.....	\$ 63.54	32.53
OPERATOR: POWER EQUIPMENT, STEEL ERECTION - AREA		
1:: GROUP 3.....	\$ 65.56	32.53
OPERATOR: POWER EQUIPMENT, STEEL ERECTION - AREA		
1:: GROUP 2.....	\$ 67.04	32.53
OPERATOR: POWER EQUIPMENT, STEEL ERECTION - AREA		
1:: GROUP 1.....	\$ 68.81	32.53
OPERATOR: POWER EQUIPMENT, CRANES AND ATTACHMENTS		
- AREA 1:: GROUP 4.....	\$ 61.30	32.53
OPERATOR: POWER EQUIPMENT, CRANES AND ATTACHMENTS		
- AREA 1:: GROUP 3 (Hydraulic).....	\$ 60.61	32.53
OPERATOR: POWER EQUIPMENT, CRANES AND ATTACHMENTS		
- AREA 1:: GROUP 3 (Cranes).....	\$ 64.34	32.53
OPERATOR: POWER EQUIPMENT, CRANES AND ATTACHMENTS		
- AREA 1:: GROUP 2.....	\$ 66.08	32.53
OPERATOR: POWER EQUIPMENT, CRANES AND ATTACHMENTS		
- AREA 1:: GROUP 1.....	\$ 68.59	32.53
OPERATOR: POWER EQUIPMENT, AREA 1:: GROUP 8-A.....	\$ 55.49	32.53
OPERATOR: POWER EQUIPMENT, AREA 1:: GROUP 8.....	\$ 57.70	32.53
OPERATOR: POWER EQUIPMENT, AREA 1:: GROUP 7.....	\$ 58.84	32.53
OPERATOR: POWER EQUIPMENT, AREA 1:: GROUP 6.....	\$ 59.98	32.53
OPERATOR: POWER EQUIPMENT, AREA 1:: GROUP 5.....	\$ 61.30	32.53
OPERATOR: POWER EQUIPMENT, AREA 1:: GROUP 4.....	\$ 62.57	32.53
OPERATOR: POWER EQUIPMENT, AREA 1:: GROUP 3.....	\$ 63.95	32.53
OPERATOR: POWER EQUIPMENT, AREA 1:: GROUP 2.....	\$ 65.43	32.53
OPERATOR: POWER EQUIPMENT, AREA 1:: GROUP 1.....	\$ 66.96	32.53

 ENGI0003-038 06/30/2025

	Rates	Fringes
OPERATOR: POWER EQUIPMENT, PILEDIVING - AREA 1::		
GROUP 6.....	\$ 42.50	31.15
OPERATOR: POWER EQUIPMENT, PILEDIVING - AREA 1::		
GROUP 5.....	\$ 44.73	31.15
OPERATOR: POWER EQUIPMENT, PILEDIVING - AREA 1::		

GROUP 4.....	\$ 47.37	31.15
OPERATOR: POWER EQUIPMENT, PILEDIVING - AREA 1::		
GROUP 3 (Truck Crane Oiler).....	\$ 45.12	31.15
OPERATOR: POWER EQUIPMENT, PILEDIVING - AREA 1::		
GROUP 3 (Oiler).....	\$ 42.89	31.15
OPERATOR: POWER EQUIPMENT, PILEDIVING - AREA 1::		
GROUP 3 (Lifting devices).....	\$ 49.14	31.15
OPERATOR: POWER EQUIPMENT, PILEDIVING - AREA 1::		
GROUP 2 (Truck Crane Oiler).....	\$ 45.41	31.15
OPERATOR: POWER EQUIPMENT, PILEDIVING - AREA 1::		
GROUP 2 (Oiler).....	\$ 43.11	31.15
OPERATOR: POWER EQUIPMENT, PILEDIVING - AREA 1::		
GROUP 2 (Lifting devices).....	\$ 50.82	31.15
OPERATOR: POWER EQUIPMENT, PILEDIVING - AREA 1::		
GROUP 1 (Truck Crane Oiler).....	\$ 45.66	31.15
OPERATOR: POWER EQUIPMENT, PILEDIVING - AREA 1::		
GROUP 1 (Oiler).....	\$ 43.38	31.15
OPERATOR: POWER EQUIPMENT, PILEDIVING - AREA 1::		
GROUP 1 (Lifting devices).....	\$ 52.64	31.15
OPERATOR: POWER EQUIPMENT, TUNNEL AND UNDERGROUND		
WORK - AREA 1:: UNDERGROUND: (GROUP 5).....	\$ 58.09	32.53
OPERATOR: POWER EQUIPMENT, TUNNEL AND UNDERGROUND		
WORK - AREA 1:: UNDERGROUND: (GROUP 4).....	\$ 59.23	32.53
OPERATOR: POWER EQUIPMENT, TUNNEL AND UNDERGROUND		
WORK - AREA 1:: UNDERGROUND: (GROUP 3).....	\$ 60.37	32.53
OPERATOR: POWER EQUIPMENT, TUNNEL AND UNDERGROUND		
WORK - AREA 1:: UNDERGROUND: (GROUP 2).....	\$ 61.70	32.53
OPERATOR: POWER EQUIPMENT, TUNNEL AND UNDERGROUND		
WORK - AREA 1:: UNDERGROUND: (GROUP 1-A).....	\$ 65.43	32.53
OPERATOR: POWER EQUIPMENT, TUNNEL AND UNDERGROUND		
WORK - AREA 1:: UNDERGROUND: (GROUP 1).....	\$ 62.96	32.53
OPERATOR: POWER EQUIPMENT, TUNNEL AND UNDERGROUND		
WORK - AREA 1:: SHAFTS, STOPEs, RAISES: (GROUP 5)...	\$ 58.19	32.53
OPERATOR: POWER EQUIPMENT, TUNNEL AND UNDERGROUND		
WORK - AREA 1:: SHAFTS, STOPEs, RAISES: (GROUP 4)...	\$ 59.33	32.53
OPERATOR: POWER EQUIPMENT, TUNNEL AND UNDERGROUND		
WORK - AREA 1:: SHAFTS, STOPEs, RAISES: (GROUP 3)...	\$ 60.47	32.53
OPERATOR: POWER EQUIPMENT, TUNNEL AND UNDERGROUND		
WORK - AREA 1:: SHAFTS, STOPEs, RAISES: (GROUP 2)...	\$ 61.80	32.53
OPERATOR: POWER EQUIPMENT, TUNNEL AND UNDERGROUND		
WORK - AREA 1:: SHAFTS, STOPEs, RAISES: (GROUP 1-A)...	\$ 65.53	32.53
OPERATOR: POWER EQUIPMENT, TUNNEL AND UNDERGROUND		
WORK - AREA 1:: SHAFTS, STOPEs, RAISES: (GROUP 1)...	\$ 63.06	32.53
OPERATOR: POWER EQUIPMENT, STEEL ERECTION - AREA		
1:: GROUP 5.....	\$ 62.24	32.53
OPERATOR: POWER EQUIPMENT, STEEL ERECTION - AREA		
1:: GROUP 4.....	\$ 63.54	32.53
OPERATOR: POWER EQUIPMENT, STEEL ERECTION - AREA		
1:: GROUP 3.....	\$ 65.56	32.53
OPERATOR: POWER EQUIPMENT, STEEL ERECTION - AREA		
1:: GROUP 2.....	\$ 67.04	32.53
OPERATOR: POWER EQUIPMENT, STEEL ERECTION - AREA		
1:: GROUP 1.....	\$ 68.81	32.53
OPERATOR: POWER EQUIPMENT, CRANES AND ATTACHMENTS		
- AREA 1:: GROUP 4.....	\$ 61.30	32.53
OPERATOR: POWER EQUIPMENT, CRANES AND ATTACHMENTS		
- AREA 1:: GROUP 3 (Hydraulic).....	\$ 60.61	32.53
OPERATOR: POWER EQUIPMENT, CRANES AND ATTACHMENTS		
- AREA 1:: GROUP 3 (Cranes).....	\$ 64.34	32.53
OPERATOR: POWER EQUIPMENT, CRANES AND ATTACHMENTS		
- AREA 1:: GROUP 2.....	\$ 66.08	32.53
OPERATOR: POWER EQUIPMENT, CRANES AND ATTACHMENTS		
- AREA 1:: GROUP 1.....	\$ 68.59	32.53
OPERATOR: POWER EQUIPMENT, AREA 1:: GROUP 8-A.....	\$ 55.49	32.53
OPERATOR: POWER EQUIPMENT, AREA 1:: GROUP 8.....	\$ 57.70	32.53

OPERATOR: POWER EQUIPMENT, AREA 1:: GROUP 7.....	\$ 58.84	32.53
OPERATOR: POWER EQUIPMENT, AREA 1:: GROUP 6.....	\$ 59.98	32.53
OPERATOR: POWER EQUIPMENT, AREA 1:: GROUP 5.....	\$ 61.30	32.53
OPERATOR: POWER EQUIPMENT, AREA 1:: GROUP 4.....	\$ 62.57	32.53
OPERATOR: POWER EQUIPMENT, AREA 1:: GROUP 3.....	\$ 63.95	32.53
OPERATOR: POWER EQUIPMENT, AREA 1:: GROUP 2.....	\$ 65.43	32.53
OPERATOR: POWER EQUIPMENT, AREA 1:: GROUP 1.....	\$ 66.96	32.53

IRON0118-012 01/01/2025

	Rates	Fringes
IRONWORKER ALPINE, LASSEN, MODOC, SISKIYOU AND TRINITY COUNTIES.....	\$ 43.75	34.45

IRON0118-013 01/01/2025

	Rates	Fringes
IRONWORKER AMADOR, BUTTE, COLUSA, EL DORADO, GLENN, MARIN, NAPA, NEVADA, PLACER, PLUMAS, SACRAMENTO, SHASTA, SIERRA, SOLANO, SONOMA, SUTTER, TEHAMA, YOLO AND YUBA COUNTIES.....	\$ 50.70	35.15

LAB00067-003 07/01/2024

	Rates	Fringes
LABORER, ASBESTOS/MOLD/LEAD LABORER: REMAINING COUNTIES.....	\$ 36.75	29.69
LABORER, ASBESTOS/MOLD/LEAD LABORER: MARIN AND NAPA COUNTIES.....	\$ 37.75	29.69

LAB00067-005 01/01/2024

	Rates	Fringes
LABORER, TRAFFIC CONTROL/LANE CLOSURE: TRAFFIC CONTROL PERSON II (Area B).....	\$ 34.06	27.32
LABORER, TRAFFIC CONTROL/LANE CLOSURE: TRAFFIC CONTROL PERSON II (Area A).....	\$ 35.06	27.32
LABORER, TRAFFIC CONTROL/LANE CLOSURE: TRAFFIC CONTROL PERSON I (Area B).....	\$ 36.56	27.32
LABORER, TRAFFIC CONTROL/LANE CLOSURE: TRAFFIC CONTROL PERSON I (Area A).....	\$ 37.56	27.32
LABORER, TRAFFIC CONTROL/LANE CLOSURE: ESCORT DRIVER, FLAG PERSON (Area B).....	\$ 36.26	27.32
LABORER, TRAFFIC CONTROL/LANE CLOSURE: ESCORT DRIVER, FLAG PERSON (Area A).....	\$ 37.26	27.32

LAB00185-002 07/01/2023

	Rates	Fringes
LABORER: MASON TENDER-BRICK ALPINE, AMADOR, BUTTE, COLUSA, EL DORADO, GLENN, LASSEN, MODOC, NEVADA, PLACER, PLUMAS, SACRAMENTO, SHASTA, SIERRA, SISKIYOU, SUTTER, TEHAMA, TRINITY, YOLO AND YUBA COUNTIES.....	\$ 36.29	25.55

LAB00185-005 06/26/2023

	Rates	Fringes
TUNNEL AND SHAFT LABORERS: SHOTCRETE SPECIALIST ALPINE, AMADOR, BUTTE, COLUSA, EL DORADO, GLENN, LASSEN, MODOC, NEVADA, PLACER, PLUMAS, SACRAMENTO, SHASTA, SIERRA, SISKIYOU, SUTTER, TEHAMA, TRINITY, YOLO AND YUBA COUNTIES.....	\$ 46.41	27.72
TUNNEL AND SHAFT LABORERS: GROUP 5: GROUT CREW; REBOUNDMAN; SWAMPER/ BRAKEMAN (ALPINE, AMADOR,		

BUTTE, COLUSA, EL DORADO, GLENN, LASSEN, MODOC, NEVADA, PLACER, PLUMAS, SACRAMENTO, SHASTA, SIERRA, SISKIYOU, SUTTER, TEHAMA, TRINITY, YOLO AND YUBA COUNTIES).....	\$ 44.42	27.72
TUNNEL AND SHAFT LABORERS: GROUP 4: VIBRATOR OPERATOR, PAVEMENT BREAKER; BULL GANG - MUCKERS, TRACKMEN; CONCRETE CREW - INCLUDES RODDING AND SPREADING, DUMP MEN (ANY METHOD) (ALPINE, AMADOR, BUTTE, COLUSA, EL DORADO, GLENN, LASSEN, MODOC, NEVADA, PLACER, PLUMAS, SACRAMENTO, SHASTA, SIERRA, SISKIYOU, SUTTER, TEHAMA, TRINITY, YOLO AND YUBA COUNTIES).....	\$ 44.96	27.72
TUNNEL AND SHAFT LABORERS: GROUP 3: BIT GRINDER; BLASTER, DRILLER, POWDERMEN, HEADING; CHERRY PICKERMEN - WHERE CAR IS LIFTED; CONCRETE FINISHER IN TUNNEL; CONCRETE SCREEDMAN; GROUT PUMP MAN AND POTMAN; GUNITE & SHOTCRETE GUNMAN & POTMAN; HEADER MEN; HIGH PRESSURE NOZZLEMAN; MINER - TUNNEL, INCLUDING TOP AND BOTTOM MAN ON SHAFT AND RAISE WORK; NIPPER; NOZZLEMAN ON SLICK LINE; SANDBLASTER - POTMAN, ROBOTIC SHOTCRETE PLACER, SEGMENT ERECTOR, TUNNEL MUCK HAULER, STEEL FORM RAISER AND SETTER; TIMBERMAN, RETIMBERMAN (WOOD OR STEEL OR SUBSTITUTE MATERIALS THEREFORE); TUGGER (FOR TUNNEL LABORER WORK); CABLE TENDER; CHUCK TENDER; POWDERMAN - PRIMER HOUSE (ALPINE, AMADOR, BUTTE, COLUSA, EL DORADO, GLENN, LASSEN, MODOC, NEVADA, PLACER, PLUMAS, SACRAMENTO, SHASTA, SIERRA, SISKIYOU, SUTTER, TEHAMA, TRINITY, YOLO AND YUBA COUNTIES).....	\$ 45.41	27.72
TUNNEL AND SHAFT LABORERS: GROUP 2: RODMEN; SHAFT WORK & RAISE (BELOW ACTUAL OR EXCAVATED GROUND LEVEL) (ALPINE, AMADOR, BUTTE, COLUSA, EL DORADO, GLENN, LASSEN, MODOC, NEVADA, PLACER, PLUMAS, SACRAMENTO, SHASTA, SIERRA, SISKIYOU, SUTTER, TEHAMA, TRINITY, YOLO AND YUBA COUNTIES).....	\$ 45.66	27.72
TUNNEL AND SHAFT LABORERS: GROUP 1: DIAMOND DRILLER; GROUND MEN; GUNITE AND SHOTCRETE NOZZLEMEN (ALPINE, AMADOR, BUTTE, COLUSA, EL DORADO, GLENN, LASSEN, MODOC, NEVADA, PLACER, PLUMAS, SACRAMENTO, SHASTA, SIERRA, SISKIYOU, SUTTER, TEHAMA, TRINITY, YOLO AND YUBA COUNTIES).....	\$ 45.89	27.72

LAB00185-006 06/26/2023

Rates Fringes

LABORER: GARDENERS, HORTICULTURAL & LANDSCAPE LABORERS - AREA B: (ALPINE, AMADOR, BUTTE, COLUSA, EL DORADO, GLENN, LASSEN, MODOC, NEVADA, PLACER, PLUMAS, SACRAMENTO, SHASTA, SIERRA, SISKIYOU, SUTTER, TEHAMA, TRINITY, YOLO, YUBA COUNTIES)- (2) Establishment Warranty Period.....	\$ 28.94	27.30
LABORER: GARDENERS, HORTICULTURAL & LANDSCAPE LABORERS - AREA B: (ALPINE, AMADOR, BUTTE, COLUSA, EL DORADO, GLENN, LASSEN, MODOC, NEVADA, PLACER, PLUMAS, SACRAMENTO, SHASTA, SIERRA, SISKIYOU, SUTTER, TEHAMA, TRINITY, YOLO, YUBA COUNTIES)- (1) New Construction.....	\$ 35.25	27.30
LABORER, WRECKING - AREA B: GROUP 2: SEMI-SKILLED WRECKER (SALVAGING OF OTHER BUILDING MATERIALS) (ALPINE, AMADOR, BUTTE, COLUSA, EL DORADO, GLENN, LASSEN, MODOC, NEVADA, PLACER, PLUMAS, SACRAMENTO, SHASTA, SIERRA, SISKIYOU, SUTTER, TEHAMA, TRINITY, YOLO, YUBA COUNTIES) FOOTNOTES: LABORERS WORKING OFF OR WITH OR FROM BOS'N CHAIRS, SWINGING		

SCAFFOLDS, BELTS SHALL RECEIVE \$0.25 PER HOUR ABOVE THE APPLICABLE WAGE RATE. THIS SHALL NOT APPLY TO WORKERS ENTITLED TO RECEIVE THE WAGE RATE SET FORTH IN GROUP 1-A BELOW.....\$ 35.35 27.30

LABORER, WRECKING - AREA B: GROUP 1- SKILLED WRECKER (REMOVING AND SALVAGING OF SASH, WINDOWS AND MATERIALS) FOOTNOTES: LABORERS WORKING OFF OR WITH OR FROM BOS'N CHAIRS, SWINGING SCAFFOLDS, BELTS SHALL RECEIVE \$0.25 PER HOUR ABOVE THE APPLICABLE WAGE RATE. THIS SHALL NOT APPLY TO WORKERS ENTITLED TO RECEIVE THE WAGE RATE SET FORTH IN GROUP 1-A BELOW. ALPINE, AMADOR, BUTTE, COLUSA, EL DORADO, GLENN, LASSEN, MODOC, NEVADA, PLACER, PLUMAS, SACRAMENTO, SHIASTA, SIERRA, SISKIYOU, SUTTER, TEHAMA, TRINITY, YOLO, YUBA COUNTIES.....\$ 35.50 27.30

LABORER, GUNITE - AREA B: GROUP 4: GUNITE LABORER (ALPINE, AMADOR, BUTTE, COLUSA, EL DORADO, GLENN, LASSEN, MODOC, NEVADA, PLACER, PLUMAS, SACRAMENTO, SHIASTA, SIERRA, SISKIYOU, SUTTER, TEHAMA, TRINITY, YOLO, YUBA COUNTIES) FOOTNOTES: LABORERS WORKING OFF OR WITH OR FROM BOS'N CHAIRS, SWINGING SCAFFOLDS, BELTS SHALL RECEIVE \$0.25 PER HOUR ABOVE THE APPLICABLE WAGE RATE. THIS SHALL NOT APPLY TO WORKERS ENTITLED TO RECEIVE THE WAGE RATE SET FORTH IN GROUP 1-A BELOW.\$ 35.25 27.30

LABORER, GUNITE - AREA B: GROUP 3: REBOUNDMAN (ALPINE, AMADOR, BUTTE, COLUSA, EL DORADO, GLENN, LASSEN, MODOC, NEVADA, PLACER, PLUMAS, SACRAMENTO, SHIASTA, SIERRA, SISKIYOU, SUTTER, TEHAMA, TRINITY, YOLO, YUBA COUNTIES) FOOTNOTES: LABORERS WORKING OFF OR WITH OR FROM BOS'N CHAIRS, SWINGING SCAFFOLDS, BELTS SHALL RECEIVE \$0.25 PER HOUR ABOVE THE APPLICABLE WAGE RATE. THIS SHALL NOT APPLY TO WORKERS ENTITLED TO RECEIVE THE WAGE RATE SET FORTH IN GROUP 1-A BELOW.\$ 35.37 27.30

LABORER, GUNITE - AREA B: GROUP 2: NOZZLEMAN, GUNMAN, POTMAN, GROUNDMAN (ALPINE, AMADOR, BUTTE, COLUSA, EL DORADO, GLENN, LASSEN, MODOC, NEVADA, PLACER, PLUMAS, SACRAMENTO, SHIASTA, SIERRA, SISKIYOU, SUTTER, TEHAMA, TRINITY, YOLO, YUBA COUNTIES) FOOTNOTES: LABORERS WORKING OFF OR WITH OR FROM BOS'N CHAIRS, SWINGING SCAFFOLDS, BELTS SHALL RECEIVE \$0.25 PER HOUR ABOVE THE APPLICABLE WAGE RATE. THIS SHALL NOT APPLY TO WORKERS ENTITLED TO RECEIVE THE WAGE RATE SET FORTH IN GROUP 1-A BELOW.\$ 35.96 27.30

LABORER, GUNITE - AREA B: GROUP 1- GROUP 1: STRUCTURAL NOZZLEMAN FOOTNOTES: LABORERS WORKING OFF OR WITH OR FROM BOS'N CHAIRS, SWINGING SCAFFOLDS, BELTS SHALL RECEIVE \$0.25 PER HOUR ABOVE THE APPLICABLE WAGE RATE. THIS SHALL NOT APPLY TO WORKERS ENTITLED TO RECEIVE THE WAGE RATE SET FORTH IN GROUP 1-A BELOW. ALPINE, AMADOR, BUTTE, COLUSA, EL DORADO, GLENN, LASSEN, MODOC, NEVADA, PLACER, PLUMAS, SACRAMENTO, SHIASTA, SIERRA, SISKIYOU, SUTTER, TEHAMA, TRINITY, YOLO, YUBA COUNTIES.....\$ 36.46 27.30

LABORER, CONSTRUCTION CRAFT LABORERS - AREA B: GROUP 4: FINAL CLEAN-UP WORK OF DEBRIS, GROUNDS AND BUILDING INCLUDING BUT NOT LIMITED TO: STREET CLEANER; CLEANING AND WASHING WINDOWS; BRICK CLEANER (JOBSITE ONLY); MATERIAL CLEANER (JOBSITE ONLY). THE CLASSIFICATION ""MATERIAL CLEANER"" IS TO BE UTILIZED UNDER THE FOLLOWING CONDITIONS:

A: AT DEMOLITION SITE FOR THE SALVAGE OF THE MATERIAL. B: AT THE CONCLUSION OF A JOB WHERE THE MATERIAL IS TO BE SALVAGED AND STOCKED TO BE REUSED ON ANOTHER JOB. C: FOR THE CLEANING OF SALVAGE MATERIAL AT THE JOBSITE OR TEMPORARY JOBSITE YARD. THE MATERIAL CLEANER CLASSIFICATION SHOULD NOT BE USED IN THE PERFORMANCE OF ""FORM STRIPPING, CLEANING AND OILING AND MOVING TO THE NEXT POINT OF ERECTION"".

(ALPINE, AMADOR, BUTTE, COLUSA, EL DORADO, GLENN, LASSEN, MODOC, NEVADA, PLACER, PLUMAS, SACRAMENTO, SHIASTA, SIERRA, SISKIYOU, SUTTER, TEHAMA, TRINITY, YOLO, YUBA COUNTIES) FOOTNOTES: LABORERS WORKING OFF OR WITH OR FROM BOS'N CHAIRS, SWINGING SCAFFOLDS, BELTS SHALL RECEIVE \$0.25 PER HOUR ABOVE THE APPLICABLE WAGE RATE. Sewer cleaners shall receive \$4.00 per day above Group 1 wage rates. ""Sewer cleaner"" means any worker who handles or comes in contact with raw sewage in small diameter sewers. Those who work inside recently active, large diameter sewers, and all recently active sewer manholes shall receive \$5.00 per day above Group 1 wage rates.

Maintenance and repair track and road beds. All employees performing work covered herein shall receive \$.25 per hour above their regular rate for all work performed on underground structures not specifically covered herein. This paragraph shall not be construed to apply to work below ground level in open cut. It shall apply to cut and cover work of subway construction after the temporary cover has been placed.\$ 28.94

27.30

LABORER, CONSTRUCTION CRAFT LABORERS - AREA B: GROUP 3: CONSTRUCTION LABORERS, INCLUDING BRIDGE AND GENERAL LABORER; DUMP, LOAD SPOTTER; FLAG PERSON; FIRE WATCHER; FENCE ERECTOR; GUARDRAIL ERECTOR; GARDENER, HORTICULTURAL AND LANDSCAPE LABORER; JETTING; LIMBER, BRUSH LOADER AND PILER; PAVEMENT MARKER (BUTTON SETTER); MAINTENANCE, REPAIR TRACK AND ROAD BEDS; STREETCAR AND RAILROAD CONSTRUCTION TRACK LABORER; TEMPORARY AIR AND WATER LINES, VICTAULIC OR SIMILAR; TOOL ROOM ATTENDANT (JOBSITE ONLY) (ALPINE, AMADOR, BUTTE, COLUSA, EL DORADO, GLENN, LASSEN, MODOC, NEVADA, PLACER, PLUMAS, SACRAMENTO, SHIASTA, SIERRA, SISKIYOU, SUTTER, TEHAMA, TRINITY, YOLO, YUBA COUNTIES) FOOTNOTES: LABORERS WORKING OFF OR WITH OR FROM BOS'N CHAIRS, SWINGING SCAFFOLDS, BELTS SHALL RECEIVE \$0.25 PER HOUR ABOVE THE APPLICABLE WAGE RATE. Sewer cleaners shall receive \$4.00 per day above Group 1 wage rates. ""Sewer cleaner"" means any worker who handles or comes in contact with raw sewage in small diameter sewers. Those who work inside recently active, large diameter sewers, and all recently active sewer manholes shall receive \$5.00 per day above Group 1 wage rates.

Maintenance and repair track and road beds. All employees performing work covered herein shall receive \$.25 per hour above their regular rate for all work performed on underground structures not specifically covered herein. This paragraph shall not be construed to apply to work below ground level in open cut. It shall apply to cut and cover work of subway construction after the temporary cover has been placed.....\$ 35.25

27.30

LABORER, CONSTRUCTION CRAFT LABORERS - AREA B:
 GROUP 2: ASPHALT SHOVELER; CEMENT DUMPER AND
 HANDLING DRY CEMENT OR GYPSUM; CHOKE-SETTER AND
 RIGGER (CLEARING WORK); CONCRETE BUCKET DUMPER AND
 CHUTE; CONCRETE CHIPPING AND GRINDING; CONCRETE
 LABORER (WET OR DRY); DRILLER TENDER, CHUCK TENDER,
 NIPPER; GUINEA CHASER (STAKE), GROUT CREW; HIGH
 PRESSURE NOZZLE, ADDUCTOR; HYDRAULIC MONITOR (OVER
 100 LBS. PRESSURE); LOADING AND UNLOADING, CARRYING
 AND HAULING OF ALL RODS AND MATERIALS FOR USE IN
 REINFORCING CONCRETE CONSTRUCTION; PITTSBURGH
 CHIPPER AND SIMILAR TYPE BRUSH SHREDDERS; SLOPER;
 SINGLE FOOT, HAND-HELD, PNEUMATIC TAMPER; ALL
 PNEUMATIC, AIR, GAS AND ELECTRIC TOOLS NOT LISTED
 IN GROUPS 1 THROUGH 1-F; JACKING OF PIPE - UNDER 12
 INCHES (ALPINE, AMADOR, BUTTE, COLUSA, EL DORADO,
 GLENN, LASSEN, MODOC, NEVADA, PLACER, PLUMAS,
 SACRAMENTO, SHIASTA, SIERRA, SISKIYOU, SUTTER,
 TEHAMA, TRINITY, YOLO, YUBA COUNTIES) FOOTNOTES:
 LABORERS WORKING OFF OR WITH OR FROM BOS'N CHAIRS,
 SWINGING SCAFFOLDS, BELTS SHALL RECEIVE \$0.25 PER
 HOUR ABOVE THE APPLICABLE WAGE RATE.

Sewer
 cleaners shall receive \$4.00 per day above Group 1
 wage rates. ""Sewer cleaner"" means any worker who
 handles or comes in contact with raw sewage in
 small diameter sewers. Those who work inside
 recently active, large diameter sewers, and all
 recently active sewer manholes shall receive \$5.00
 per day above Group 1 wage rates.

Maintenance and repair track and road beds. All
 employees performing work covered herein shall
 receive \$.25 per hour above their regular rate for
 all work performed on underground structures not
 specifically covered herein. This paragraph shall
 not be construed to apply to work below ground
 level in open cut. It shall apply to cut and cover
 work of subway construction after the temporary
 cover has been placed.....\$ 35.35

27.30

LABORER, CONSTRUCTION CRAFT LABORERS - AREA B:
 GROUP 1-E: WORK ON AND/OR IN BELL HOLE FOOTINGS
 AND SHAFTS THEREOF, AND WORK ON AND IN DEEP
 FOOTINGS. (A DEEP FOOTING IS A HOLE 15 FEET OR
 MORE IN DEPTH.) IN THE EVENT THE DEPTH OF THE
 FOOTING IS UNKNOWN AT THE COMMENCEMENT OF
 EXCAVATION, AND THE FINAL DEPTH EXCEEDS 15 FEET,
 THE DEEP FOOTING WAGE RATE WOULD APPLY TO ALL
 EMPLOYEES FOR EACH AND EVERY DAY WORKED ON OR IN
 THE EXCAVATION OF THE FOOTING FROM THE DATE OF
 INCEPTION. (ALPINE, AMADOR, BUTTE, COLUSA, EL
 DORADO, GLENN, LASSEN, MODOC, NEVADA, PLACER,
 PLUMAS, SACRAMENTO, SHIASTA, SIERRA, SISKIYOU,
 SUTTER, TEHAMA, TRINITY, YOLO, YUBA COUNTIES) WORK
 ON AND/OR IN BELL HOLE FOOTINGS AND SHAFTS THEREOF,
 AND WORK ON AND IN DEEP FOOTINGS. (A DEEP FOOTING
 IS A HOLE 15 FEET OR MORE IN DEPTH.) FOOTNOTES:
 LABORERS WORKING OFF OR WITH OR FROM BOS'N CHAIRS,
 SWINGING SCAFFOLDS, BELTS SHALL RECEIVE \$0.25 PER
 HOUR ABOVE THE APPLICABLE WAGE RATE. Sewer
 cleaners shall receive \$4.00 per day above Group 1
 wage rates. ""Sewer cleaner"" means any worker who
 handles or comes in contact with raw sewage in
 small diameter sewers. Those who work inside
 recently active, large diameter sewers, and all
 recently active sewer manholes shall receive \$5.00
 per day above Group 1 wage rates.

Maintenance and repair track and road beds. All employees performing work covered herein shall receive \$.25 per hour above their regular rate for all work performed on underground structures not specifically covered herein. This paragraph shall not be construed to apply to work below ground level in open cut. It shall apply to cut and cover work of subway construction after the temporary cover has been placed.....\$ 36.05

27.30

LABORER, CONSTRUCTION CRAFT LABORERS - AREA B:
 GROUP 1-C: BURNING AND WELDING IN CONNECTION WITH LABORERS' WORK; SYNTHETIC THERMOPLASTICS AND SIMILAR TYPE WELDING (ALPINE, AMADOR, BUTTE, COLUSA, EL DORADO, GLENN, LASSEN, MODOC, NEVADA, PLACER, PLUMAS, SACRAMENTO, SHIASTA, SIERRA, SISKIYOU, SUTTER, TEHAMA, TRINITY, YOLO, YUBA COUNTIES) FOOTNOTES: LABORERS WORKING OFF OR WITH OR FROM BOS'N CHAIRS, SWINGING SCAFFOLDS, BELTS SHALL RECEIVE \$0.25 PER HOUR ABOVE THE APPLICABLE WAGE RATE.

Sewer cleaners shall receive \$4.00 per day above Group 1 wage rates. ""Sewer cleaner"" means any worker who handles or comes in contact with raw sewage in small diameter sewers. Those who work inside recently active, large diameter sewers, and all recently active sewer manholes shall receive \$5.00 per day above Group 1 wage rates.

Maintenance and repair track and road beds. All employees performing work covered herein shall receive \$.25 per hour above their regular rate for all work performed on underground structures not specifically covered herein. This paragraph shall not be construed to apply to work below ground level in open cut. It shall apply to cut and cover work of subway construction after the temporary cover has been placed.....\$ 35.55

27.30

LABORER, CONSTRUCTION CRAFT LABORERS - AREA B:
 GROUP 1-A: JOY DRILL MODEL TWM-2A; GARDNER-DENVER MODEL DH143 AND SIMILAR TYPE DRILLS; TRACK DRILLER; JACK LEG DRILLER; WAGON DRILLER; MECHANICAL DRILLERS, ALL TYPES REGARDLESS OF TYPE OR METHOD OF POWER; MECHANICAL PIPE LAYERS, ALL TYPES REGARDLESS OF TYPE OR METHOD OF POWER; BLASTER AND POWDER; ALL WORK OF LOADING, PLACING AND BLASTING OF ALL POWDER AND EXPLOSIVES OF WHATEVER TYPE REGARDLESS OF METHOD USED FOR SUCH LOADING AND PLACING; HIGH SCALERS (INCLUDING DRILLING OF SAME); TREE TOPPER; BIT GRINDER (ALPINE, AMADOR, BUTTE, COLUSA, EL DORADO, GLENN, LASSEN, MODOC, NEVADA, PLACER, PLUMAS, SACRAMENTO, SHIASTA, SIERRA, SISKIYOU, SUTTER, TEHAMA, TRINITY, YOLO, YUBA COUNTIES)

Sewer cleaners shall receive \$4.00 per day above Group 1 wage rates. ""Sewer cleaner"" means any worker who handles or comes in contact with raw sewage in small diameter sewers. Those who work inside recently active, large diameter sewers, and all recently active sewer manholes shall receive \$5.00 per day above Group 1 wage rates.

Maintenance and repair track and road beds. All employees performing work covered herein shall receive \$.25 per hour above their regular rate for all work performed on underground structures not specifically covered herein. This paragraph shall not be construed to apply to work below ground level in open cut. It shall apply to cut and cover

work of subway construction after the temporary cover has been placed.....\$ 35.72 27.30

LABORER, CONSTRUCTION CRAFT LABORERS - AREA B: GROUP 1 LABORER CLASSIFICATIONS CONSTRUCTION SPECIALIST GROUP: ASPHALT IRONER AND RAKER; CHAINSAW; LASER BEAM IN CONNECTION WITH LABORERS' WORK; CAST-IN- PLACE MANHOLE FORM SETTER; PRESSURE PIPELAYER; DAVIS TRENCHER - 300 OR SIMILAR TYPE (AND ALL SMALL TRENCHERS); BLASTER; DIAMOND DRILLER; MULTIPLE UNIT DRILL; HYDRAULIC DRILL. GROUP 1: ASPHALT SPREADER BOXES (ALL TYPES); BARKO, WACKER AND SIMILAR TYPE TAMPERS; BUGGYMOBILE; CAULKER, BANDER, PIPEWRAPPER, CONDUIT LAYER, PLASTIC PIPELAYER; CERTIFIED HAZARDOUS WASTE WORKER INCLUDING LEADE ABATEMENT; COMPACTORS OF ALL TYPES; CONCRETE AND MAGNESITE MIXER, 1/2 YD. AND UNDER; CONCRETE PAN WORK; CONCRETE SANDER; CONCRETE SAW; CRIBBER AND/OR SHORING; CUT GRANITE CURB SETTER; DRI-PAK-IT MACHINE; FALLER, LOGLOADER AND BUCKER; FORM RAISER, SLIP FORMS; GREEN CUTTER; HEADERBOARD, HUBSETTER, ALIGNER, BY ANY METHOD; HIGH PRESSURE BLOW PIPE (1-1/2" OR OVER, 100 LBS. PRESSURE/OVER); HYDRO SEEDER AND SIMILAR TYPE; JACKHAMMER OPERATOR; JACKING OF PIPE OVER 12 INCHES; JACKSON AND SIMILAR TYPE COMPACTOR; KETTLE TENDER, POT AND WORKER APPLYING ASPHALT, LAY-KOLD, CREOSOTE, LIME, CAUSTIC AND SIMILAR TYPE MATERIALS (APPLYING MEANS APPLYING, DIPPING OR HANDLING OF SUCH MATERIALS); LAGGING, SHEETING, WHALING, BRACING, TRENCHJACKING, LAGGING HAMMER; MAGNESITE, EPOXYRESIN, FIBERGLASS, MASTIC WORKER (WET OR DRY); NO JOINT PIPE AND STRIPPING OF SAME, INCLUDING REPAIR OF VOIDS; PAVEMENT BREAKER AND SPADER, INCLUDING TOOL GRINDER; PERMA CURB; PIPELAYER (INCLUDING GRADE CHECKING IN CONNECTION WITH PIPELAYING); PRECAST-MANHOLE SETTER; PRESSURE PIPE TESTER; POST HOLE DIGGER, AIR, GAS AND ELECTRIC; POWER BROOM SWEEPER; POWER TAMPERS OF ALL TYPES (EXCEPT AS SHOWN IN GROUP 2); RAM SET GUN AND STUD GUN; RIPRAP STONEPAVER AND ROCK-SLINGER, INCLUDING PLACING OF SACKED CONCRETE AND/OR SAND (WET OR DRY) AND GABIONS AND SIMILAR TYPE; ROTARY SCARIFIER OR MULTIPLE HEAD CONCRETE CHIPPING SCARIFIER; ROTO AND DITCH WITCH; ROTOTILLER; SANDBLASTER, POT, GUN, NOZZLE OPERATORS; SIGNALLING AND RIGGING; TANK CLEANER; TREE CLIMBER; TURBO BLASTER; VIBRASCREED, BULL FLOAT IN CONNECTION WITH LABORERS' WORK; VIBRATOR; HAZARDOUS WASTE WORKER (LEAD REMOVAL); ASBESTOS AND MOLD REMOVAL WORKER GROUP 1-B: SEWER CLEANERS SHALL RECEIVE \$4.00 PER DAY ABOVE GROUP 1 WAGE RATES. ""SEWER CLEANER"" MEANS ANY WORKER WHO HANDLES OR COMES IN CONTACT WITH RAW SEWAGE IN SMALL DIAMETER SEWERS. THOSE WHO WORK INSIDE RECENTLY ACTIVE, LARGE DIAMETER SEWERS, AND ALL RECENTLY ACTIVE SEWER MANHOLES SHAL RECEIVE \$5.00 PER DAY ABOVE GROUP 1 WAGE RATES. GROUP 1-D: MAINTENANCE AND REPAIR TRACK AND ROAD BEDS. ALL EMPLOYEES PERFORMING WORK COVERED HEREIN SHALL RECEIVE \$.25 PER HOUR ABOVE THEIR REGULAR RATE FOR ALL WORK PERFORMED ON UNDERGROUND STRUCTURES NOT SPECIFICALLY COVERED HEREIN. THIS PARAGRAPH SHALL NOT BE CONSTRUED TO APPLY TO WORK BELOW GROUND LEVEL IN OPEN CUT. IT SHALL APPLY TO CUT AND COVER WORK OF SUBWAY CONSTRUCTION AFTER THE TEMPORARY COVER HAS BEEN PLACED. FOOTNOTES: LABORERS

WORKING OFF OR WITH OR FROM BOS'N CHAIRS, SWINGING SCAFFOLDS, BELTS SHALL RECEIVE \$0.25 PER HOUR ABOVE THE APPLICABLE WAGE RATE. THIS SHALL NOT APPLY TO WORKERS ENTITLED TO RECEIVE THE WAGE RATE SET FORTH IN GROUP 1-A BELOW.

ALPINE, AMADOR, BUTTE, COLUSA, EL DORADO, GLENN, LASSEN, MODOC, NEVADA, PLACER, PLUMAS, SACRAMENTO, SHIASTA, SIERRA, SISKIYOU, SUTTER, TEHAMA, TRINITY, YOLO, YUBA COUNTIES.....\$ 35.50

27.30

LABORER (CONSTRUCTION CRAFT LABORERS - AREA B:): CONSTRUCTION SPECIALIST GROUP ASPHALT IRONER AND RAKER; CHAINSAW; LASER BEAM IN CONNECTION WITH LABORERS' WORK; CAST-IN- PLACE MANHOLE FORM SETTER; PRESSURE PIPELAYER; DAVIS TRENCHER - 300 OR SIMILAR TYPE (AND ALL SMALL TRENCHERS); BLASTER; DIAMOND DRILLER; MULTIPLE UNIT DRILL; HYDRAULIC DRILL ALPINE, AMADOR, BUTTE, COLUSA, EL DORADO, GLENN, LASSEN, MODOC, NEVADA, PLACER, PLUMAS, SACRAMENTO, SHIASTA, SIERRA, SISKIYOU, SUTTER, TEHAMA, TRINITY, YOLO, YUBA COUNTIES FOOTNOTES: LABORERS WORKING OFF OR WITH OR FROM BOS'N CHAIRS, SWINGING SCAFFOLDS, BELTS SHALL RECEIVE \$0.25 PER HOUR ABOVE THE APPLICABLE WAGE RATE. THIS SHALL NOT APPLY TO WORKERS ENTITLED TO RECEIVE THE WAGE RATE SET FORTH IN GROUP 1-A BELOW.

SEWER CLEANERS SHALL RECEIVE \$4.00 PER DAY ABOVE GROUP 1 WAGE RATES. ""SEWER CLEANER"" MEANS ANY WORKER WHO HANDLES OR COMES IN CONTACT WITH RAW SEWAGE IN SMALL DIAMETER SEWERS. THOSE WHO WORK INSIDE RECENTLY ACTIVE, LARGE DIAMETER SEWERS, AND ALL RECENTLY ACTIVE SEWER MANHOLES SHAL RECEIVE \$5.00 PER DAY ABOVE GROUP 1 WAGE RATES.

MAINTENANCE AND REPAIR TRACK AND ROAD BEDS. ALL EMPLOYEES PERFORMING WORK COVERED HEREIN SHALL RECEIVE \$.25 PER HOUR ABOVE THEIR REGULAR RATE FOR ALL WORK PERFORMED ON UNDERGROUND STRUCTURES NOT SPECIFICALLY COVERED HEREIN. THIS PARAGRAPH SHALL NOT BE CONSTRUED TO APPLY TO WORK BELOW GROUND LEVEL IN OPEN CUT. IT SHALL APPLY TO CUT AND COVER WORK OF SUBWAY CONSTRUCTION AFTER THE TEMPORARY COVER HAS BEEN PLACED. FOOTNOTES: LABORERS

WORKING OFF OR WITH OR FROM BOS'N CHAIRS, SWINGING SCAFFOLDS, BELTS SHALL RECEIVE \$0.25 PER HOUR ABOVE THE APPLICABLE WAGE RATE. THIS SHALL NOT APPLY TO WORKERS ENTITLED TO RECEIVE THE WAGE RATE SET FORTH IN GROUP 1-A BELOW.....\$ 36.20

27.30

LABO0185-008 07/01/2023

Rates

Fringes

PLASTERER TENDER WORK ON A SWING STAGE SCAFFOLD: \$1.00 PER HOUR ADDITIONAL.....\$ 39.77

28.54

LABO0261-002 07/01/2023

Rates

Fringes

LABORER, TRAFFIC CONTROL/LANE CLOSURE: TRAFFIC CONTROL PERSON II INSTALLATION AND REMOVAL OF TEMPORARY/PERMANENT SIGNS, MARKERS, DELINEATORS AND CRASH CUSHIONS. MARIN COUNTY.....\$ 35.06

27.30

LABORER, TRAFFIC CONTROL/LANE CLOSURE: TRAFFIC CONTROL PERSON I LAYOUT OF TRAFFIC CONTROL, CRASH CUSHIONS, CONSTRUCTION AREA AND ROADSIDE SIGNAGE. MARIN COUNTY.....\$ 37.56

27.30

LABORER, TRAFFIC CONTROL/LANE CLOSURE: ESCORT

DRIVER, FLAG PERSON (MARIN COUNTY).....\$ 37.26 27.30

LAB00261-004 06/26/2023

Rates Fringes

TUNNEL AND SHAFT LABORERS: SHOTCRETE SPECIALIST
 MARIN COUNTY.....\$ 46.41 27.72
 TUNNEL AND SHAFT LABORERS: GROUP 5 GROUT CREW;
 REBOUNDMAN; SWAMPER/ BRAKEMAN (MARIN COUNTY).....\$ 44.42 27.72
 TUNNEL AND SHAFT LABORERS: GROUP 4 VIBRATOR
 OPERATOR, PAVEMENT BREAKER; BULL GANG - MUCKERS,
 TRACKMEN; CONCRETE CREW - INCLUDES RODDING AND
 SPREADING, DUMP MEN (ANY METHOD) (MARIN COUNTY).....\$ 44.96 27.72
 TUNNEL AND SHAFT LABORERS: GROUP 3 BIT GRINDER;
 BLASTER, DRILLER, POWDERMEN, HEADING; CHERRY
 PICKERMEN - WHERE CAR IS LIFTED; CONCRETE FINISHER
 IN TUNNEL; CONCRETE SCREEDMAN; GROUT PUMPMAN AND
 POTMAN; GUNITE & SHOTCRETE GUNMAN & POTMAN;
 HEADERMAN; HIGH PRESSURE NOZZLEMAN; MINER - TUNNEL,
 INCLUDING TOP AND BOTTOM MAN ON SHAFT AND RAISE
 WORK; NIPPER; NOZZLEMAN ON SLICK LINE; SANDBLASTER
 - POTMAN, ROBOTIC SHOTCRETE PLACER, SEGMENT
 ERECTOR, TUNNEL MUCK HAULER, STEEL FORM RAISER AND
 SETTER; TIMBERMAN, RETIMBERMAN (WOOD OR STEEL OR
 SUBSTITUTE MATERIALS THEREFORE); TUGGER (FOR TUNNEL
 LABORER WORK); CABLE TENDER; CHUCK TENDER;
 POWDERMAN - PRIMER HOUSE (MARIN COUNTY).....\$ 45.41 27.72
 TUNNEL AND SHAFT LABORERS: GROUP 2 RODMEN; SHAFT
 WORK & RAISE (BELOW ACTUAL OR EXCAVATED GROUND
 LEVEL) (MARIN COUNTY).....\$ 45.66 27.72
 TUNNEL AND SHAFT LABORERS: GROUP 1 DIAMOND DRILLER;
 GROUND MEN; GUNITE AND SHOTCRETE NOZZLEMEN (MARIN
 COUNTY).....\$ 45.89 27.72

LAB00261-007 07/01/2023

Rates Fringes

LABORER: MASON TENDER-BRICK MARIN COUNTY.....\$ 37.54 25.55

LAB00261-010 06/26/2023

Rates Fringes

LABORER: GARDENERS, HORTICULTURAL & LANDSCAPE
 LABORERS - AREA A: (MARIN COUNTY)- (2)
 Establishment Warranty Period.....\$ 29.94 27.30
 LABORER: GARDENERS, HORTICULTURAL & LANDSCAPE
 LABORERS - AREA A: (MARIN COUNTY)- (1) New
 Construction.....\$ 36.25 27.30
 LABORER, WRECKING - AREA A:: GROUP 1 (MARIN COUNTY).\$ 36.50 27.30
 LABORER, WRECKING - AREA A: GROUP 2 Semi-skilled
 wrecker (salvaging of other building materials)
 (MARIN COUNTY) FOOTNOTES: LABORERS WORKING OFF
 OR WITH OR FROM BOS'N CHAIRS, SWINGING SCAFFOLDS,
 BELTS SHALL RECEIVE \$0.25 PER HOUR ABOVE THE
 APPLICABLE WAGE RATE. THIS SHALL NOT APPLY TO
 WORKERS ENTITLED TO RECEIVE THE WAGE RATE SET FORTH
 IN GROUP 1-A BELOW.....\$ 36.35 27.30
 LABORER, GUNITE - AREA A:: GROUP 1 (MARIN COUNTY)...\$ 37.46 27.30
 LABORER, GUNITE - AREA A: GROUP 4 GUNITE LABORER
 (MARIN COUNTY) FOOTNOTES: LABORERS WORKING OFF
 OR WITH OR FROM BOS'N CHAIRS, SWINGING SCAFFOLDS,
 BELTS SHALL RECEIVE \$0.25 PER HOUR ABOVE THE
 APPLICABLE WAGE RATE. THIS SHALL NOT APPLY TO
 WORKERS ENTITLED TO RECEIVE THE WAGE RATE SET FORTH
 IN GROUP 1-A BELOW.....\$ 36.25 27.30

LABORER, GUNITE - AREA A: GROUP 3 REBOUNDMAN (MARIN COUNTY) FOOTNOTES: LABORERS WORKING OFF OR WITH OR FROM BOS'N CHAIRS, SWINGING SCAFFOLDS, BELTS SHALL RECEIVE \$0.25 PER HOUR ABOVE THE APPLICABLE WAGE RATE. THIS SHALL NOT APPLY TO WORKERS ENTITLED TO RECEIVE THE WAGE RATE SET FORTH IN GROUP 1-A BELOW.....\$ 36.37 27.30

LABORER, GUNITE - AREA A: GROUP 2 NOZZLEMAN, GUNMAN, POTMAN, GROUNDMAN (MARIN COUNTY) FOOTNOTES: LABORERS WORKING OFF OR WITH OR FROM BOS'N CHAIRS, SWINGING SCAFFOLDS, BELTS SHALL RECEIVE \$0.25 PER HOUR ABOVE THE APPLICABLE WAGE RATE. THIS SHALL NOT APPLY TO WORKERS ENTITLED TO RECEIVE THE WAGE RATE SET FORTH IN GROUP 1-A BELOW..\$ 36.96 27.30

LABORER, CONSTRUCTION CRAFT LABORERS - AREA A:: GROUP 1 (MARIN COUNTY).....\$ 36.50 27.30

LABORER, CONSTRUCTION CRAFT LABORERS - AREA A: GROUP 4 FINAL CLEAN-UP WORK OF DEBRIS, GROUNDS AND BUILDING INCLUDING BUT NOT LIMITED TO: STREET CLEANER; CLEANING AND WASHING WINDOWS; BRICK CLEANER (JOBSITE ONLY); MATERIAL CLEANER (JOBSITE ONLY). THE CLASSIFICATION ""MATERIAL CLEANER"" IS TO BE UTILIZED UNDER THE FOLLOWING CONDITIONS:
 A: AT DEMOLITION SITE FOR THE SALVAGE OF THE MATERIAL. B: AT THE CONCLUSION OF A JOB WHERE THE MATERIAL IS TO BE SALVAGED AND STOCKED TO BE REUSED ON ANOTHER JOB. C: FOR THE CLEANING OF SALVAGE MATERIAL AT THE JOBSITE OR TEMPORARY JOBSITE YARD. THE MATERIAL CLEANER CLASSIFICATION SHOULD NOT BE USED IN THE PERFORMANCE OF ""FORM STRIPPING, CLEANING AND OILING AND MOVING TO THE NEXT POINT OF ERECTION"".

(MARIN COUNTY) FOOTNOTES:
 LABORERS WORKING OFF OR WITH OR FROM BOS'N CHAIRS, SWINGING SCAFFOLDS, BELTS SHALL RECEIVE \$0.25 PER HOUR ABOVE THE APPLICABLE WAGE RATE. THIS SHALL NOT APPLY TO WORKERS ENTITLED TO RECEIVE THE WAGE RATE SET FORTH IN GROUP 1-A BELOW. SEWER CLEANERS SHALL RECEIVE \$4.00 PER DAY ABOVE GROUP 1 WAGE RATES. ""SEWER CLEANER"" MEANS ANY WORKER WHO HANDLES OR COMES IN CONTACT WITH RAW SEWAGE IN SMALL DIAMETER SEWERS. THOSE WHO WORK INSIDE RECENTLY ACTIVE, LARGE DIAMETER SEWERS, AND ALL RECENTLY ACTIVE SEWER MANHOLES SHAL RECEIVE \$5.00 PER DAY ABOVE GROUP 1 WAGE RATES. MAINTENANCE AND REPAIR TRACK AND ROAD BEDS. ALL EMPLOYEES PERFORMING WORK COVERED HEREIN SHALL RECEIVE \$.25 PER HOUR ABOVE THEIR REGULAR RATE FOR ALL WORK PERFORMED ON UNDERGROUND STRUCTURES NOT SPECIFICALLY COVERED HEREIN. THIS PARAGRAPH SHALL NOT BE CONSTRUED TO APPLY TO WORK BELOW GROUND LEVEL IN OPEN CUT. IT SHALL APPLY TO CUT AND COVER WORK OF SUBWAY CONSTRUCTION AFTER THE TEMPORARY COVER HAS BEEN PLACED.....\$ 29.94 27.30

LABORER, CONSTRUCTION CRAFT LABORERS - AREA A: GROUP 3 CONSTRUCTION LABORERS, INCLUDING BRIDGE AND GENERAL LABORER; DUMP, LOAD SPOTTER; FLAG PERSON; FIRE WATCHER; FENCE ERECTOR; GUARDRAIL ERECTOR; GARDENER, HORTICULTURAL AND LANDSCAPE LABORER; JETTING; LIMBER, BRUSH LOADER AND PILER; PAVEMENT MARKER (BUTTON SETTER); MAINTENANCE, REPAIR TRACK AND ROAD BEDS; STREETCAR AND RAILROAD CONSTRUCTION TRACK LABORER; TEMPORARY AIR AND WATER LINES, VICTAULIC OR SIMILAR; TOOL ROOM ATTENDANT (JOBSITE ONLY) (MARIN COUNTY) FOOTNOTES:

LABORERS WORKING OFF OR WITH OR FROM BOS'N CHAIRS, SWINGING SCAFFOLDS, BELTS SHALL RECEIVE \$0.25 PER HOUR ABOVE THE APPLICABLE WAGE RATE. THIS SHALL NOT APPLY TO WORKERS ENTITLED TO RECEIVE THE WAGE RATE SET FORTH IN GROUP 1-A BELOW. SEWER CLEANERS SHALL RECEIVE \$4.00 PER DAY ABOVE GROUP 1 WAGE RATES. ""SEWER CLEANER"" MEANS ANY WORKER WHO HANDLES OR COMES IN CONTACT WITH RAW SEWAGE IN SMALL DIAMETER SEWERS. THOSE WHO WORK INSIDE RECENTLY ACTIVE, LARGE DIAMETER SEWERS, AND ALL RECENTLY ACTIVE SEWER MANHOLES SHAL RECEIVE \$5.00 PER DAY ABOVE GROUP 1 WAGE RATES. MAINTENANCE AND REPAIR TRACK AND ROAD BEDS. ALL EMPLOYEES PERFORMING WORK COVERED HEREIN SHALL RECEIVE \$.25 PER HOUR ABOVE THEIR REGULAR RATE FOR ALL WORK PERFORMED ON UNDERGROUND STRUCTURES NOT SPECIFICALLY COVERED HEREIN. THIS PARAGRAPH SHALL NOT BE CONSTRUED TO APPLY TO WORK BELOW GROUND LEVEL IN OPEN CUT. IT SHALL APPLY TO CUT AND COVER WORK OF SUBWAY CONSTRUCTION AFTER THE TEMPORARY COVER HAS BEEN PLACED.....\$ 36.25

27.30

LABORER, CONSTRUCTION CRAFT LABORERS - AREA A: GROUP 2 ASPHALT SHOVELER; CEMENT DUMPER AND HANDLING DRY CEMENT OR GYPSUM; CHOKE-SETTER AND RIGGER (CLEARING WORK); CONCRETE BUCKET DUMPER AND CHUTE; CONCRETE CHIPPING AND GRINDING; CONCRETE LABORER (WET OR DRY); DRILLER TENDER, CHUCK TENDER, NIPPER; GUINEA CHASER (STAKE), GROUT CREW; HIGH PRESSURE NOZZLE, ADDUCTOR; HYDRAULIC MONITOR (OVER 100 LBS. PRESSURE); LOADING AND UNLOADING, CARRYING AND HAULING OF ALL RODS AND MATERIALS FOR USE IN REINFORCING CONCRETE CONSTRUCTION; PITTSBURGH CHIPPER AND SIMILAR TYPE BRUSH SHREDDERS; SLOPER; SINGLE FOOT, HAND-HELD, PNEUMATIC TAMPER; ALL PNEUMATIC, AIR, GAS AND ELECTRIC TOOLS NOT LISTED IN GROUPS 1 THROUGH 1-F; JACKING OF PIPE - UNDER 12 INCHES (MARIN COUNTY) FOOTNOTES: LABORERS WORKING OFF OR WITH OR FROM BOS'N CHAIRS, SWINGING SCAFFOLDS, BELTS SHALL RECEIVE \$0.25 PER HOUR ABOVE THE APPLICABLE WAGE RATE. THIS SHALL NOT APPLY TO WORKERS ENTITLED TO RECEIVE THE WAGE RATE SET FORTH IN GROUP 1-A BELOW. SEWER CLEANERS SHALL RECEIVE \$4.00 PER DAY ABOVE GROUP 1 WAGE RATES. ""SEWER CLEANER"" MEANS ANY WORKER WHO HANDLES OR COMES IN CONTACT WITH RAW SEWAGE IN SMALL DIAMETER SEWERS. THOSE WHO WORK INSIDE RECENTLY ACTIVE, LARGE DIAMETER SEWERS, AND ALL RECENTLY ACTIVE SEWER MANHOLES SHAL RECEIVE \$5.00 PER DAY ABOVE GROUP 1 WAGE RATES. MAINTENANCE AND REPAIR TRACK AND ROAD BEDS. ALL EMPLOYEES PERFORMING WORK COVERED HEREIN SHALL RECEIVE \$.25 PER HOUR ABOVE THEIR REGULAR RATE FOR ALL WORK PERFORMED ON UNDERGROUND STRUCTURES NOT SPECIFICALLY COVERED HEREIN. THIS PARAGRAPH SHALL NOT BE CONSTRUED TO APPLY TO WORK BELOW GROUND LEVEL IN OPEN CUT. IT SHALL APPLY TO CUT AND COVER WORK OF SUBWAY CONSTRUCTION AFTER THE TEMPORARY COVER HAS BEEN PLACED.....\$ 36.35

27.30

LABORER, CONSTRUCTION CRAFT LABORERS - AREA A: GROUP 1-E WORK ON AND/OR IN BELL HOLE FOOTINGS AND SHAFTS THEREOF, AND WORK ON AND IN DEEP FOOTINGS. (A DEEP FOOTING IS A HOLE 15 FEET OR MORE IN DEPTH.) IN THE EVENT THE DEPTH OF THE FOOTING IS UNKNOWN AT THE COMMENCEMENT OF EXCAVATION, AND THE FINAL DEPTH EXCEEDS 15 FEET, THE DEEP FOOTING WAGE RATE WOULD APPLY TO ALL EMPLOYEES FOR EACH AND

EVERY DAY WORKED ON OR IN THE EXCAVATION OF THE FOOTING FROM THE DATE OF INCEPTION. (MARIN COUNTY)

FOOTNOTES: LABORERS WORKING OFF OR WITH OR FROM BOS'N CHAIRS, SWINGING SCAFFOLDS, BELTS SHALL RECEIVE \$0.25 PER HOUR ABOVE THE APPLICABLE WAGE RATE. THIS SHALL NOT APPLY TO WORKERS ENTITLED TO RECEIVE THE WAGE RATE SET FORTH IN GROUP 1-A BELOW.

SEWER CLEANERS SHALL RECEIVE \$4.00 PER DAY ABOVE GROUP 1 WAGE RATES. ""SEWER CLEANER"" MEANS ANY WORKER WHO HANDLES OR COMES IN CONTACT WITH RAW SEWAGE IN SMALL DIAMETER SEWERS. THOSE WHO WORK INSIDE RECENTLY ACTIVE, LARGE DIAMETER SEWERS, AND ALL RECENTLY ACTIVE SEWER MANHOLES SHAL RECEIVE \$5.00 PER DAY ABOVE GROUP 1 WAGE RATES.

MAINTENANCE AND REPAIR TRACK AND ROAD BEDS. ALL EMPLOYEES PERFORMING WORK COVERED HEREIN SHALL RECEIVE \$.25 PER HOUR ABOVE THEIR REGULAR RATE FOR ALL WORK PERFORMED ON UNDERGROUND STRUCTURES NOT SPECIFICALLY COVERED HEREIN. THIS PARAGRAPH SHALL NOT BE CONSTRUED TO APPLY TO WORK BELOW GROUND LEVEL IN OPEN CUT. IT SHALL APPLY TO CUT AND COVER WORK OF SUBWAY CONSTRUCTION AFTER THE TEMPORARY COVER HAS BEEN PLACED.....\$ 37.05

27.30

LABORER, CONSTRUCTION CRAFT LABORERS - AREA A: GROUP 1-C BURNING AND WELDING IN CONNECTION WITH LABORERS' WORK; SYNTHETIC THERMOPLASTICS AND SIMILAR TYPE WELDING(MARIN COUNTY) FOOTNOTES: LABORERS WORKING OFF OR WITH OR FROM BOS'N CHAIRS, SWINGING SCAFFOLDS, BELTS SHALL RECEIVE \$0.25 PER HOUR ABOVE THE APPLICABLE WAGE RATE. THIS SHALL NOT APPLY TO WORKERS ENTITLED TO RECEIVE THE WAGE RATE SET FORTH IN GROUP 1-A BELOW. SEWER CLEANERS SHALL RECEIVE \$4.00 PER DAY ABOVE GROUP 1 WAGE RATES. ""SEWER CLEANER"" MEANS ANY WORKER WHO HANDLES OR COMES IN CONTACT WITH RAW SEWAGE IN SMALL DIAMETER SEWERS. THOSE WHO WORK INSIDE RECENTLY ACTIVE, LARGE DIAMETER SEWERS, AND ALL RECENTLY ACTIVE SEWER MANHOLES SHAL RECEIVE \$5.00 PER DAY ABOVE GROUP 1 WAGE RATES. MAINTENANCE AND REPAIR TRACK AND ROAD BEDS. ALL EMPLOYEES PERFORMING WORK COVERED HEREIN SHALL RECEIVE \$.25 PER HOUR ABOVE THEIR REGULAR RATE FOR ALL WORK PERFORMED ON UNDERGROUND STRUCTURES NOT SPECIFICALLY COVERED HEREIN. THIS PARAGRAPH SHALL NOT BE CONSTRUED TO APPLY TO WORK BELOW GROUND LEVEL IN OPEN CUT. IT SHALL APPLY TO CUT AND COVER WORK OF SUBWAY CONSTRUCTION AFTER THE TEMPORARY COVER HAS BEEN PLACED.....\$ 36.55

27.30

LABORER, CONSTRUCTION CRAFT LABORERS - AREA A: GROUP 1-A JOY DRILL MODEL TWM-2A; GARDNER-DENVER MODEL DH143 AND SIMILAR TYPE DRILLS; TRACK DRILLER; JACK LEG DRILLER; WAGON DRILLER; MECHANICAL DRILLERS, ALL TYPES REGARDLESS OF TYPE OR METHOD OF POWER; MECHANICAL PIPE LAYERS, ALL TYPES REGARDLESS OF TYPE OR METHOD OF POWER; BLASTER AND POWDER; ALL WORK OF LOADING, PLACING AND BLASTING OF ALL POWDER AND EXPLOSIVES OF WHATEVER TYPE REGARDLESS OF METHOD USED FOR SUCH LOADING AND PLACING; HIGH SCALERS (INCLUDING DRILLING OF SAME); TREE TOPPER; BIT GRINDER (MARIN COUNTY) SEWER CLEANERS SHALL RECEIVE \$4.00 PER DAY ABOVE GROUP 1 WAGE RATES. ""SEWER CLEANER"" MEANS ANY WORKER WHO HANDLES OR COMES IN CONTACT WITH RAW SEWAGE IN SMALL DIAMETER SEWERS. THOSE WHO WORK INSIDE RECENTLY ACTIVE, LARGE DIAMETER SEWERS, AND ALL

RECENTLY ACTIVE SEWER MANHOLES SHAL RECEIVE \$5.00 PER DAY ABOVE GROUP 1 WAGE RATES. MAINTENANCE AND REPAIR TRACK AND ROAD BEDS. ALL EMPLOYEES PERFORMING WORK COVERED HEREIN SHALL RECEIVE \$.25 PER HOUR ABOVE THEIR REGULAR RATE FOR ALL WORK PERFORMED ON UNDERGROUND STRUCTURES NOT SPECIFICALLY COVERED HEREIN. THIS PARAGRAPH SHALL NOT BE CONSTRUED TO APPLY TO WORK BELOW GROUND LEVEL IN OPEN CUT. IT SHALL APPLY TO CUT AND COVER WORK OF SUBWAY CONSTRUCTION AFTER THE TEMPORARY COVER HAS BEEN PLACED.....\$ 36.72 27.30

LABORER, CONSTRUCTION CRAFT LABORERS - AREA A: CONSTRUCTION SPECIALIST GROUP ASPHALT IRONER AND RAKER; CHAINSAW; LASER BEAM IN CONNECTION WITH LABORERS' WORK; CAST-IN- PLACE MANHOLE FORM SETTER; PRESSURE PIPELAYER; DAVIS TRENCHER - 300 OR SIMILAR TYPE (AND ALL SMALL TRENCHERS); BLASTER; DIAMOND DRILLER; MULTIPLE UNIT DRILL; HYDRAULIC DRILL

MARIN COUNTY FOOTNOTES: LABORERS WORKING OFF OR WITH OR FROM BOS'N CHAIRS, SWINGING SCAFFOLDS, BELTS SHALL RECEIVE \$0.25 PER HOUR ABOVE THE APPLICABLE WAGE RATE. THIS SHALL NOT APPLY TO WORKERS ENTITLED TO RECEIVE THE WAGE RATE SET FORTH IN GROUP 1-A BELOW. SEWER CLEANERS SHALL RECEIVE \$4.00 PER DAY ABOVE GROUP 1 WAGE RATES. ""SEWER CLEANER"" MEANS ANY WORKER WHO HANDLES OR COMES IN CONTACT WITH RAW SEWAGE IN SMALL DIAMETER SEWERS. THOSE WHO WORK INSIDE RECENTLY ACTIVE, LARGE DIAMETER SEWERS, AND ALL RECENTLY ACTIVE SEWER MANHOLES SHAL RECEIVE \$5.00 PER DAY ABOVE GROUP 1 WAGE RATES. MAINTENANCE AND REPAIR TRACK AND ROAD BEDS. ALL EMPLOYEES PERFORMING WORK COVERED HEREIN SHALL RECEIVE \$.25 PER HOUR ABOVE THEIR REGULAR RATE FOR ALL WORK PERFORMED ON UNDERGROUND STRUCTURES NOT SPECIFICALLY COVERED HEREIN. THIS PARAGRAPH SHALL NOT BE CONSTRUED TO APPLY TO WORK BELOW GROUND LEVEL IN OPEN CUT. IT SHALL APPLY TO CUT AND COVER WORK OF SUBWAY CONSTRUCTION AFTER THE TEMPORARY COVER HAS BEEN PLACED.\$ 37.20 27.30

LAB00324-004 07/01/2023

Rates Fringes

LABORER, TRAFFIC CONTROL/LANE CLOSURE: TRAFFIC CONTROL PERSON II INSTALLATION AND REMOVAL OF TEMPORARY/PERMANENT SIGNS, MARKERS, DELINEATORS AND CRASH CUSHIONS. NAPA, SOLANO, AND SONOMA, COUNTIES.\$ 34.06 27.30

LABORER, TRAFFIC CONTROL/LANE CLOSURE: TRAFFIC CONTROL PERSON I LAYOUT OF TRAFFIC CONTROL, CRASH CUSHIONS, CONSTRUCTION AREA AND ROADSIDE SIGNAGE. NAPA, SOLANO, AND SONOMA, COUNTIES.....\$ 36.56 27.30

LABORER, TRAFFIC CONTROL/LANE CLOSURE: ESCORT DRIVER, FLAG PERSON NAPA, SOLANO, AND SONOMA, COUNTIES.....\$ 36.26 27.30

LAB00324-008 06/26/2023

Rates Fringes

TUNNEL AND SHAFT LABORERS: SHOTCRETE SPECIALIST NAPA, SOLANO, AND SONOMA COUNTIES.....\$ 46.41 27.72

TUNNEL AND SHAFT LABORERS: GROUP 5 GROUT CREW; REBOUNDMAN; SWAMPER/ BRAKEMAN (NAPA, SOLANO, AND SONOMA COUNTIES).....\$ 44.42 27.72

TUNNEL AND SHAFT LABORERS: GROUP 4 VIBRATOR

OPERATOR, PAVEMENT BREAKER; BULL GANG - MUCKERS, TRACKMEN; CONCRETE CREW - INCLUDES RODDING AND SPREADING, DUMP MEN (ANY METHOD) (NAPA, SOLANO, AND SONOMA COUNTIES).....	\$ 44.96	27.72
TUNNEL AND SHAFT LABORERS: GROUP 3 BIT GRINDER; BLASTER, DRILLER, POWDERMEN, HEADING; CHERRY PICKERMEN - WHERE CAR IS LIFTED; CONCRETE FINISHER IN TUNNEL; CONCRETE SCREEDMAN; GROUT PUMP MAN AND POTMAN; GUNITE & SHOTCRETE GUNMAN & POTMAN; HEADER MEN; HIGH PRESSURE NOZZLEMAN; MINER - TUNNEL, INCLUDING TOP AND BOTTOM MAN ON SHAFT AND RAISE WORK; NIPPER; NOZZLEMAN ON SLICK LINE; SANDBLASTER - POTMAN, ROBOTIC SHOTCRETE PLACER, SEGMENT ERECTOR, TUNNEL MUCK HAULER, STEEL FORM RAISER AND SETTER; TIMBERMAN, RETIMBERMAN (WOOD OR STEEL OR SUBSTITUTE MATERIALS THEREFORE); TUGGER (FOR TUNNEL LABORER WORK); CABLE TENDER; CHUCK TENDER; POWDERMAN - PRIMER HOUSE (NAPA, SOLANO, AND SONOMA COUNTIES).....	\$ 45.41	27.72
TUNNEL AND SHAFT LABORERS: GROUP 2 RODMEN; SHAFT WORK & RAISE (BELOW ACTUAL OR EXCAVATED GROUND LEVEL) (NAPA, SOLANO, AND SONOMA COUNTIES).....	\$ 45.66	27.72
TUNNEL AND SHAFT LABORERS: GROUP 1 DIAMOND DRILLER; GROUND MEN; GUNITE AND SHOTCRETE NOZZLEMEN (NAPA, SOLANO, AND SONOMA COUNTIES).....	\$ 45.89	27.72

LAB00324-010 07/01/2023

	Rates	Fringes
LABORER: MASON TENDER-BRICK SOLANO AND SONOMA COUNTIES.....	\$ 36.84	26.24

LAB00324-013 06/26/2023

	Rates	Fringes
LABORER: GARDENERS, HORTICULTURAL & LANDSCAPE LABORERS - AREA B: (NAPA, SOLANO, AND SONOMA COUNTIES)- (2) Establishment Warranty Period.....	\$ 28.94	27.30
LABORER: GARDENERS, HORTICULTURAL & LANDSCAPE LABORERS - AREA B: (NAPA, SOLANO, AND SONOMA COUNTIES)- (1) New Construction.....	\$ 35.25	27.30
LABORER, WRECKING - AREA B:: GROUP 1 (NAPA, SOLANO, AND SONOMA COUNTIES).....	\$ 35.50	27.30
LABORER, WRECKING - AREA B: GROUP 2 Semi-skilled wrecker (salvaging of other building materials) NAPA, SOLANO, AND SONOMA COUNTIES) FOOTNOTES: LABORERS WORKING OFF OR WITH OR FROM BOS'N CHAIRS, SWINGING SCAFFOLDS, BELTS SHALL RECEIVE \$0.25 PER HOUR ABOVE THE APPLICABLE WAGE RATE. THIS SHALL NOT APPLY TO WORKERS ENTITLED TO RECEIVE THE WAGE RATE SET FORTH IN GROUP 1-A BELOW.....	\$ 35.35	27.30
LABORER, GUNITE - AREA B:: GROUP 1 (NAPA, SOLANO, AND SONOMA COUNTIES).....	\$ 36.46	27.30
LABORER, GUNITE - AREA B: GROUP 4 GUNITE LABORER (NAPA, SOLANO, AND SONOMA COUNTIES) FOOTNOTES: LABORERS WORKING OFF OR WITH OR FROM BOS'N CHAIRS, SWINGING SCAFFOLDS, BELTS SHALL RECEIVE \$0.25 PER HOUR ABOVE THE APPLICABLE WAGE RATE. THIS SHALL NOT APPLY TO WORKERS ENTITLED TO RECEIVE THE WAGE RATE SET FORTH IN GROUP 1-A BELOW.....	\$ 35.25	27.30
LABORER, GUNITE - AREA B: GROUP 3 REBOUNDMAN (NAPA, SOLANO, AND SONOMA COUNTIES) FOOTNOTES: LABORERS WORKING OFF OR WITH OR FROM BOS'N CHAIRS, SWINGING SCAFFOLDS, BELTS SHALL RECEIVE \$0.25 PER HOUR ABOVE THE APPLICABLE WAGE RATE. THIS SHALL		

NOT APPLY TO WORKERS ENTITLED TO RECEIVE THE WAGE RATE SET FORTH IN GROUP 1-A BELOW.....\$ 35.37 27.30

LABORER, GUNITE - AREA B: GROUP 2 NOZZLEMAN, GUNMAN, POTMAN, GROUNDMAN (NAPA, SOLANO, AND SONOMA COUNTIES) FOOTNOTES: LABORERS WORKING OFF OR WITH OR FROM BOS'N CHAIRS, SWINGING SCAFFOLDS, BELTS SHALL RECEIVE \$0.25 PER HOUR ABOVE THE APPLICABLE WAGE RATE. THIS SHALL NOT APPLY TO WORKERS ENTITLED TO RECEIVE THE WAGE RATE SET FORTH

IN GROUP 1-A BELOW.\$ 35.96 27.30

LABORER, CONSTRUCTION CRAFT LABORERS - AREA B: GROUP 4 FINAL CLEAN-UP WORK OF DEBRIS, GROUNDS AND BUILDING INCLUDING BUT NOT LIMITED TO: STREET CLEANER; CLEANING AND WASHING WINDOWS; BRICK CLEANER (JOBSITE ONLY); MATERIAL CLEANER (JOBSITE ONLY). THE CLASSIFICATION ""MATERIAL CLEANER"" IS TO BE UTILIZED UNDER THE FOLLOWING CONDITIONS:
 A: AT DEMOLITION SITE FOR THE SALVAGE OF THE MATERIAL. B: AT THE CONCLUSION OF A JOB WHERE THE MATERIAL IS TO BE SALVAGED AND STOCKED TO BE REUSED ON ANOTHER JOB. C: FOR THE CLEANING OF SALVAGE MATERIAL AT THE JOBSITE OR TEMPORARY JOBSITE YARD. THE MATERIAL CLEANER CLASSIFICATION SHOULD NOT BE USED IN THE PERFORMANCE OF ""FORM STRIPPING, CLEANING AND OILING AND MOVING TO THE NEXT POINT OF ERECTION"".

(NAPA, SOLANO, AND SONOMA COUNTIES)

FOOTNOTES: LABORERS WORKING OFF OR WITH OR FROM BOS'N CHAIRS, SWINGING SCAFFOLDS, BELTS SHALL RECEIVE \$0.25 PER HOUR ABOVE THE APPLICABLE WAGE RATE. THIS SHALL NOT APPLY TO WORKERS ENTITLED TO RECEIVE THE WAGE RATE SET FORTH IN GROUP 1-A BELOW.

SEWER CLEANERS SHALL RECEIVE \$4.00 PER DAY ABOVE GROUP 1 WAGE RATES. ""SEWER CLEANER"" MEANS ANY WORKER WHO HANDLES OR COMES IN CONTACT WITH RAW SEWAGE IN SMALL DIAMETER SEWERS. THOSE WHO WORK INSIDE RECENTLY ACTIVE, LARGE DIAMETER SEWERS, AND ALL RECENTLY ACTIVE SEWER MANHOLES SHAL RECEIVE \$5.00 PER DAY ABOVE GROUP 1 WAGE RATES.

MAINTENANCE AND REPAIR TRACK AND ROAD BEDS. ALL EMPLOYEES PERFORMING WORK COVERED HEREIN SHALL RECEIVE \$.25 PER HOUR ABOVE THEIR REGULAR RATE FOR ALL WORK PERFORMED ON UNDERGROUND STRUCTURES NOT SPECIFICALLY COVERED HEREIN. THIS PARAGRAPH SHALL NOT BE CONSTRUED TO APPLY TO WORK BELOW GROUND LEVEL IN OPEN CUT. IT SHALL APPLY TO CUT AND COVER WORK OF SUBWAY CONSTRUCTION AFTER THE TEMPORARY COVER HAS BEEN PLACED.....\$ 28.94 27.30

LABORER, CONSTRUCTION CRAFT LABORERS - AREA B: GROUP 3 CONSTRUCTION LABORERS, INCLUDING BRIDGE AND GENERAL LABORER; DUMP, LOAD SPOTTER; FLAG PERSON; FIRE WATCHER; FENCE ERECTOR; GUARDRAIL ERECTOR; GARDENER, HORTICULTURAL AND LANDSCAPE LABORER; JETTING; LIMBER, BRUSH LOADER AND PILER; PAVEMENT MARKER (BUTTON SETTER); MAINTENANCE, REPAIR TRACK AND ROAD BEDS; STREETCAR AND RAILROAD CONSTRUCTION TRACK LABORER; TEMPORARY AIR AND WATER LINES, VICTAULIC OR SIMILAR; TOOL ROOM ATTENDANT (JOBSITE ONLY) (NAPA, SOLANO, AND SONOMA COUNTIES)

FOOTNOTES: LABORERS WORKING OFF OR WITH OR FROM BOS'N CHAIRS, SWINGING SCAFFOLDS, BELTS SHALL RECEIVE \$0.25 PER HOUR ABOVE THE APPLICABLE WAGE RATE. THIS SHALL NOT APPLY TO WORKERS ENTITLED TO RECEIVE THE WAGE RATE SET FORTH IN GROUP 1-A BELOW.

SEWER CLEANERS SHALL RECEIVE \$4.00 PER DAY ABOVE

GROUP 1 WAGE RATES. ""SEWER CLEANER"" MEANS ANY WORKER WHO HANDLES OR COMES IN CONTACT WITH RAW SEWAGE IN SMALL DIAMETER SEWERS. THOSE WHO WORK INSIDE RECENTLY ACTIVE, LARGE DIAMETER SEWERS, AND ALL RECENTLY ACTIVE SEWER MANHOLES SHAL RECEIVE \$5.00 PER DAY ABOVE GROUP 1 WAGE RATES. MAINTENANCE AND REPAIR TRACK AND ROAD BEDS. ALL EMPLOYEES PERFORMING WORK COVERED HEREIN SHALL RECEIVE \$.25 PER HOUR ABOVE THEIR REGULAR RATE FOR ALL WORK PERFORMED ON UNDERGROUND STRUCTURES NOT SPECIFICALLY COVERED HEREIN. THIS PARAGRAPH SHALL NOT BE CONSTRUED TO APPLY TO WORK BELOW GROUND LEVEL IN OPEN CUT. IT SHALL APPLY TO CUT AND COVER WORK OF SUBWAY CONSTRUCTION AFTER THE TEMPORARY COVER HAS BEEN PLACED.....\$ 35.25

27.30

LABORER, CONSTRUCTION CRAFT LABORERS - AREA B: GROUP 2 ASPHALT SHOVELER; CEMENT DUMPER AND HANDLING DRY CEMENT OR GYPSUM; CHOKE-SETTER AND RIGGER (CLEARING WORK); CONCRETE BUCKET DUMPER AND CHUTE; CONCRETE CHIPPING AND GRINDING; CONCRETE LABORER (WET OR DRY); DRILLER TENDER, CHUCK TENDER, NIPPER; GUINEA CHASER (STAKE), GROUT CREW; HIGH PRESSURE NOZZLE, ADDUCTOR; HYDRAULIC MONITOR (OVER 100 LBS. PRESSURE); LOADING AND UNLOADING, CARRYING AND HAULING OF ALL RODS AND MATERIALS FOR USE IN REINFORCING CONCRETE CONSTRUCTION; PITTSBURGH CHIPPER AND SIMILAR TYPE BRUSH SHREDDERS; SLOPER; SINGLE FOOT, HAND-HELD, PNEUMATIC TAMPER; ALL PNEUMATIC, AIR, GAS AND ELECTRIC TOOLS NOT LISTED IN GROUPS 1 THROUGH 1-F; JACKING OF PIPE - UNDER 12 INCHES (NAPA, SOLANO, AND SONOMA COUNTIES) FOOTNOTES: LABORERS WORKING OFF OR WITH OR FROM BOS'N CHAIRS, SWINGING SCAFFOLDS, BELTS SHALL RECEIVE \$0.25 PER HOUR ABOVE THE APPLICABLE WAGE RATE. THIS SHALL NOT APPLY TO WORKERS ENTITLED TO RECEIVE THE WAGE RATE SET FORTH IN GROUP 1-A BELOW.

SEWER CLEANERS SHALL RECEIVE \$4.00 PER DAY ABOVE GROUP 1 WAGE RATES. ""SEWER CLEANER"" MEANS ANY WORKER WHO HANDLES OR COMES IN CONTACT WITH RAW SEWAGE IN SMALL DIAMETER SEWERS. THOSE WHO WORK INSIDE RECENTLY ACTIVE, LARGE DIAMETER SEWERS, AND ALL RECENTLY ACTIVE SEWER MANHOLES SHAL RECEIVE \$5.00 PER DAY ABOVE GROUP 1 WAGE RATES. MAINTENANCE AND REPAIR TRACK AND ROAD BEDS. ALL EMPLOYEES PERFORMING WORK COVERED HEREIN SHALL RECEIVE \$.25 PER HOUR ABOVE THEIR REGULAR RATE FOR ALL WORK PERFORMED ON UNDERGROUND STRUCTURES NOT SPECIFICALLY COVERED HEREIN. THIS PARAGRAPH SHALL NOT BE CONSTRUED TO APPLY TO WORK BELOW GROUND LEVEL IN OPEN CUT. IT SHALL APPLY TO CUT AND COVER WORK OF SUBWAY CONSTRUCTION AFTER THE TEMPORARY COVER HAS BEEN PLACED.....\$ 35.35

27.30

LABORER, CONSTRUCTION CRAFT LABORERS - AREA B: GROUP 1-F WIRE WINDING MACHINE IN CONNECTION WITH GUNITING OR SHOT CRETE (NAPA, SOLANO, AND SONOMA COUNTIES) FOOTNOTES: LABORERS WORKING OFF OR WITH OR FROM BOS'N CHAIRS, SWINGING SCAFFOLDS, BELTS SHALL RECEIVE \$0.25 PER HOUR ABOVE THE APPLICABLE WAGE RATE. THIS SHALL NOT APPLY TO WORKERS ENTITLED TO RECEIVE THE WAGE RATE SET FORTH IN GROUP 1-A BELOW. SEWER CLEANERS SHALL RECEIVE \$4.00 PER DAY ABOVE GROUP 1 WAGE RATES. ""SEWER CLEANER"" MEANS ANY WORKER WHO HANDLES OR COMES IN CONTACT WITH RAW SEWAGE IN SMALL DIAMETER SEWERS. THOSE WHO WORK INSIDE RECENTLY ACTIVE, LARGE

DIAMETER SEWERS, AND ALL RECENTLY ACTIVE SEWER MANHOLES SHAL RECEIVE \$5.00 PER DAY ABOVE GROUP 1 WAGE RATES. MAINTENANCE AND REPAIR TRACK AND ROAD BEDS. ALL EMPLOYEES PERFORMING WORK COVERED HEREIN SHALL RECEIVE \$.25 PER HOUR ABOVE THEIR REGULAR RATE FOR ALL WORK PERFORMED ON UNDERGROUND STRUCTURES NOT SPECIFICALLY COVERED HEREIN. THIS PARAGRAPH SHALL NOT BE CONSTRUED TO APPLY TO WORK BELOW GROUND LEVEL IN OPEN CUT. IT SHALL APPLY TO CUT AND COVER WORK OF SUBWAY CONSTRUCTION AFTER THE TEMPORARY COVER HAS BEEN PLACED.....\$ 36.08

27.30

LABORER, CONSTRUCTION CRAFT LABORERS - AREA B: GROUP 1-E WORK ON AND/OR IN BELL HOLE FOOTINGS AND SHAFTS THEREOF, AND WORK ON AND IN DEEP FOOTINGS. (A DEEP FOOTING IS A HOLE 15 FEET OR MORE IN DEPTH.) IN THE EVENT THE DEPTH OF THE FOOTING IS UNKNOWN AT THE COMMENCEMENT OF EXCAVATION, AND THE FINAL DEPTH EXCEEDS 15 FEET, THE DEEP FOOTING WAGE RATE WOULD APPLY TO ALL EMPLOYEES FOR EACH AND EVERY DAY WORKED ON OR IN THE EXCAVATION OF THE FOOTING FROM THE DATE OF INCEPTION. (NAPA, SOLANO, AND SONOMA COUNTIES) FOOTNOTES: LABORERS WORKING OFF OR WITH OR FROM BOS'N CHAIRS, SWINGING SCAFFOLDS, BELTS SHALL RECEIVE \$0.25 PER HOUR ABOVE THE APPLICABLE WAGE RATE. THIS SHALL NOT APPLY TO WORKERS ENTITLED TO RECEIVE THE WAGE RATE SET FORTH IN GROUP 1-A BELOW. SEWER CLEANERS SHALL RECEIVE \$4.00 PER DAY ABOVE GROUP 1 WAGE RATES. ""SEWER CLEANER"" MEANS ANY WORKER WHO HANDLES OR COMES IN CONTACT WITH RAW SEWAGE IN SMALL DIAMETER SEWERS. THOSE WHO WORK INSIDE RECENTLY ACTIVE, LARGE DIAMETER SEWERS, AND ALL RECENTLY ACTIVE SEWER MANHOLES SHAL RECEIVE \$5.00 PER DAY ABOVE GROUP 1 WAGE RATES. MAINTENANCE AND REPAIR TRACK AND ROAD BEDS. ALL EMPLOYEES PERFORMING WORK COVERED HEREIN SHALL RECEIVE \$.25 PER HOUR ABOVE THEIR REGULAR RATE FOR ALL WORK PERFORMED ON UNDERGROUND STRUCTURES NOT SPECIFICALLY COVERED HEREIN. THIS PARAGRAPH SHALL NOT BE CONSTRUED TO APPLY TO WORK BELOW GROUND LEVEL IN OPEN CUT. IT SHALL APPLY TO CUT AND COVER WORK OF SUBWAY CONSTRUCTION AFTER THE TEMPORARY COVER HAS BEEN PLACED.....\$ 36.05

27.30

LABORER, CONSTRUCTION CRAFT LABORERS - AREA B: GROUP 1-C BURNING AND WELDING IN CONNECTION WITH LABORERS' WORK; SYNTHETIC THERMOPLASTICS AND SIMILAR TYPE WELDING (NAPA, SOLANO, AND SONOMA COUNTIES) FOOTNOTES: LABORERS WORKING OFF OR WITH OR FROM BOS'N CHAIRS, SWINGING SCAFFOLDS, BELTS SHALL RECEIVE \$0.25 PER HOUR ABOVE THE APPLICABLE WAGE RATE. THIS SHALL NOT APPLY TO WORKERS ENTITLED TO RECEIVE THE WAGE RATE SET FORTH IN GROUP 1-A BELOW. SEWER CLEANERS SHALL RECEIVE \$4.00 PER DAY ABOVE GROUP 1 WAGE RATES. ""SEWER CLEANER"" MEANS ANY WORKER WHO HANDLES OR COMES IN CONTACT WITH RAW SEWAGE IN SMALL DIAMETER SEWERS. THOSE WHO WORK INSIDE RECENTLY ACTIVE, LARGE DIAMETER SEWERS, AND ALL RECENTLY ACTIVE SEWER MANHOLES SHAL RECEIVE \$5.00 PER DAY ABOVE GROUP 1 WAGE RATES. MAINTENANCE AND REPAIR TRACK AND ROAD BEDS. ALL EMPLOYEES PERFORMING WORK COVERED HEREIN SHALL RECEIVE \$.25 PER HOUR ABOVE THEIR REGULAR RATE FOR ALL WORK PERFORMED ON UNDERGROUND STRUCTURES NOT SPECIFICALLY COVERED HEREIN. THIS PARAGRAPH SHALL NOT BE CONSTRUED TO APPLY TO WORK BELOW GROUND LEVEL IN OPEN CUT. IT SHALL APPLY TO

CUT AND COVER WORK OF SUBWAY CONSTRUCTION AFTER THE TEMPORARY COVER HAS BEEN PLACED.....\$ 35.55 27.30

LABORER, CONSTRUCTION CRAFT LABORERS - AREA B: GROUP 1-A JOY DRILL MODEL TWM-2A; GARDNER-DENVER MODEL DH143 AND SIMILAR TYPE DRILLS; TRACK DRILLER; JACK LEG DRILLER; WAGON DRILLER; MECHANICAL DRILLERS, ALL TYPES REGARDLESS OF TYPE OR METHOD OF POWER; MECHANICAL PIPE LAYERS, ALL TYPES REGARDLESS OF TYPE OR METHOD OF POWER; BLASTER AND POWDER; ALL WORK OF LOADING, PLACING AND BLASTING OF ALL POWDER AND EXPLOSIVES OF WHATEVER TYPE REGARDLESS OF METHOD USED FOR SUCH LOADING AND PLACING; HIGH SCALERS (INCLUDING DRILLING OF SAME); TREE TOPPER; BIT GRINDER (NAPA, SOLANO, AND SONOMA COUNTIES) SEWER CLEANERS SHALL RECEIVE \$4.00 PER DAY ABOVE GROUP 1 WAGE RATES. ""SEWER CLEANER"" MEANS ANY WORKER WHO HANDLES OR COMES IN CONTACT WITH RAW SEWAGE IN SMALL DIAMETER SEWERS. THOSE WHO WORK INSIDE RECENTLY ACTIVE, LARGE DIAMETER SEWERS, AND ALL RECENTLY ACTIVE SEWER MANHOLES SHAL RECEIVE \$5.00 PER DAY ABOVE GROUP 1 WAGE RATES. MAINTENANCE AND REPAIR TRACK AND ROAD BEDS. ALL EMPLOYEES PERFORMING WORK COVERED HEREIN SHALL RECEIVE \$.25 PER HOUR ABOVE THEIR REGULAR RATE FOR ALL WORK PERFORMED ON UNDERGROUND STRUCTURES NOT SPECIFICALLY COVERED HEREIN. THIS PARAGRAPH SHALL NOT BE CONSTRUED TO APPLY TO WORK BELOW GROUND LEVEL IN OPEN CUT. IT SHALL APPLY TO CUT AND COVER WORK OF SUBWAY CONSTRUCTION AFTER THE TEMPORARY

COVER HAS BEEN PLACED.....\$ 35.72 27.30

LABORER, CONSTRUCTION CRAFT LABORERS - AREA B: GROUP 1- ASPHALT SPREADER BOXES (ALL TYPES); BARKO, WACKER AND SIMILAR TYPE TAMPERS; BUGGYMOBILE; CAULKER, BANDER, PIPEWRAPPER, CONDUIT LAYER, PLASTIC PIPELAYER; CERTIFIED HAZARDOUS WASTE WORKER INCLUDING LEADE ABATEMENT; COMPACTORS OF ALL TYPES; CONCRETE AND MAGNESITE MIXER, 1/2 YD. AND UNDER; CONCRETE PAN WORK; CONCRETE SANDER; CONCRETE SAW; CRIBBER AND/OR SHORING; CUT GRANITE CURB SETTER; DRI-PAK-IT MACHINE; FALLER, LOGLOADER AND BUCKER; FORM RAISER, SLIP FORMS; GREEN CUTTER; HEADERBOARD, HUBSETTER, ALIGNER, BY ANY METHOD; HIGH PRESSURE BLOW PIPE (1-1/2"" OR OVER, 100 LBS. PRESSURE/OVER); HYDRO SEEDER AND SIMILAR TYPE; JACKHAMMER OPERATOR; JACKING OF PIPE OVER 12 INCHES; JACKSON AND SIMILAR TYPE COMPACTOR; KETTLE TENDER, POT AND WORKER APPLYING ASPHALT, LAY-KOLD, CREOSOTE, LIME, CAUSTIC AND SIMILAR TYPE MATERIALS (APPLYING MEANS APPLYING, DIPPING OR HANDLING OF SUCH MATERIALS); LAGGING, SHEETING, WHALING, BRACING, TRENCHJACKING, LAGGING HAMMER; MAGNESITE, EPOXYRESIN, FIBERGLASS, MASTIC WORKER (WET OR DRY); NO JOINT PIPE AND STRIPPING OF SAME, INCLUDING REPAIR OF VOIDS; PAVEMENT BREAKER AND SPADER, INCLUDING TOOL GRINDER; PERMA CURB; PIPELAYER (INCLUDING GRADE CHECKING IN CONNECTION WITH PIPELAYING); PRECAST-MANHOLE SETTER; PRESSURE PIPE TESTER; POST HOLE DIGGER, AIR, GAS AND ELECTRIC; POWER BROOM SWEEPER; POWER TAMPERS OF ALL TYPES (EXCEPT AS SHOWN IN GROUP 2); RAM SET GUN AND STUD GUN; RIPRAP STONEPAVER AND ROCK-SLINGER, INCLUDING PLACING OF SACKED CONCRETE AND/OR SAND (WET OR DRY) AND GABIONS AND SIMILAR TYPE; ROTARY SCARIFIER OR MULTIPLE HEAD CONCRETE CHIPPING SCARIFIER; ROTO AND DITCH WITCH; ROTOTILLER; SANDBLASTER, POT, GUN,

NOZZLE OPERATORS; SIGNALLING AND RIGGING; TANK CLEANER; TREE CLIMBER; TURBO BLASTER; VIBRASCREED, BULL FLOAT IN CONNECTION WITH LABORERS' WORK; VIBRATOR; HAZARDOUS WASTE WORKER (LEAD REMOVAL); ASBESTOS AND MOLD REMOVAL WORKER (NAPA, SOLANO, AND SONOMA COUNTIES) FOOTNOTES: LABORERS WORKING OFF OR WITH OR FROM BOS'N CHAIRS, SWINGING SCAFFOLDS, BELTS SHALL RECEIVE \$0.25 PER HOUR ABOVE THE APPLICABLE WAGE RATE. THIS SHALL NOT APPLY TO WORKERS ENTITLED TO RECEIVE THE WAGE RATE SET FORTH IN GROUP 1-A BELOW. SEWER CLEANERS SHALL

RECEIVE \$4.00 PER DAY ABOVE GROUP 1 WAGE RATES. ""SEWER CLEANER"" MEANS ANY WORKER WHO HANDLES OR COMES IN CONTACT WITH RAW SEWAGE IN SMALL DIAMETER SEWERS. THOSE WHO WORK INSIDE RECENTLY ACTIVE, LARGE DIAMETER SEWERS, AND ALL RECENTLY ACTIVE SEWER MANHOLES SHAL RECEIVE \$5.00 PER DAY ABOVE GROUP 1 WAGE RATES. MAINTENANCE AND REPAIR TRACK AND ROAD BEDS. ALL EMPLOYEES PERFORMING WORK COVERED HEREIN SHALL RECEIVE \$.25 PER HOUR ABOVE THEIR REGULAR RATE FOR ALL WORK PERFORMED ON UNDERGROUND STRUCTURES NOT SPECIFICALLY COVERED HEREIN. THIS PARAGRAPH SHALL NOT BE CONSTRUED TO APPLY TO WORK BELOW GROUND LEVEL IN OPEN CUT. IT SHALL APPLY TO CUT AND COVER WORK OF SUBWAY CONSTRUCTION AFTER THE TEMPORARY COVER HAS BEEN

PLACED.....\$ 35.50 27.30

LABORER, CONSTRUCTION CRAFT LABORERS - AREA B: CONSTRUCTION SPECIALIST GROUP ASPHALT IRONER AND RAKER; CHAINSAW; LASER BEAM IN CONNECTION WITH LABORERS' WORK; CAST-IN- PLACE MANHOLE FORM SETTER; PRESSURE PIPELAYER; DAVIS TRENCHER - 300 OR SIMILAR TYPE (AND ALL SMALL TRENCHERS); BLASTER; DIAMOND DRILLER; MULTIPLE UNIT DRILL; HYDRAULIC DRILL NAPA, SOLANO, AND SONOMA COUNTIES FOOTNOTES: LABORERS WORKING OFF OR WITH OR FROM BOS'N CHAIRS, SWINGING SCAFFOLDS, BELTS SHALL RECEIVE \$0.25 PER HOUR ABOVE THE APPLICABLE WAGE RATE. THIS SHALL NOT APPLY TO WORKERS ENTITLED TO RECEIVE THE WAGE RATE SET FORTH IN GROUP 1-A BELOW.

SEWER CLEANERS SHALL RECEIVE \$4.00 PER DAY ABOVE GROUP 1 WAGE RATES. ""SEWER CLEANER"" MEANS ANY WORKER WHO HANDLES OR COMES IN CONTACT WITH RAW SEWAGE IN SMALL DIAMETER SEWERS. THOSE WHO WORK INSIDE RECENTLY ACTIVE, LARGE DIAMETER SEWERS, AND ALL RECENTLY ACTIVE SEWER MANHOLES SHAL RECEIVE \$5.00 PER DAY ABOVE GROUP 1 WAGE RATES. MAINTENANCE AND REPAIR TRACK AND ROAD BEDS. ALL EMPLOYEES PERFORMING WORK COVERED HEREIN SHALL RECEIVE \$.25 PER HOUR ABOVE THEIR REGULAR RATE FOR ALL WORK PERFORMED ON UNDERGROUND STRUCTURES NOT SPECIFICALLY COVERED HEREIN. THIS PARAGRAPH SHALL NOT BE CONSTRUED TO APPLY TO WORK BELOW GROUND LEVEL IN OPEN CUT. IT SHALL APPLY TO CUT AND COVER WORK OF SUBWAY CONSTRUCTION AFTER THE TEMPORARY COVER HAS BEEN PLACED.....\$ 36.20 27.30

PAIN0016-004 01/01/2025

Rates

Fringes

PAINTERS MARIN, NAPA, SOLANO & SONOMA COUNTIES PREMIUMS: EXOTIC MATERIALS - \$1.25 ADDITIONAL PER HOUR. SPRAY WORK: - \$0.50 ADDITIONAL PER HOUR. INDUSTRIAL PAINTING - \$0.25 ADDITIONAL PER HOUR [WORK ON INDUSTRIAL BUILDINGS USED FOR THE

MANUFACTURE AND PROCESSING OF GOODS FOR SALE OR SERVICE; STEEL CONSTRUCTION (BRIDGES), STACKS, TOWERS, TANKS, AND SIMILAR STRUCTURES] HIGH WORK: OVER 50 FEET - \$2.00 PER HOUR ADDITIONAL 100 TO 180 FEET - \$4.00 PER HOUR ADDITIONAL OVER 180 FEET - \$6.00 PER HOUR ADDITIONAL.....\$ 53.38 28.04

PAIN0016-005 01/01/2025

Rates Fringes

DRYWALL FINISHER/TAPER ALPINE, BUTTE, COLUSA, EL DORADO (WEST OF THE SIERRA NEVADA MOUNTAINS), GLENN, LASSEN (WEST OF HWY. 395, EXCLUDING HONEY LAKE); MARIN, MODOC, NAPA, NEVADA (WEST OF THE SIERRA NEVADA MOUNTAINS), PLACER (WEST OF THE SIERRA NEVADA MOUNTAINS), PLUMAS, SACRAMENTO, SHASTA, SIERRA (WEST OF THE SIERRA NEVADA MOUNTAINS), SISKIYOU, SOLANO, SONOMA, SUTTER, TEHAMA, TRINITY, YOLO AND YUBA COUNTIES.....\$ 59.63 31.29

PAIN0016-007 01/01/2025

Rates Fringes

PAINTERS ALPINE, AMADOR, BUTTE, COLUSA. EL DORADO (WEST OF THE SIERRA NEVADA MOUNTAINS), GLENN, LASSEN (WEST OF HIGHWAY 395, EXCLUDING HONEY LAKE), MODOC, NEVADA (WEST OF THE SIERRA NEVADA MOUNTAINS), PLACER (WEST OF THE SIERRA NEVADA MOUNTAINS), PLUMAS, SACRAMENTO, SHASTA, SIERRA (WEST OF THE SIERRA NEVADA MOUNTAINS), SISKIYOU, SUTTER, TEHAMA, TRINITY, YOLO & YUBA COUNTIES SPRAY/SANDBLAST: \$0.50 ADDITIONAL PER HOUR. EXOTIC MATERIALS: \$1.25 ADDITIONAL PER HOUR. HIGH TIME: OVER 50 FT ABOVE GROUND OR WATER LEVEL \$2.00 ADDITIONAL PER HOUR. 100 TO 180 FT ABOVE GROUND OR WATER LEVEL \$4.00 ADDITIONAL PER HOUR. OVER 180 FT ABOVE GROUND OR WATER LEVEL \$6.00 ADDITIONAL PER HOUR.....\$ 43.45 22.80

PAIN0016-008 01/01/2024

Rates Fringes

SOFT FLOOR LAYER MARIN, NAPA, SOLANO AND SONOMA COUNTIES.....\$ 59.00 33.03

PAIN0169-004 01/01/2024

Rates Fringes

GLAZIER MARIN , NAPA & SONOMA COUNTIES; SOLANO COUNTY (WEST OF A LINE DEFINED AS FOLLOWS: HWY. 80 CORRIDOR BEGINNING AT THE CITY OF FAIRFIELD, INCLUDING TRAVIS AIR FORCE BASE AND SUISUN CITY; GOING NORTH OF MANAKAS CORNER RD., CONTINUE NORTH ON SUISUN VALLEY RD. TO THE NAPA COUNTY LINE; HWY. 80 CORRIDOR SOUTH ON GRIZZLY ISLAND RD. TO THE GRIZZLY ISLAND MANAGEMENT AREA).....\$ 56.22 34.00

PAIN0567-001 07/01/2025

Rates Fringes

PAINTERS: SPRAY PAINTER EL DORADO COUNTY (EAST OF THE SIERRA NEVADA MOUNTAINS); LASSEN COUNTY (EAST OF HIGHWAY 395, BEGINNING AT STACEY AND INCLUDING HONEY LAKE); NEVADA COUNTY (EAST OF THE SIERRA NEVADA MOUNTAINS); PLACER COUNTY (EAST OF THE

SIERRA NEVADA MOUNTAINS); AND SIERRA COUNTY (EAST OF THE SIERRA NEVADA MOUNTAINS) PREMIUMS: SPECIAL COATINGS (BRUSH), AND SANDBLASTING = \$0.50/HR SPECIAL COATINGS (SPRAY), AND STEEPLEJACK = \$1.00/HR SPECIAL COATING SPRAY STEEL = \$1.25/HR SWING STAGE = \$2.00/HR *A SPECIAL COATING IS A COATING THAT REQUIRES THE MIXING OF 2 OR MORE PRODUCTS.....\$ 41.43 16.16

PAINTERS: PAPERHANGER (EL DORADO COUNTY (EAST OF THE SIERRA NEVADA MOUNTAINS); LASSEN COUNTY (EAST OF HIGHWAY 395, BEGINNING AT STACEY AND INCLUDING HONEY LAKE); NEVADA COUNTY (EAST OF THE SIERRA NEVADA MOUNTAINS); PLACER COUNTY (EAST OF THE SIERRA NEVADA MOUNTAINS); AND SIERRA COUNTY (EAST OF THE SIERRA NEVADA MOUNTAINS) PREMIUMS: SPECIAL COATINGS (BRUSH), AND SANDBLASTING = \$0.50/HR SPECIAL COATINGS (SPRAY), AND STEEPLEJACK = \$1.00/HR SPECIAL COATING SPRAY STEEL = \$1.25/HR SWING STAGE = \$2.00/HR *A SPECIAL COATING IS A COATING THAT REQUIRES THE MIXING OF 2 OR MORE PRODUCTS.....\$ 42.19 16.16

PAINTERS: BRUSH AND ROLLER EL DORADO COUNTY (EAST OF THE SIERRA NEVADA MOUNTAINS); LASSEN COUNTY (EAST OF HIGHWAY 395, BEGINNING AT STACEY AND INCLUDING HONEY LAKE); NEVADA COUNTY (EAST OF THE SIERRA NEVADA MOUNTAINS); PLACER COUNTY (EAST OF THE SIERRA NEVADA MOUNTAINS); AND SIERRA COUNTY (EAST OF THE SIERRA NEVADA MOUNTAINS) PREMIUMS: SPECIAL COATINGS (BRUSH), AND SANDBLASTING = \$0.50/HR SPECIAL COATINGS (SPRAY), AND STEEPLEJACK = \$1.00/HR SPECIAL COATING SPRAY STEEL = \$1.25/HR SWING STAGE = \$2.00/HR *A SPECIAL COATING IS A COATING THAT REQUIRES THE MIXING OF 2 OR MORE PRODUCTS.....\$ 39.43 16.16

 PAIN0567-007 07/01/2022

Rates Fringes

SOFT FLOOR LAYER EL DORADO COUNTY (EAST OF THE SIERRA NEVADA MOUNTAINS); LASSEN COUNTY (EAST OF HIGHWAY 395, BEGINNING AT STACEY AND INCLUDING HONEY LAKE); NEVADA COUNTY (EAST OF THE SIERRA NEVADA MOUNTAINS); PLACER COUNTY (EAST OF THE SIERRA NEVADA MOUNTAINS) AND SIERRA COUNTY (EAST OF THE SIERRA NEVADA MOUNTAINS)).....\$ 34.27 16.47

 PAIN0567-010 07/01/2024

Rates Fringes

DRYWALL: (2) STEEPLEJACK - TAPER, OVER 40 FT WITH OPEN SPACE BELOW EL DORADO COUNTY (EAST OF THE SIERRA NEVADA MOUNTAINS); LASSEN COUNTY (EAST OF HIGHWAY 395, BEGINNING AT STACEY AND INCLUDING HONEY LAKE); NEVADA COUNTY (EAST OF THE SIERRA NEVADA MOUNTAINS); PLACER COUNTY (EAST OF THE SIERRA NEVADA MOUNTAINS); AND SIERRA COUNTY (EAST OF THE SIERRA NEVADA MOUNTAINS).....\$ 44.29 16.12

DRYWALL: (1) TAPER (EL DORADO COUNTY (EAST OF THE SIERRA NEVADA MOUNTAINS); LASSEN COUNTY (EAST OF HIGHWAY 395, BEGINNING AT STACEY AND INCLUDING HONEY LAKE); NEVADA COUNTY (EAST OF THE SIERRA NEVADA MOUNTAINS); PLACER COUNTY (EAST OF THE SIERRA NEVADA MOUNTAINS); AND SIERRA COUNTY (EAST OF THE SIERRA NEVADA MOUNTAINS).....\$ 42.79 16.12

PAIN0767-004 01/01/2024

	Rates	Fringes
GLAZIER ALPINE, AMADOR, BUTTE, COLUSA, EL DORADO, GLENN, LASSEN, MODOC, NEVADA, PLACER, PLUMAS, SACRAMENTO, SHASTA, SIERRA, SISKIYOU, SOLANO (REMAINDER), SUTTER, TEHAMA, TRINITY, YOLO, YUBA....	\$ 43.25	35.62

PAIN1176-001 07/01/2022

	Rates	Fringes
PARKING LOT STRIPING/HIGHWAY MARKING: HIGHWAY IMPROVEMENT: GROUP 3 PROTECTIVE COATING, PAVEMENT SEALING.....	\$ 35.11	17.62
PARKING LOT STRIPING/HIGHWAY MARKING: HIGHWAY IMPROVEMENT: GROUP 1 STRIPER: LAYOUT AND APPLICATION OF PAINTED TRAFFIC STRIPES AND MARKING; HOT THERMO PLASTIC; TAPE, TRAFFIC STRIPES AND MARKINGS.....	\$ 40.83	17.62
PARKING LOT STRIPING/HIGHWAY MARKING: HIGHWAY IMPROVEMENT: GROUP 2 GAMECOURT & PLAYGROUND INSTALLER.....	\$ 34.71	17.62

PAIN1237-001 01/01/2024

	Rates	Fringes
SOFT FLOOR LAYER ALPINE; COLUSA; EL DORADO (WEST OF THE SIERRA NEVADA MOUNTAINS); GLENN; LASSEN (WEST OF HIGHWAY 395, BEGINNING AT STACEY AND INCLUDING HONEY LAKE); MODOC; NEVADA (WEST OF THE SIERRA NEVADA MOUNTAINS); PLACER (WEST OF THE SIERRA NEVADA MOUNTAINS); PLUMAS; SACRAMENTO; SHASTA; SIERRA (WEST OF THE SIERRA NEVADA MOUNTAINS); SISKIYOU; SUTTER; TEHAMA; TRINITY; YOLO AND YUBA COUNTIES.....	\$ 48.54	26.59

PLAS0300-003 07/01/2018

	Rates	Fringes
PLASTERER AREA 355: NAPA & SONOMA COUNTIES.....	\$ 32.70	31.68
PLASTERER AREA 355: MARIN.....	\$ 36.73	31.68
PLASTERER AREA 295: ALPINE, AMADOR, BUTTE, COLUSA, EL DORADO, GLENN, LASSEN, MODOC, NEVADA, PLACER, PLUMAS, SACRAMENTO, SHASTA, SIERRA, SISKIYOU, SOLANO, SUTTER, TEHEMA, TRINITY, YOLO & YUBA COUNTIES.....	\$ 32.70	31.68

PLAS0300-005 07/01/2016

	Rates	Fringes
CEMENT MASON/CONCRETE FINISHER.....	\$ 32.15	23.27

PLUM0038-002 07/01/2025

	Rates	Fringes
PLUMBER, PLUMBER, STEAMFITTER, REFRIGERATION FITTER (MARIN AND SONOMA COUNTIES).....	\$ 91.00	49.40

PLUM0038-006 07/01/2025

	Rates	Fringes
LANDSCAPE/IRRIGATION FITTER: UNDERGROUND/UTILITY FITTER MARIN & SONOMA COUNTIES.....	\$ 77.35	36.53

PLUM0228-001 01/01/2026

Rates Fringes

PLUMBER BUTTE, COLUSA, GLENN, LASSEN, MODOC, PLUMAS, SHASTA, SIERRA, SISKIYOU, SUTTER, TEHAMA, TRINITY & YUBA COUNTIES.....\$ 52.75 41.39

PLUM0343-001 07/01/2025

Rates Fringes

PLUMBER/PIPEFITTER: ALL OTHER WORK NAPA AND SOLANO COUNTIES FOOTNOTES: WHILE FITTING GALVANIZED MATERIAL: \$.75 PER HOUR ADDITIONAL. WORK FROM TRUSSES, TEMPORARY STAGING, UNGUARDED STRUCTURES 35' FROM THE GROUND OR WATER: \$.75 PER HOUR ADDITIONAL. WORK FROM SWINGING SCAFFOLDS, BOATSWAINS CHAIRS OR SIMILAR DEVICES: \$.75 PER HOUR ADDITIONAL.....\$ 71.60 38.38

PLUM0350-001 08/01/2023

Rates Fringes

PLUMBER/PIPEFITTER EL DORADO COUNTY (LAKE TAHOE AREA ONLY); NEVADA COUNTY (LAKE TAHOE AREA ONLY); AND PLACER COUNTY (LAKE TAHOE AREA ONLY).....\$ 52.14 18.71

PLUM0355-001 07/01/2025

Rates Fringes

UNDERGROUND UTILITY WORKER: /LANDSCAPE FITTER ALPINE, AMADOR, BUTTE, COLUSA, EL DORADO, GLENN, LASSEN, MODOC, NAPA, NEVADA, PLACER, PLUMAS, SACRAMENTO, SHASTA, SIERRA, SISKIYOU, SOLANO, SUTTER, TEHAMA, TRINITY, YOLO, AND YUBA COUNTIES....\$ 36.01 18.50

PLUM0442-003 01/01/2026

Rates Fringes

PLUMBER AMADOR (SOUTH OF SAN JOAQUIN RIVER) AND ALPINE COUNTIES.....\$ 58.45 38.74

PLUM0447-001 07/01/2025

Rates Fringes

PLUMBER/PIPEFITTER: LIGHT COMMERCIAL WORK AMADOR (NORTH OF SAN JOAQUIN RIVER), EL DORADO (EXCLUDING LAKE TAHOE AREA), NEVADA (EXCLUDING LAKE TAHOE AREA); PLACER (EXCLUDING LAKE TAHOE AREA), SACRAMENTO AND YOLO COUNTIES.....\$ 55.58 24.02
PLUMBER/PIPEFITTER: JOURNEYMAN AMADOR (NORTH OF SAN JOAQUIN RIVER), EL DORADO (EXCLUDING LAKE TAHOE AREA), NEVADA (EXCLUDING LAKE TAHOE AREA); PLACER (EXCLUDING LAKE TAHOE AREA), SACRAMENTO AND YOLO COUNTIES.....\$ 67.37 30.00

ROOF0081-006 08/01/2024

Rates Fringes

ROOFER MARIN, NAPA, SOLANO AND SONOMA COUNTIES....\$ 54.94 23.34

ROOF0081-007 08/01/2023

Rates Fringes

ROOFER ALPINE, BUTTE, COLUSA, EL DORADO, GLENN,LASSEN, MODOC, NEVADA, PLACER, PLUMAS, SACRAMENTO, SHASTA, SIERRA, SISKIYOU, SUTTER,

TEHAMA, TRINITY, YOLO, AND YUBA COUNTIES.....\$ 46.73 21.36

SFCA0483-003 01/01/2026

Rates Fringes

SPRINKLER FITTER (FIRE SPRINKLERS) MARIN, NAPA,
SOLANO AND SONOMA COUNTIES.....\$ 81.54 41.35

SFCA0669-003 01/01/2026

Rates Fringes

SPRINKLER FITTER (ALPINE, BUTTE, COLUSA, EL DORADO,
GLENN, LASSEN, MODOC, NEVADA, PLACER, PLUMAS,
SACRAMENTO, SHASTA, SIERRA, SISKIYOU, SUTTER,
TEHAMA, TRINITY, YOLO AND YUBA COUNTIES).....\$ 52.06 29.86

SHEE0104-006 06/29/2020

Rates Fringes

SHEET METAL WORKER: MECHANICAL CONTRACTS \$200,000
OR LESS MARIN, NAPA, SOLANO SONOMA & TRINITY
COUNTIES.....\$ 55.92 45.29
SHEET METAL WORKER: ALL OTHER WORK MARIN, NAPA,
SOLANO SONOMA & TRINITY COUNTIES.....\$ 64.06 46.83

SHEE0104-009 07/01/2021

Rates Fringes

SHEET METAL WORKER AMADOR, COLUSA, EL DORADO,
NEVADA, PLACER, SACRAMENTO, SUTTER, YOLO AND YUBA
COUNTIES.....\$ 47.85 41.90

SHEE0104-010 07/01/2020

Rates Fringes
37.42

SHEET METAL WORKER ALPINE COUNTY.....\$ 43.50

SHEE0104-011 07/01/2020

Rates Fringes

SHEET METAL WORKER: METAL DECKING AND SIDING ONLY
BUTTE, COLUSA, EL DORADO, GLENN, LASSEN, MODOC,
NEVADA, PLACER, PLUMAS, SACRAMENTO, SHASTA, SIERRA,
SISKIYOU, SUTTER, TEHAMA, YOLO AND YUBA COUNTIES....\$ 44.45 35.55

SHEE0104-014 07/01/2020

Rates Fringes

SHEET METAL WORKER: METAL DECKING AND SIDING ONLY
(MARIN, NAPA, SOLANO, SONOMA AND TRINITY COUNTIES)..\$ 44.45 35.55

SHEE0104-019 07/01/2020

Rates Fringes

SHEET METAL WORKER: MECHANICAL JOBS OVER \$200,000
BUTTE, GLENN, LASSEN, MODOC, PLUMAS, SHASTA,
SIERRA, SISKIYOU AND TEHAMA COUNTIES.....\$ 46.60 40.21
SHEET METAL WORKER: MECHANICAL JOBS \$200,000 &
UNDER BUTTE, GLENN, LASSEN, MODOC, PLUMAS,
SHASTA, SIERRA, SISKIYOU AND TEHAMA COUNTIES.....\$ 35.16 35.88

TEAM0094-001 07/01/2025

Rates Fringes

TRUCK DRIVERS: GROUP 5: DUMP TRUCKS, 65 YDS. AND

OVER; HOLLAND HAULER; LOW BED HEAVY DUTY TRANSPORT
 OVER 7 AXLES FOOTNOTES: ARTICULATED DUMP
 TRUCK; BULK CEMENT SPREADER (WITH OR WITHOUT
 AUGER); DUMPCRETE TRUCK; SKID TRUCK (DEBRIS BOX);
 DRY PRE-BATCH CONCRETE MIX TRUCKS; DUMPSTER OR
 SIMILAR TYPE; SLURRY TRUCK: USE DUMP TRUCK YARDAGE
 RATE. HEATER PLANER; ASPHALT BURNER; SCARIFIER
 BURNER; INDUSTRIAL LIFT TRUCK (MECHANICAL
 TAILGATE); UTILITY AND CLEAN-UP TRUCK: USE
 APPROPRIATE RATE FOR THE POWER UNIT OR THE
 EQUIPMENT UTILIZED. TRUCK DRIVER

CLASSIFICATIONS.....\$ 44.56 34.28

TRUCK DRIVERS: GROUP 4: DUMP TRUCKS, OVER 25 YDS.
 AND UNDER 65 YDS.; WATER PULLS - DW 10'S, 20'S,
 21'S AND OTHER SIMILAR EQUIPMENT WHEN PULLING
 AQUA/PAK OR WATER TANK TRAILERS; HELICOPTER PILOTS
 (WHEN TRANSPORTING MEN AND MATERIALS); LOWBEDK
 HEAVY DUTY TRANSPORT UP TO INCLUDING 7 AXLES;
 DW10'S, 20'S, 21'S AND OTHER SIMILAR CAT TYPE,
 TERRA COBRA, LETOURNEAU PULLS, TOURNOROCKER, EUCLID
 AND SIMILAR TYPE EQUIPMENT WHEN PULLING FUEL AND/OR
 GREASE TANK TRAILERS OR OTHER MISCELLANEOUS
 TRAILERS; VACUUM TRUCKS 7500 GALS AND OVER AND
 TRUCK REPAIRMAN FOOTNOTES: ARTICULATED DUMP
 TRUCK; BULK CEMENT SPREADER (WITH OR WITHOUT
 AUGER); DUMPCRETE TRUCK; SKID TRUCK (DEBRIS BOX);
 DRY PRE-BATCH CONCRETE MIX TRUCKS; DUMPSTER OR
 SIMILAR TYPE; SLURRY TRUCK: USE DUMP TRUCK YARDAGE
 RATE. HEATER PLANER; ASPHALT BURNER; SCARIFIER
 BURNER; INDUSTRIAL LIFT TRUCK (MECHANICAL
 TAILGATE); UTILITY AND CLEAN-UP TRUCK: USE
 APPROPRIATE RATE FOR THE POWER UNIT OR THE
 EQUIPMENT UTILIZED. TRUCK DRIVER

CLASSIFICATIONS.....\$ 44.21 34.28

TRUCK DRIVERS: GROUP 3: DUMP TRUCKS, 8 YDS. AND
 INCLUDING 24 YDS.; TRANSIT MIXERS, OVER 10 YDS.;
 WATER TRUCKS, 7,000 GALS. AND OVER; JETTING TRUCKS,
 7,000 GALS. AND OVER; VACUUM TRUCKS UNDER 7500
 GALS. TRUCKS TOWING TILT BED OR FLAT BED PULL
 TRAILERS; LOWBED HEAVY DUTY TRANSPORT; HEAVY DUTY
 TRANSPORT TILLER PERSON; SELF- PROPELLED STREET
 SWEEPER WITH SELF-CONTAINED REFUSE BIN; BOOM TRUCK
 - HYDRO-LIFT OR SWEDISH TYPE EXTENSION OR
 RETRACTING CRANE; P.B. OR SIMILAR TYPE SELF-LOADING
 TRUCK; TIRE REPAIRPERSON; COMBINATION BOOTPERSON
 AND ROAD OILER; DRY DISTRIBUTION TRUCK (A
 BOOTPERSON WHEN EMPLOYED ON SUCH EQUIPMENT, SHALL
 RECEIVE THE RATE SPECIFIED FOR THE CLASSIFICATION
 OF ROAD OIL TRUCKS OR BOOTPERSON); AMMONIA NITRATE
 DISTRIBUTOR, DRIVER AND MIXER; SNOW GO AND/OR PLOW
 FOOTNOTES: ARTICULATED DUMP TRUCK; BULK CEMENT
 SPREADER (WITH OR WITHOUT AUGER); DUMPCRETE TRUCK;
 SKID TRUCK (DEBRIS BOX); DRY PRE-BATCH CONCRETE MIX
 TRUCKS; DUMPSTER OR SIMILAR TYPE; SLURRY TRUCK: USE
 DUMP TRUCK YARDAGE RATE. HEATER PLANER;
 ASPHALT BURNER; SCARIFIER BURNER; INDUSTRIAL LIFT
 TRUCK (MECHANICAL TAILGATE); UTILITY AND CLEAN-UP
 TRUCK: USE APPROPRIATE RATE FOR THE POWER UNIT OR
 THE EQUIPMENT UTILIZED. TRUCK

DRIVER CLASSIFICATIONS.....\$ 43.86 34.28

TRUCK DRIVERS: GROUP 2: DUMP TRUCKS, 6 YDS. AND
 UNDER 8 YDS.; TRANSIT MIXERS, THROUGH 10 YDS.;
 WATER TRUCKS, UNDER 7,000 GALS.; JETTING TRUCKS,
 UNDER 7,000 GALS.; SINGLE-UNIT FLAT RACK (3-AXLE
 UNIT); HIGHBED HEAVY DUTY TRANSPORT; SCISSOR TRUCK;

RUBBER-TIRED MUCK CAR (NOT SELF-LOADED);
 RUBBER-TIRED TRUCK JUMBO; WINCH TRUCK AND ""A"" FRAME
 DRIVERS; COMBINATION WINCH TRUCK WITH HOIST; ROAD
 OIL TRUCK OR BOOTPERSON; BUGGYMOBILE; ROSS, HYSTER
 AND SIMILAR STRADDLE CARRIERS; SMALL RUBBER-TIRED
 TRACTOR FOOTNOTES: ARTICULATED DUMP TRUCK;
 BULK CEMENT SPREADER (WITH OR WITHOUT AUGER);
 DUMPCRETE TRUCK; SKID TRUCK (DEBRIS BOX); DRY
 PRE-BATCH CONCRETE MIX TRUCKS; DUMPSTER OR SIMILAR
 TYPE; SLURRY TRUCK: USE DUMP TRUCK YARDAGE RATE.

HEATER PLANER; ASPHALT BURNER; SCARIFIER BURNER;
 INDUSTRIAL LIFT TRUCK (MECHANICAL TAILGATE);
 UTILITY AND CLEAN-UP TRUCK: USE APPROPRIATE RATE
 FOR THE POWER UNIT OR THE EQUIPMENT UTILIZED.

TRUCK DRIVER CLASSIFICATIONS.....\$ 43.56 34.28

TRUCK DRIVERS: GROUP 1: DUMP TRUCKS, UNDER 6 YDS.;
 SINGLE UNIT FLAT RACK (2- AXLE UNIT); NIPPER TRUCK
 (WHEN FLAT RACK TRUCK IS USED APPROPRIATE FLAT RACK
 SHALL APPLY); CONCRETE PUMP TRUCK (WHEN FLAT RACK
 TRUCK IS USED APPROPRIATE FLAT RACK SHALL APPLY);
 CONCRETE PUMP MACHINE; FORK LIFT AND LIFT JITNEYS;
 FUEL AND/OR GREASE TRUCK DRIVER OR FUEL PERSON;
 SNOW BUGGY; STEAM CLEANING; BUS OR PERSONHAUL
 DRIVER; ESCORT OR PILOT CAR DRIVER; PICKUP TRUCK;
 TEAMSTER OILER/GREASER AND/OR SERVICEPERSON; HOOK
 TENDER (INCLUDING LOADING AND UNLOADING); TEAM
 DRIVER; TOOL ROOM ATTENDANT (REFINERIES)

FOOTNOTES: ARTICULATED DUMP TRUCK; BULK CEMENT
 SPREADER (WITH OR WITHOUT AUGER); DUMPCRETE TRUCK;
 SKID TRUCK (DEBRIS BOX); DRY PRE-BATCH CONCRETE MIX
 TRUCKS; DUMPSTER OR SIMILAR TYPE; SLURRY TRUCK: USE
 DUMP TRUCK YARDAGE RATE. HEATER PLANER;
 ASPHALT BURNER; SCARIFIER BURNER; INDUSTRIAL LIFT
 TRUCK (MECHANICAL TAILGATE); UTILITY AND CLEAN-UP
 TRUCK: USE APPROPRIATE RATE FOR THE POWER UNIT OR
 THE EQUIPMENT UTILIZED. TRUCK

DRIVER CLASSIFICATIONS.....\$ 43.26 34.28

 WELDERS - Receive rate prescribed for craft performing
 operation to which welding is incidental.

=====
 Note: Executive Order (EO) 13706, Establishing Paid Sick Leave
 for Federal Contractors applies to all contracts subject to the
 Davis-Bacon Act for which the contract is awarded (and any
 solicitation was issued) on or after January 1, 2017. If this
 contract is covered by the EO, the contractor must provide
 employees with 1 hour of paid sick leave for every 30 hours
 they work, up to 56 hours of paid sick leave each year.
 Employees must be permitted to use paid sick leave for their
 own illness, injury or other health-related needs, including
 preventive care; to assist a family member (or person who is
 like family to the employee) who is ill, injured, or has other
 health-related needs, including preventive care; or for reasons
 resulting from, or to assist a family member (or person who is
 like family to the employee) who is a victim of, domestic
 violence, sexual assault, or stalking. Additional information
 on contractor requirements and worker protections under the EO
 is available at
<https://www.dol.gov/agencies/whd/government-contracts>.

Note: Executive Order 13658 generally applies to contracts subject
 to the Davis-Bacon Act that were awarded on or between January 1,

2015 and January 29, 2022, and that have not been renewed or extended on or after January 30, 2022. Executive Order 13658 does not apply to contracts subject only to the Davis-Bacon Related Acts regardless of when they were awarded. If a contract is subject to Executive Order 13658, the contractor must pay all covered workers at least \$13.65 per hour (or the applicable wage rate listed on this wage determination, if it is higher) for all hours spent performing on the contract from May 11, 2026, through December 31, 2026. The applicable Executive Order minimum wage rate will be adjusted annually. Additional information on contractor requirements and worker protections under Executive Order 13658 is available at www.dol.gov/whd/govcontracts.

Unlisted classifications needed for work not included within the scope of the classifications listed may be added after award only as provided in the labor standards contract clauses (29CFR 5.5 (a) (1) (iii)).

The body of each wage determination lists the classifications and wage rates that have been found to be prevailing for the type(s) of construction and geographic area covered by the wage determination. The classifications are listed in alphabetical order under rate identifiers indicating whether the particular rate is a union rate (current union negotiated rate), a survey rate, a weighted union average rate, a state adopted rate, or a supplemental classification rate.

Union Rate Identifiers

A four-letter identifier beginning with characters other than **SU**, **UAVG**, **SA**, or **SC** denotes that a union rate was prevailing for that classification in the survey. Example: PLUM0198-005 07/01/2024. PLUM is an identifier of the union whose collectively bargained rate prevailed in the survey for this classification, which in this example would be Plumbers. 0198 indicates the local union number or district council number where applicable, i.e., Plumbers Local 0198. The next number, 005 in the example, is an internal number used in processing the wage determination. The date, 07/01/2024 in the example, is the effective date of the most current negotiated rate.

Union prevailing wage rates are updated to reflect all changes over time that are reported to WHD in the rates in the collective bargaining agreement (CBA) governing the classification.

Union Average Rate Identifiers

The UAVG identifier indicates that no single rate prevailed for those classifications, but that 100% of the data reported for the classifications reflected union rates. EXAMPLE: UAVG-OH-0010 01/01/2024. UAVG indicates that the rate is a weighted union average rate. OH indicates the State of Ohio. The next number, 0010 in the example, is an internal number used in producing the wage determination. The date, 01/01/2024 in the example, indicates the date the wage determination was updated to reflect the most current union average rate.

A UAVG rate will be updated once a year, usually in January, to reflect a weighted average of the current rates in the collective bargaining agreements on which the rate is based.

Survey Rate Identifiers

The **SU** identifier indicates that either a single non-union rate prevailed (as defined in 29 CFR 1.2) for this classification in the survey or that the rate was derived by computing a weighted average rate based on all the rates reported in the survey for that classification. As a weighted average rate includes all rates reported in the survey, it may include both union and non-union rates. Example: SUFL2022-007 6/27/2024. SU indicates the rate is a single non-union prevailing rate or a weighted average of survey data for that classification. FL indicates the State of Florida. 2022 is the year of the survey on which these classifications and rates are based. The next number, 007 in the example, is an internal number used in producing the wage determination. The date, 6/27/2024 in the example, indicates the survey completion date for the classifications and rates under that identifier.

SU wage rates typically remain in effect until a new survey is conducted. However, the Wage and Hour Division (WHD) has the discretion to update such rates under 29 CFR 1.6(c)(1).

State Adopted Rate Identifiers

The **SA** identifier indicates that the classifications and prevailing wage rates set by a state (or local) government were adopted under 29 C.F.R 1.3(g)-(h). Example: SAME2023-007 01/03/2024. SA reflects that the rates are state adopted. ME refers to the State of Maine. 2023 is the year during which the state completed the survey on which the listed classifications and rates are based. The next number, 007 in the example, is an internal number used in producing the wage determination. The date, 01/03/2024 in the example, reflects the date on which the classifications and rates under the **SA** identifier took effect under state law in the state from which the rates were adopted.

WAGE DETERMINATION APPEALS PROCESS

1) Has there been an initial decision in the matter? This can be:

- a) a survey underlying a wage determination
- b) an existing published wage determination
- c) an initial WHD letter setting forth a position on a wage determination matter
- d) an initial conformance (additional classification and rate) determination

On survey related matters, initial contact, including requests for summaries of surveys, should be directed to the WHD Branch of Wage Surveys. Requests can be submitted via email to davisbaconinfo@dol.gov or by mail to:

Branch of Wage Surveys
 Wage and Hour Division
 U.S. Department of Labor
 200 Constitution Avenue, N.W.
 Washington, DC 20210

Regarding any other wage determination matter such as conformance decisions, requests for initial decisions should be directed to the WHD Branch of Construction Wage Determinations. Requests can be submitted via email to BCWD-Office@dol.gov or by mail to:

Branch of Construction Wage Determinations
 Wage and Hour Division
 U.S. Department of Labor
 200 Constitution Avenue, N.W.
 Washington, DC 20210

2) If an initial decision has been issued, then any interested party (those affected by the action) that disagrees with the

decision can request review and reconsideration from the Wage and Hour Administrator (See 29 CFR Part 1.8 and 29 CFR Part 7). Requests for review and reconsideration can be submitted via email to dba.reconsideration@dol.gov or by mail to:

Wage and Hour Administrator
U.S. Department of Labor
200 Constitution Avenue, N.W.
Washington, DC 20210

The request should be accompanied by a full statement of the interested party's position and any information (wage payment data, project description, area practice material, etc.) that the requestor considers relevant to the issue.

3) If the decision of the Administrator is not favorable, an interested party may appeal directly to the Administrative Review Board (formerly the Wage Appeals Board). Write to:

Administrative Review Board
U.S. Department of Labor
200 Constitution Avenue, N.W.
Washington, DC 20210.

=====

END OF GENERAL DECISION "

ADDENDUM NO. 2

SPECIFICATIONS

AND

CONTRACT DOCUMENTS

FOR

2026 Pioneer Trail Waterline Project (REBID)

South Tahoe Public Utility District

South Lake Tahoe, California

June 4, 2026

GENERAL NOTES:

- This addendum clarifies the ductile iron pipe class in response to a question submitted via PlanetBids and adds a detail for the concrete collar surrounding water valves and manholes in paved areas.
- There are no changes to the bid opening date or bid items.
- As a reminder, hard copy bid bond MUST be received by the District prior to bid opening.

THE FOLLOWING CHANGES ARE TO BE MADE TO THE PLANS:

1. Sheet D5, Detail 5, Not Used
REPLACE: “Not Used
WITH: “EXISTING MANHOLE COVER & VALVE BOX REHABILITATION”
2. Sheet D5, Detail 5
INSERT: Attached detail 5/D5, EXISTING MANHOLE COVER & VALVE BOX REHABILITATION
3. Sheet D2, Detail 1, Trench Detail – Within Paved Areas, following Note 4.
ADD: “5. Refer to detail 5/D5 for valves and manholes located within paved area.”

THE FOLLOWING CHANGES ARE TO BE MADE TO THE SPECIFICATIONS:

1. Section 00 41 00 – Bid Forms, Page 35, Bid Item 9 description, update to match bid form description.
REPLACE: “Class 350”
WITH: “Class 250”
2. Addendum 1, Section 00 41 00 – Bid Forms, Bid Item 32 – 16-inch Gate Valve Option
REPLACE: “Class 300”
WITH: “Class 250”

This Addendum No. 2, pages 1 through 3 shall become part of the Contract and all provisions of the Contract shall apply therein.

The date and time for the Bid Opening has not changed. The time provided for the completion of the Contract has not changed.

SOUTH TAHOE PUBLIC UTILITY DISTRICT

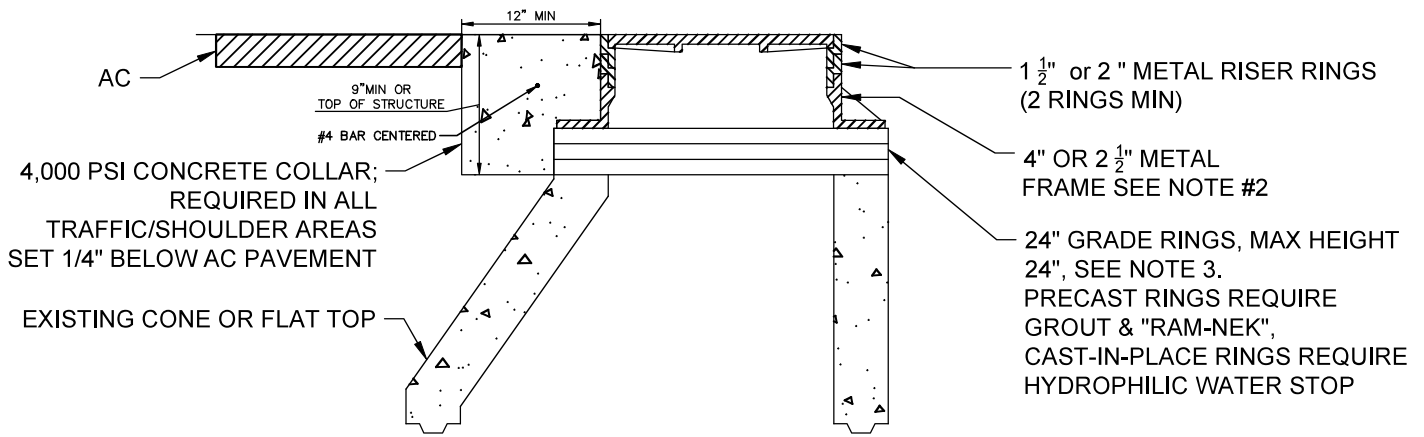
June 4, 2026

Trevor Coolidge, P.E.
Senior Engineer
Ph. (530) 543-6278

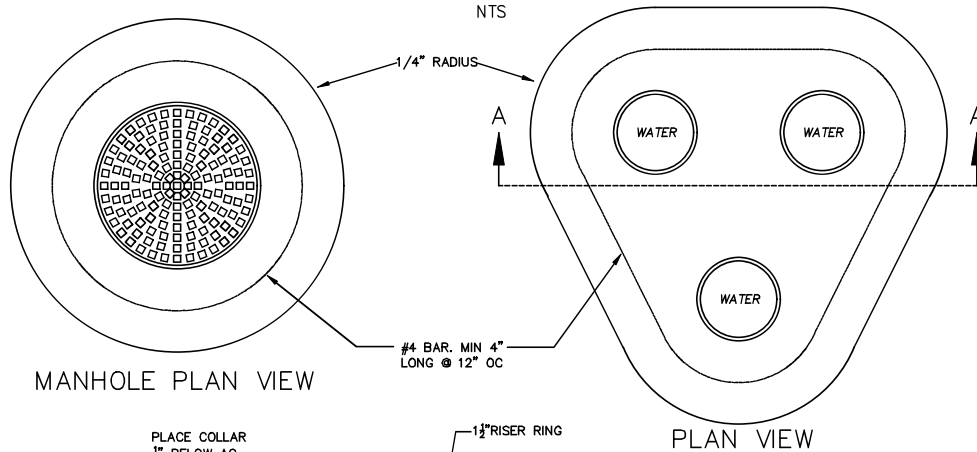


Attached:

Detail 5/D5, EXISTING MANHOLE COVER & VALVE BOX REHABILITATION

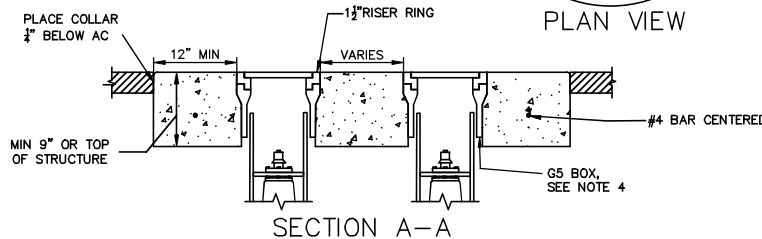


MANHOLE ASSEMBLY PROFILE (TOP SECTION ONLY)



MANHOLE PLAN VIEW

PLAN VIEW



SECTION A-A

CONCRETE COLLAR (VALVE CLUSTER)

NOTES:

- 1) DURING ALL MANHOLE WORK A "PARACHUTE" (MANHOLE DEBRIS CATCHER) MUST BE USED TO COLLECT AND REMOVE ALL DEBRIS FROM MANHOLE. ALL DEBRIS MUST BE REMOVED FROM MANHOLE. AT NO TIME SHALL DEBRIS ENTER THE FLOW CHANNEL OR SEWER PIPE. CONTRACTOR WILL BE HELD RESPONSIBLE FOR ANY DAMAGE OR SEWER SPILLS, INCLUDING ASSOCIATED FINES, IF THEY OCCUR AS A RESULT OF CONSTRUCTION DEBRIS ENTERING THE MANHOLE.
- 2) A TWENTY-FOUR INCH (24") MANHOLE FRAME AND COVER WILL BE SUPPLIED BY THE DISTRICT. THE CONTRACTOR SHALL SALVAGE AND REUSE MANHOLE FRAMES AND RISERS IF POSSIBLE; IF NEW FRAMES AND RISERS ARE REQUIRED THEY WILL BE PROVIDED BY THE DISTRICT. THE CONTRACTOR MAY INSTALL A MAXIMUM OF 3" THICK NON-SHRINK GROUT LEVELING COURSE UNDER THE FRAME TO MATCH THE PAVEMENT GRADE.
- 3) ALL GRADE RINGS SHALL BE MADE OF PORTLAND CEMENT CONCRETE; PVC GRADE RINGS ARE NOT ALLOWED. ALL GRADE RING JOINTS SHALL BE GROUTED WITH NON-SHRINK GROUT HAVING A MINIMUM COMPRESSIVE STRENGTH OF 3000 PSI AT 28 DAYS, CONTAINING AT LEAST 6 SACKS OF CEMENT PER CUBIC YARD, AND HAVING A SLUMP BETWEEN 1 AND 4 INCHES. ALL JOINTS SHALL BE GROUTED INSIDE AND OUT. THE CONTRACTOR SHALL INSTALL JOINT SEALING COMPOUND AT ALL JOINTS AND UNDER THE FRAME, USING "RAM-NEK" BY HENRY COMPANY OR AN APPROVED EQUAL. DISTRICT TO PROVIDE "RAM-NEK".
- 4) REPLACE BROKEN VALVE BOX LIDS, BOXES, RISERS WITH CHRISTY G5, OR EQUAL. ADD RISER TO EVERY BOX REGARDLESS OF EXISTING.
- 5) ALL MATERIALS REQUIRED FOR THE WORK DESCRIBED IN THIS DETAIL SHALL BE PROVIDED BY THE CONTRACTOR UNLESS EXPRESSLY STATED OTHERWISE.

APPROVED BY:

Megan Colvey

MEGAN COLVEY, DISTRICT ENGINEER
P.E. NO. C74708

EXISTING MANHOLE COVER &
VALVE BOX REHABILITATION

STANDARD DETAIL

DATE: 03/16/2026

SCALE: NTS

